

16

1614 05

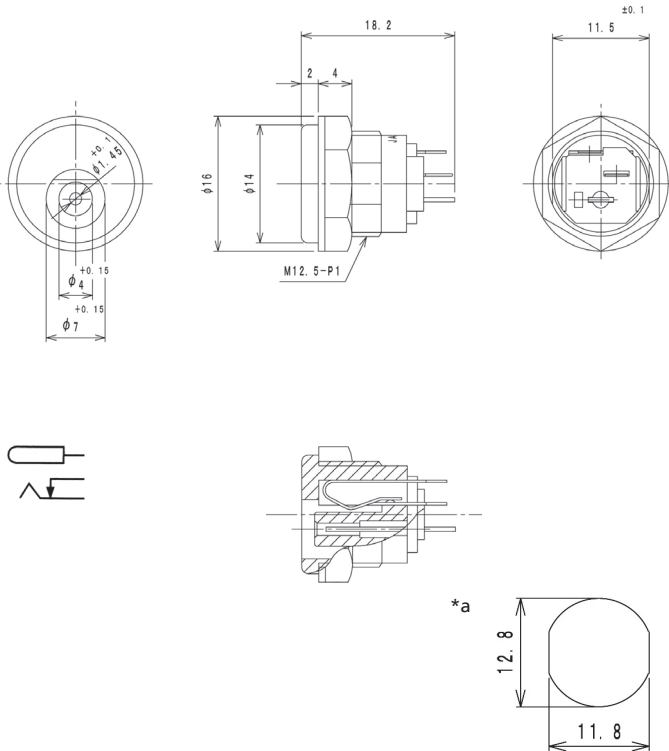
Power supply connectors



Power supply chassis socket acc. to JEITA RC-5320A JSBJ5, straight version, with break contact and solder eyes, for front side mounting

16

1614 05



*a port in mounting plate

Environmental conditions

Temperature range -20 °C/+70 °C

Materials

Insulating body	ABS, HB according to UL94
Contact	Cu alloy, silver-plated/tin-plated
Insulation	PBT (may be PF in a transitional phase)
Hexagonal nut	PA


Mechanical data

Diameter opening	7,0 mm
Diameter insulation	4,0 mm
Diameter central hole	1,45 mm
Mating cycles	≥ 5000
Insertion force	≤ 30 N
Withdrawal force	3–30 N

Electrical data (at T_{amb} 20 °C)

Contact resistance	≤ 30 mΩ
Rated current	2 A
Rated voltage	18 V DC
Rated impulse voltage	500 V/60 s
Insulation resistance	≥ 100 MΩ

Associated products

Counterparts
 1636 05

16

1614 05

Designation	Pole Number	PU (Pieces)	MDQ (Pieces)
1614 05	2	250	500

Packaging:

in bulk, in a cardboard box or a plastic bag

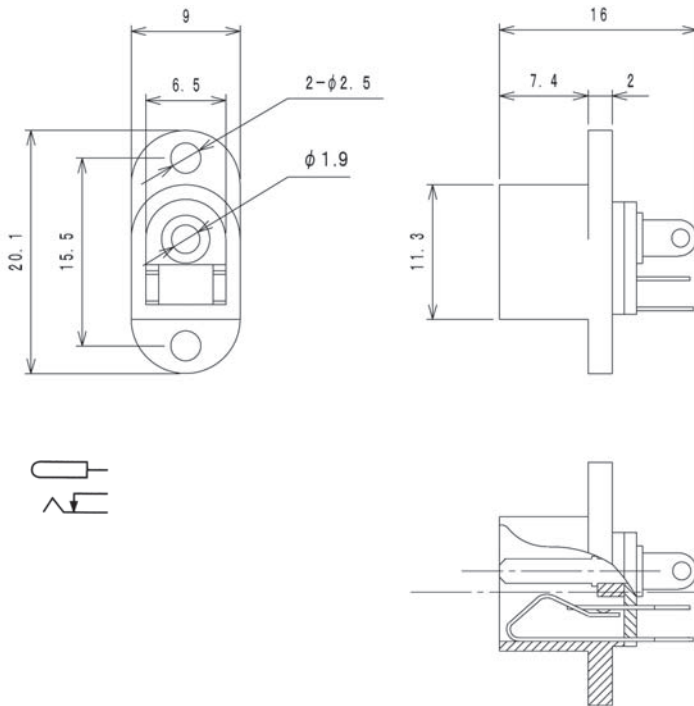
16

NEB/J 21

Power supply connectors



Power supply chassis socket, straight version, with fixing flange, break contact and solder eyes



Environmental conditions

Temperature range -20 °C/+70 °C

Materials

Insulating body POM, HB according to UL94
 Contact Cu alloy, nickel-plated/silver-plated
 Insulation PBT (may be PF in a transitional phase)

Mechanical data

Diameter opening 6,5 mm
 Diameter center pin 1,9 mm
 Mating cycles ≥ 5000
 Insertion force 4–20 N
 Withdrawal force 3–15 N

Electrical data (at T_{amb} 20 °C)

Contact resistance ≤ 30 m Ω
 Rated current 0,5 A
 Rated voltage 12 V DC
 Rated impulse voltage 500 V/60 s
 Insulation resistance ≥ 100 M Ω

Associated products

Counterparts
 ☞ 1633 02 ☞ 1633 03 ☞ NES/J 21
 ☞ NES/J 21 W ☞ NES/J 210 ☞ XNES/J 210

16

NEB/J 21

Designation	Pole Number	PU (Pieces)	MDQ (Pieces)
NEB/J 21	2	250	750

Packaging:

in bulk, in a cardboard box or a plastic bag

16

NEB/J 21 C

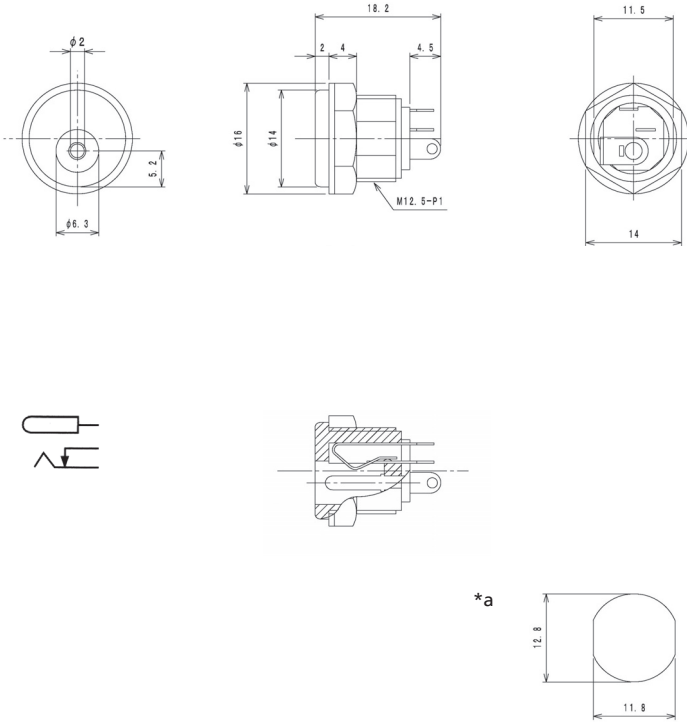
Power supply connectors



Power supply chassis socket, straight version, with break contact and solder eyes, for front side mounting

16

NEB/J 21 C



*a port in mounting plate

Environmental conditions

Temperature range -20 °C/+70 °C

Materials

Insulating body ABS, HB according to UL94
 Contact CuZn/CuSn, nickel-plated/silver-plated
 Insulation PBT (may be PF in a transitional phase)
 Hexagonal nut PA

Mechanical data

Diameter opening 6,3 mm
 Diameter center pin 2,0 mm
 Mating cycles ≥ 5000
 Insertion force $\leq 30 \text{ N}^1$
 Withdrawal force 3–30 N¹

¹ measured with a gauge plug

Electrical data (at T_{amb} 20 °C)

Contact resistance $\leq 30 \text{ m}\Omega$
 Rated current 0,5 A
 Rated voltage 12 V DC
 Rated impulse voltage 500 V/60 s
 Insulation resistance $\geq 100 \text{ M}\Omega$

Associated products

Counterparts
 ↗ 1633 02 ↗ 1633 03 ↗ NES/J 21
 ↗ NES/J 21 W ↗ NES/J 210 ↗ XNES/J 210

16

NEB/J 21 C

Designation	Pole Number	PU (Pieces)	MDQ (Pieces)
NEB/J 21 C	2	250	750

Packaging:

in bulk, in a cardboard box or a plastic bag

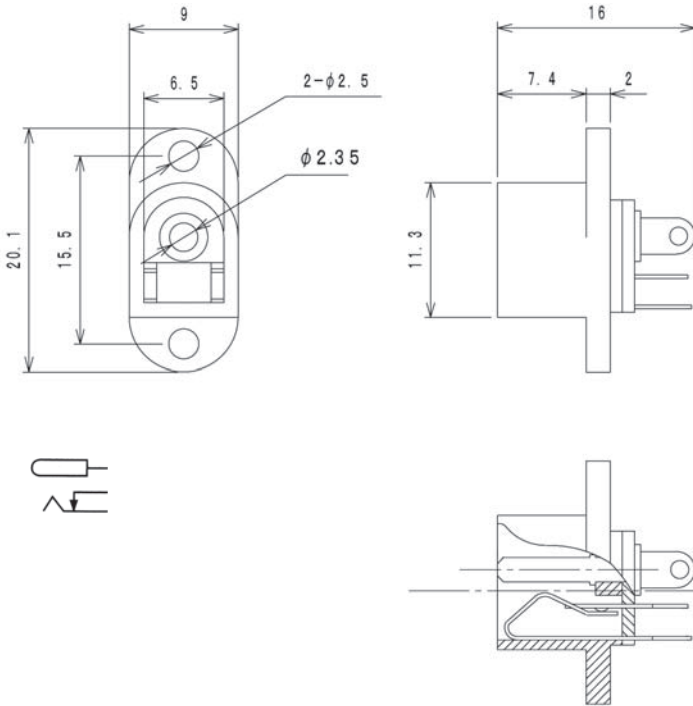
16

NEB/J 25

Power supply connectors



Power supply chassis socket, straight version, with fixing flange, break contact and solder eyes



Environmental conditions

Temperature range -25 °C/+70 °C

Materials

Insulating body POM, HB according to UL94
 Contact Cu alloy, nickel-plated/silver-plated
 Insulation PBT (may be PF in a transitional phase)

Mechanical data

Diameter opening 6,3 mm
 Diameter center pin 2,35 mm
 Mating cycles ≥ 5000
 Insertion force 4–20 N¹
 Withdrawal force 3–15 N¹

¹ measured with a gauge plug

Electrical data (at T_{amb} 20 °C)

Contact resistance ≤ 30 m Ω
 Rated current 1 A
 Rated voltage 12 V DC
 Rated impulse voltage 500 V/60 s
 Insulation resistance ≥ 100 M Ω

Associated products

Counterparts
 ☞ 1614 20 ☞ 1633 04 ☞ 1634 02
 ☞ NES/J 25 ☞ NES/J 250 ☞ XNES/J 250

16

NEB/J 25

Designation	Pole Number	PU (Pieces)	MDQ (Pieces)
NEB/J 25	2	250	750

Packaging:

in bulk, in a cardboard box or a plastic bag

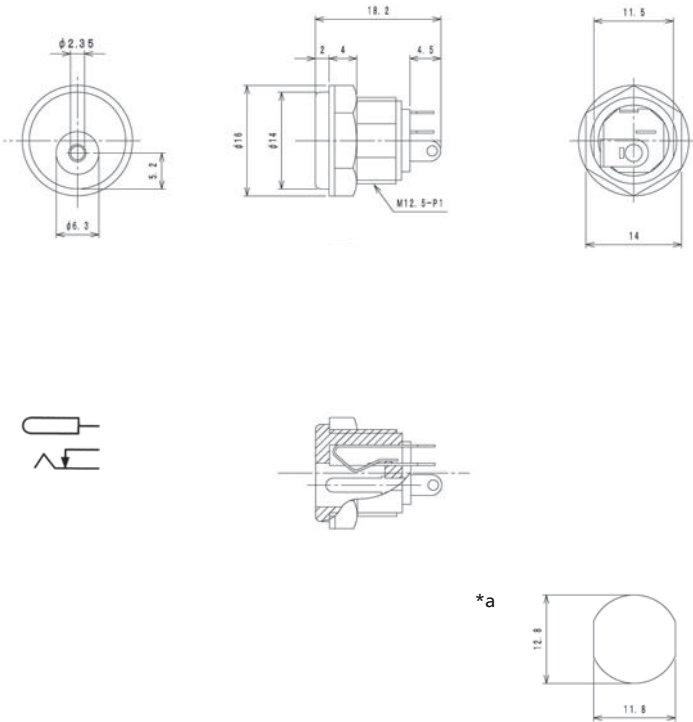
16

NEB/J 25 C

Power supply connectors



Power supply chassis socket, straight version, with break contact and solder eyes, for front side mounting



*a port in mounting plate

Environmental conditions

Temperature range -25 °C/+70 °C

Materials

Insulating body ABS, HB according to UL94
 Contact CuZn/CuSn, nickel-plated/silver-plated
 Insulation PBT (may be PF in a transitional phase)
 Hexagonal nut PA

Mechanical data

Diameter opening 6,3 mm
 Diameter center pin 2,35 mm
 Mating cycles ≥ 5000
 Insertion force $\leq 30 \text{ N}^1$
 Withdrawal force 3–30 N¹

¹ measured with a gauge plug

Electrical data (at T_{amb} 20 °C)

Contact resistance $\leq 30 \text{ m}\Omega$
 Rated current 1 A
 Rated voltage 12 V DC
 Rated impulse voltage 500 V/60 s
 Insulation resistance $\geq 100 \text{ M}\Omega$

Associated products

Counterparts
 ↗ 1633 04 ↗ 1634 02 ↗ NES/J 25
 ↗ NES/J 250 ↗ XNES/J 250

16

NEB/J 25 C

Designation	Pole Number	PU (Pieces)	MDQ (Pieces)
NEB/J 25 C	2	250	750

Packaging:

in bulk, in a cardboard box or a plastic bag