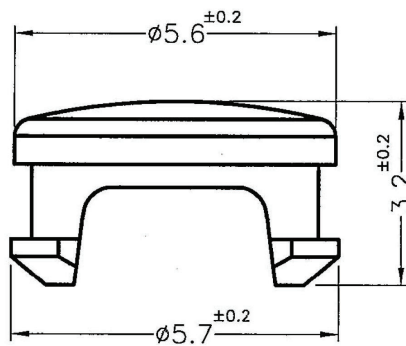


MOUNTING HOLE $\phi 6.35^{\pm 0.05}$

NOTE:MADE OF EQUIVALENT MATERIAL.

Toby Electronics Ltd
 www.toby.co.uk
 sales@toby.co.uk

	DATE	2004.08.16	TITLE	LENS CAP		DWG. NO.	PART NO.	
	DRAWN	Linda	MATERIAL	PC UL94V-2		LC5-3	LC5-3	
	CHECKED	林祺翔	COLOR	TRANSPARENT	FINISH	SIZE	SPEC. DWG.	REV
	APPROVED	Kang	UNLESS OTHERWISE SPECIFIED TOLERANCE: SEE ABOVE		A4	A		
DO NOT SCALE DRAWING					SCALE: 5:1	UNIT	mm	SHEET 1 OF 1



MOUNTING HOLE: $\phi 5\text{mm}^{+0.2}_0$
 THICKNESS: 1.3mm

PART NO.	MATERIAL
LC5-8	PC UL94V-2

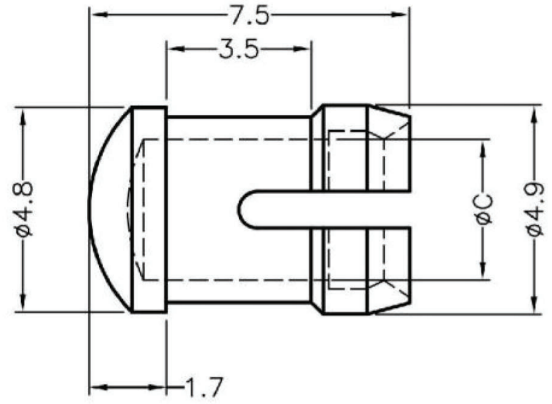
NOTE:MADE OF EQUIVALENT MATERIAL.

Toby Electronics Ltd
 www.toby.co.uk
 sales@toby.co.uk

	DATE	2013.09.11	TITLE	LIGHT PIPE	DWG. NO.	LC5-8	PART NO.	SEE ABOVE	
	DRAWN	ALBERT	MATERIAL	SEE ABOVE	SIZE	A4	SPEC. DWG.	REV	
	CHECKED		COLOR	TRANSPARENT	FINISH			C	
	APPROVED		UNLESS OTHERWISE SPECIFIED TOLERANCE:	SEE ABOVE	SCALE:	8:1	UNIT	mm	SHEET 1 OF 1
DO NOT SCALE DRAWING									



CHASSIS $\phi 4.4$
THICKNESS 1.57~3.2



C
3.3

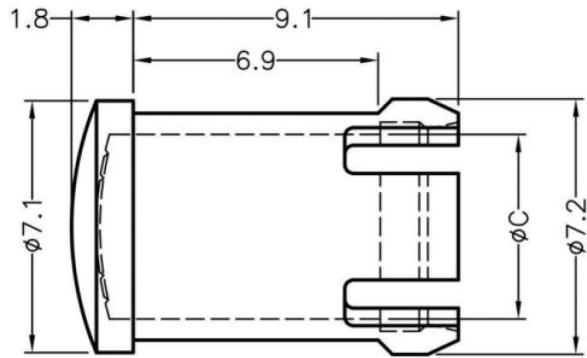
the **vital**
component

PART NUMBER		LC3-1		SPEC. DWG.	
TITLE					
LENS CAP					
MATERIAL			COLOR		
PC(UL) 94V-2			TRANSPARENT		
SIZE	SCALE	UNIT	CHECK		
A4	2:1	mm	Z.C		



THE VITAL COMPONENT

⚠ This dwg is for reference only, Actual dwg should be based on formal engineering dwg.



CHASSIS $\phi 6.4$
THICKNESS 0.8~6.35

C
5.1

the **vital**
component

PART NUMBER		LC5-1	SPEC. DWG.	
TITLE		LENS CAP		
MATERIAL		PC(UL) 94V-2	COLOR	TRANSPARENT
SIZE	A4	SCALE	2:1	UNIT
			mm	CHECK
				Z.C