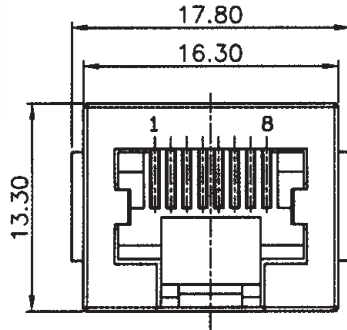
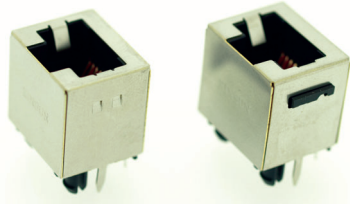
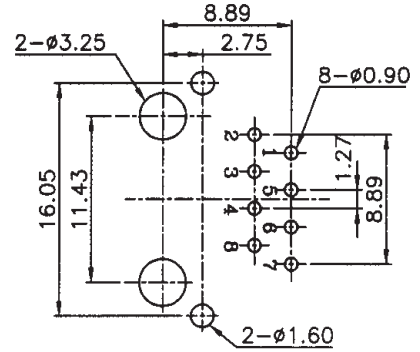


**Top Entry Modular Shielded PCB Jack 3017xS-xxx Series**

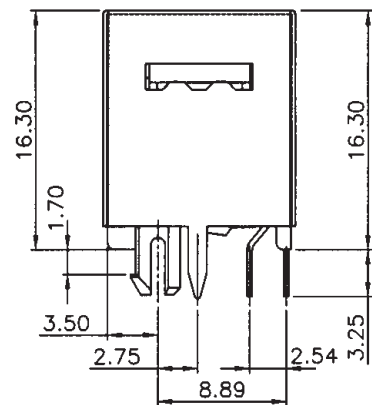
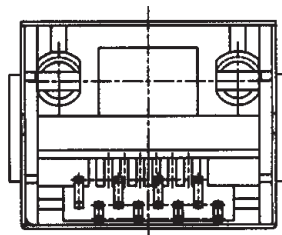
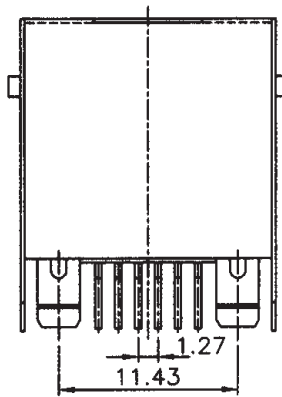
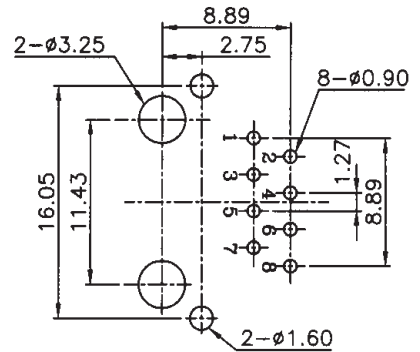
Black Plastic Shielded Type - RoHS Compliant (NOT Hi-Temp Solderable) - Available with(F) or without a Flange (L)



**CAT.5E PCB LAYOUT/TOP VIEW**



**STANDARD PCB LAYOUT/TOP VIEW**



**Ordering Information:**

**3017 F S - 8 8 2 1**

1 2 3 4 5

- |                 |                         |   |
|-----------------|-------------------------|---|
| <b>Option 1</b> | <i>Flange Type</i>      | <b>F</b> = Flanged<br><b>L</b> = Flangeless   |
| <b>Option 2</b> | <i>No. of Positions</i> | <b>6 or 8</b>                                 |
| <b>Option 3</b> | <i>No. of Contacts</i>  | <b>4, 6 or 8</b>                              |
| <b>Option 4</b> | <i>Key Type</i>         | <b>1</b> = With Key<br><b>2</b> = Without Key |
| <b>Option 5</b> | <i>Plating</i>          | <b>1</b> = Selective Gold                     |

**Specification:**

Contact material: Phosphor Bronze  
Contact plating: 6 micron (u") selective gold plated (standard)  
Shield material: Copper alloy / Ni plated  
Housing: Thermoplastic UL94V-0 rated  
Insert Colour: Black

Please note that some options may be subject to a minimum order quantity -  
Please check online @ [www.toby.co.uk](http://www.toby.co.uk) for current stock items

MATERIALS:

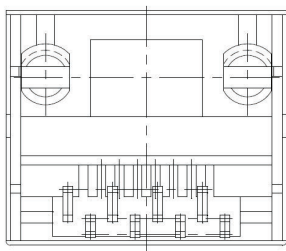
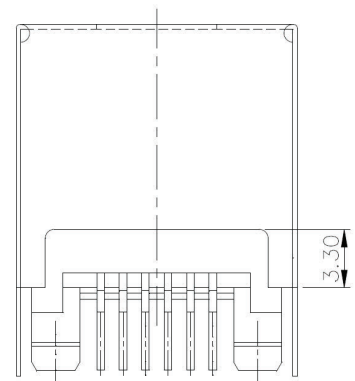
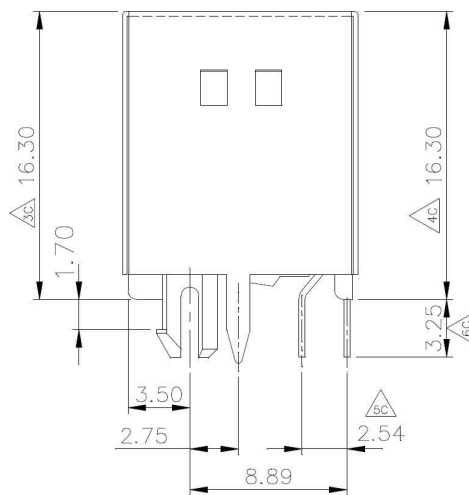
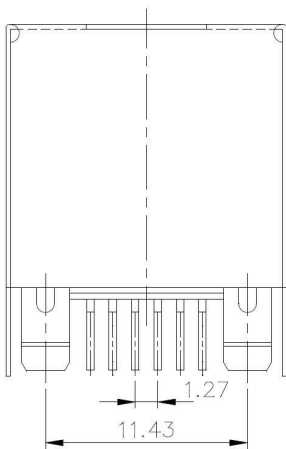
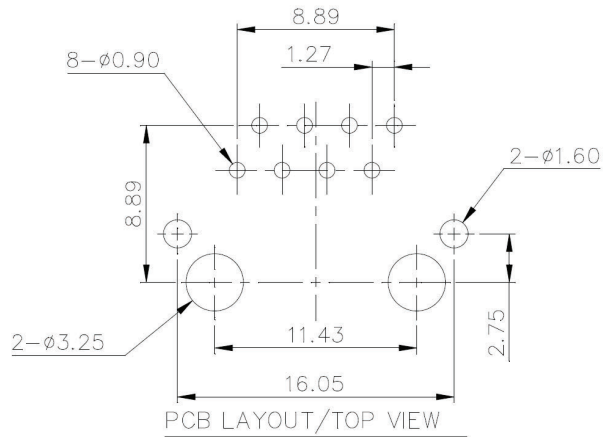
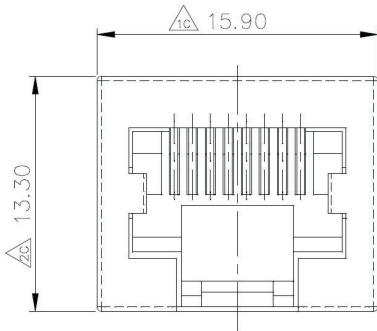
PLASTIC HOUSING: HIGH TEMP. THERMOPLASTIC  
 FLAMMABILITY RATING UL 94V-0.

CONTACTS: PHOSPHOR BRONZE

PLATING: 6u" GOLD PLATING OVER NICKEL IN CONTACT.  
 MATTE TIN PLATING OVER NICKEL IN SOLDER AREA.

SHIELD: BRASS PLATING NICKEL ALLOY.

RoHS COMPLIANT



設計 DR.  
**Purple**  
 2015-04-27

核准 APPD.  
**Marco**  
 2015-04-27

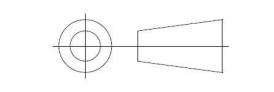
容許公差 TOLERANCE  
 .XXX ±0.10  
 .XX ±0.25  
 .X ±0.38  
 X ±0.50  
 ANG ±3°

品名  
 ARTICLE **TOP ENTRY PCB JACK(8P&C)**

圖號  
 DWG NO. **3017LS-8821-HT**

版本說明 REVISION NOTE  
 --依E303-1502009設變修改為霧錫--

TOBY ELECTRONICS LTD  
 www.toby.co.uk | sales@toby.co.uk



單位 UNIT 比例 SCALE 張數 SHEET 版本 REV.  
 mm 2.5/1 1/1 D