



Lumberg Connect GmbH · Im Gewerbepark 2 · 58579 Schalksmühle · Germany

Lumberg Connect GmbH

Stache, Lukas
T +49 2355 83-164
stache.lukas@lumberg.com

21.12.2022

Product Change Notification

Product change notification: 10715

Herewith Lumberg Connect GmbH wants to inform you about the following product discontinuation.

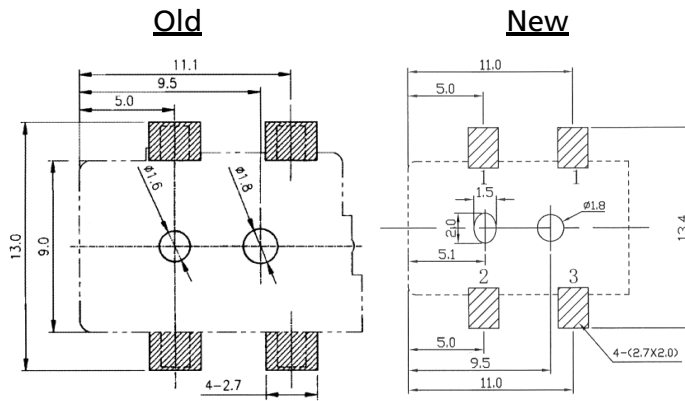
Mit diesem Schreiben möchte die Lumberg Connect GmbH sie über die Abkündigung eines Lumberg Produktes informieren.

Product description Produktbeschreibung	1613 14 VP3 1613 15 VP3
Change description Änderungsbeschreibung	Part discontinuation Produktabkündigung
Reason for change Grund der Änderung	Part discontinuation from partner Produktabkündigung des Lieferanten
Estimated dates Voraussichtliche Termine	Orders from now Bestellung ab sofort
Last order date (obsolete parts/obsolete Artikel)	X X
First delivery (changed parts/geänderte Artikel)	X X
Last ship date (obsolete parts/obsolete Artikel)	Based on current stock level In Abhängigkeit zum aktuellen Lagerbestand
Last mixed delivery (changed parts) Letzte Mischlieferung (geänderte Artikel)	X X

Part no.	Part description	Part discontinued with this PCN	Part no. new	Part description new
79974	1613 14 VP3	YES	164261	1613 28 VP3
98197	1613 15 VP3	YES	164262	1613 29 VP3

**Geometrical and technical differences:
1613 14 VP 3 - 1613 28 VP3 (Old) and
1613 15 VP3 - 1613 29 VP3 (New)**

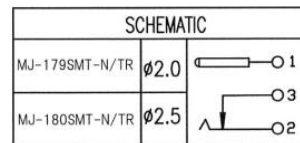
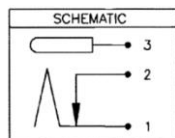
PCB Layout and contact assignment



RECOMMENDED PADS LAYOUT
<TOP VIEW>

T:1.6 Dimensions of PC board holes
Tolerance : ±0.05(Printed-top view)

NOTE : TOLERANCE FOR PCB LAYOUT IS ± 0.05



PIN DIA.	TOLER.	PART NO.
2.00	±0.05	MJ179SMT
2.45	±0.05	MJ180SMT

Description	finish	
	Old	New
Spring contact	Ag	Sn Plated
Shunt	Ag	Sn Plated
Rivet contact	Ag	Sn Plated
Center pin	Ni	Ni Plated

Technical differences

Description	Old	New
Temperature range	-25°C – 85°C	-25°C – 70°C
Insertion-; Extraction force	3N – 20N	2,94N – 29,4N
Rated current	3,5A	3A
Reflow soldering temperature	245°C	260°C

**Geometrical and technical differences:
1613 14 VP 3 - 1613 28 VP3 (Old) and
1613 15 VP3 - 1613 29 VP3 (New)**

Measurements

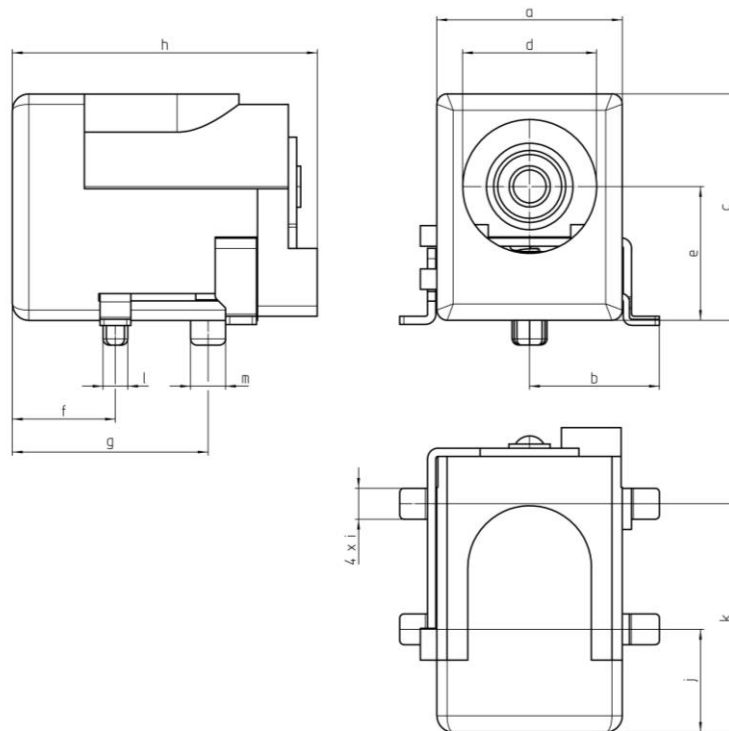


Chart Measurements

Dimension in mm	a	b	c	d	e	f	g	h	i	j	k
Old	9,0	6,3	11,0	6,5	6,5	5,0	9,5	14,8	1,5	5	11,1
New	8,9	6,4	10,9	6,5	6,6	5,1	9,5	14,7	1,5	5	11