

B24 SINGLE ROW FEMALE HEADER DUAL ENTRY TYPE



PITCH: 2.54mm, Height 5mm

SPECIFICATIONS

Material

Insulator : PBT, glass reinforced, rated UL 94V-0

Contact : Phosphor Bronze

Electrical

Current Rating : 1 Amp

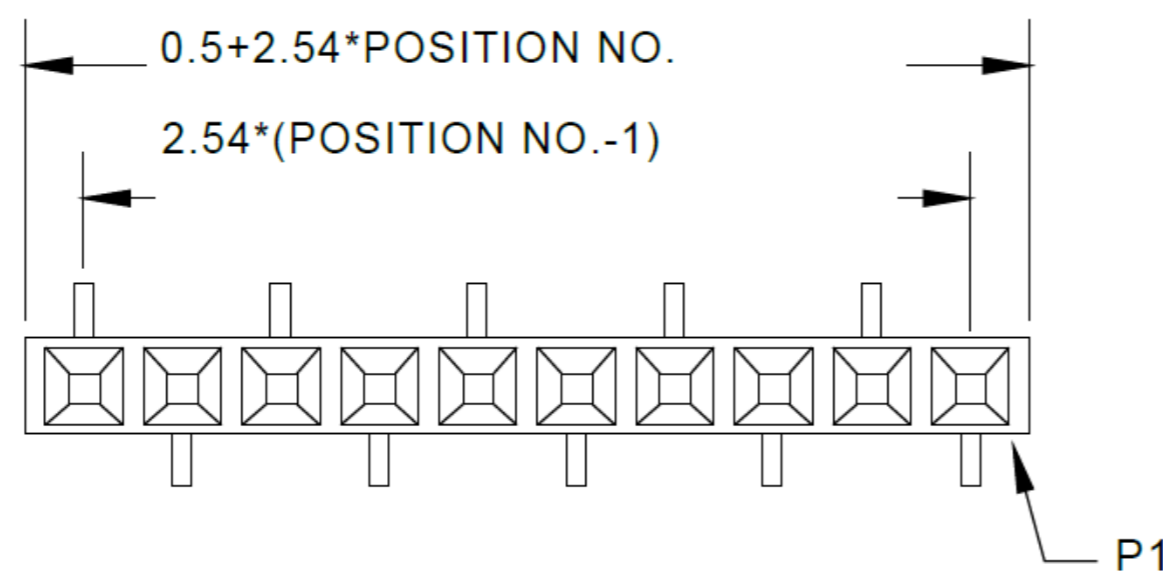
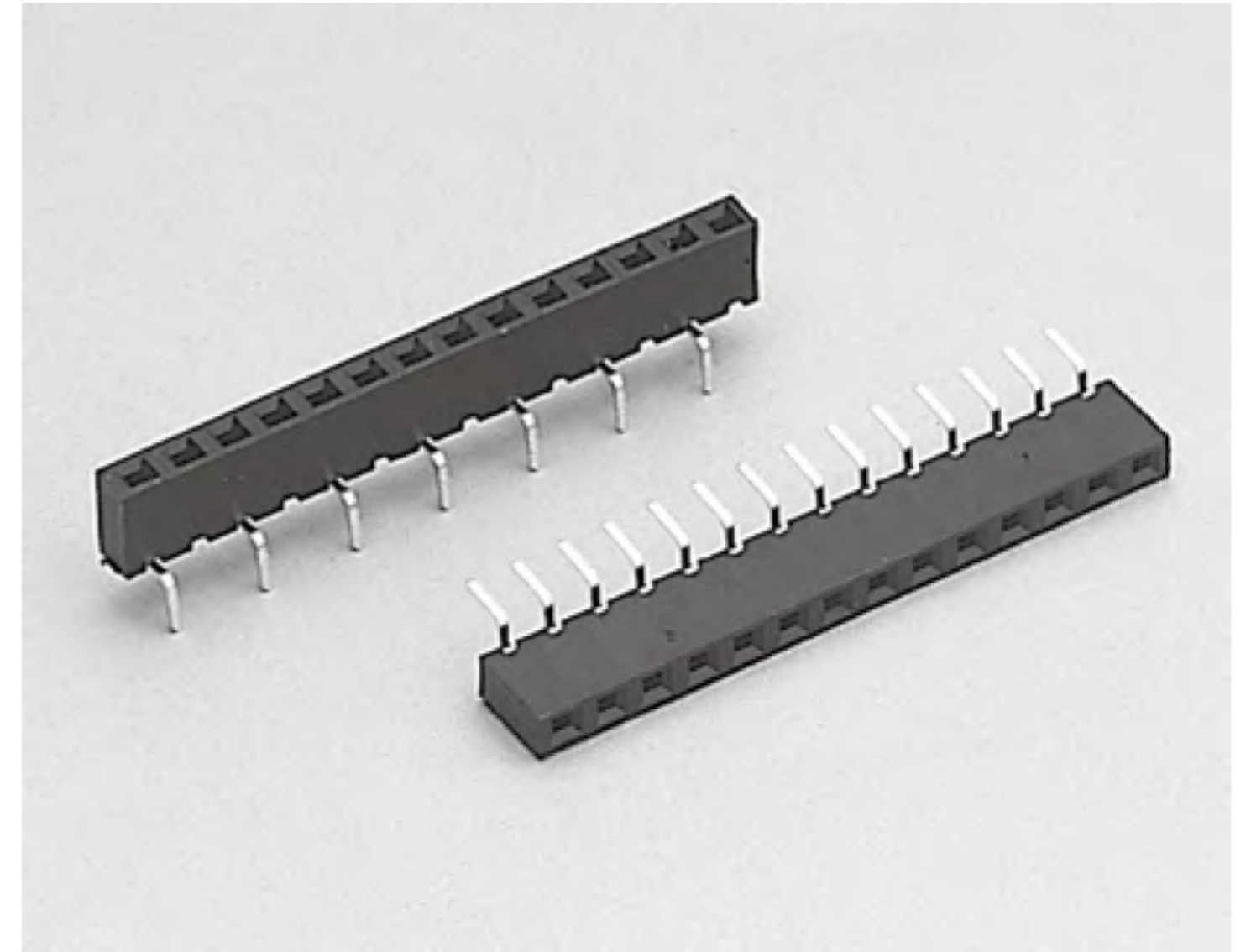
Contact Resistance : 30 mΩ max.

Insulation Resistance : 3000 MΩ min.

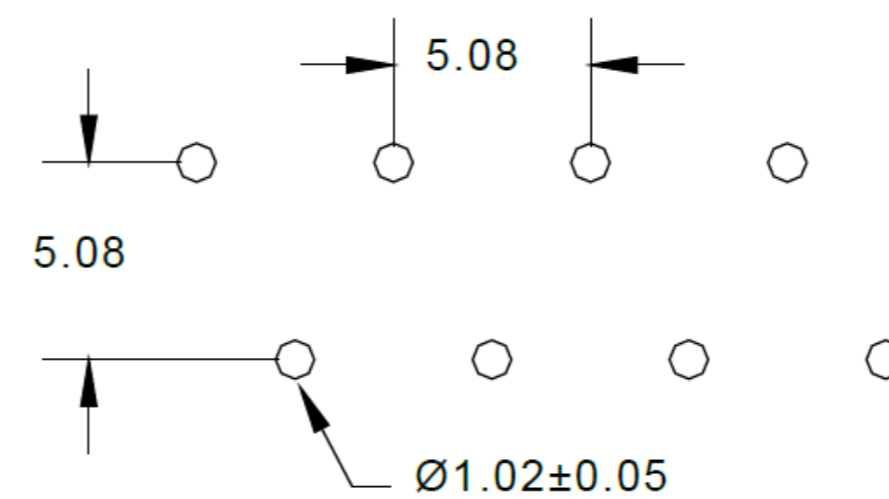
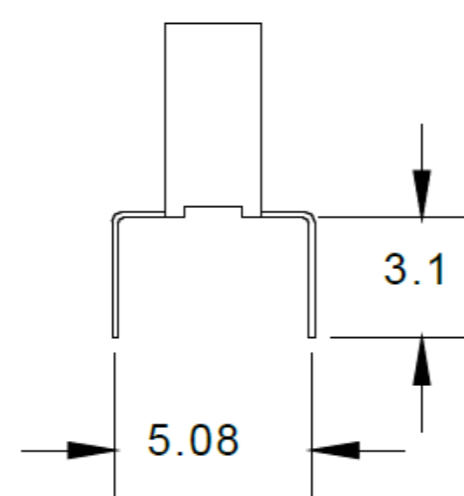
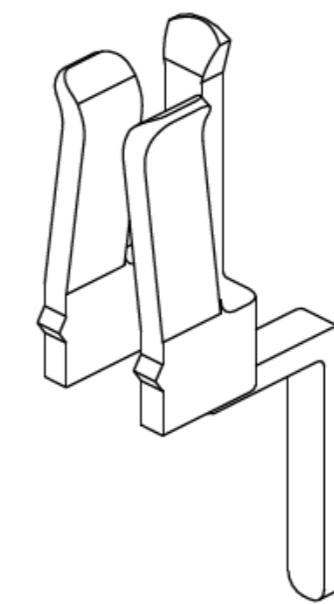
Dielectric Withstanding Voltage : 500V AC for 1minute

Operating Temperature : -40°C to +105°C

► Mating Suggestion : THS, VBSS, VMHS series.



(TYPE B1)



How to order: B24 - 1 - 2 - 3 - 4 - 5 - G(RoHS)

1.NO. OF CONTACT	2.CONTACT MATERIAL	3.CONTACT PLATING	4.FOOT RANK TYPE	5.INSULATOR COLOR
SINGLE ROW 1 *2 - 1 *40	B: PHOSPHOR BRONZE	G: GOLD FLASH	B: TYPE B1	1. BLACK