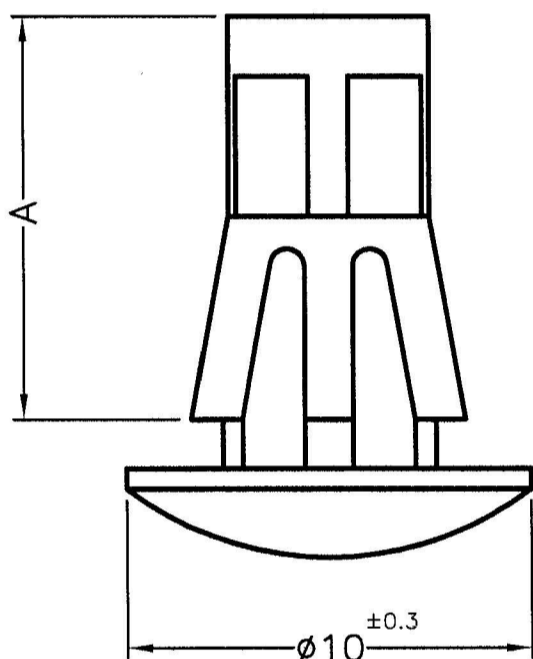


DIM.	TOL
5mm DOWN	±0.2
5~20mm	±0.3
20~40mm	±0.4
40~60mm	±0.5
60~100mm	±0.8
100mm UP	±1.0


REVISIONS			
REV	DESCRIPTION	DATE	BY

HOLE IN CHASSIS:  $\phi 5.5\text{mm}$   
THICKNESS: 1.2~1.8mm

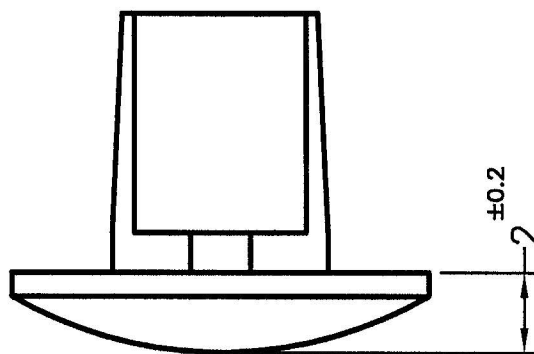
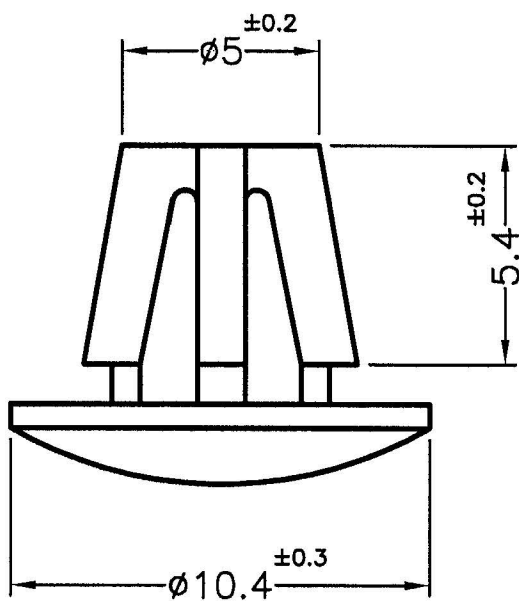


PART NO.	A
RAS-6	6.0
RAS-8	8.0
RAS-10	10.0
RAS-12	12.0
RAS-14	14.0
RAS-18	18.0
RAS-20	20.0

NOTE:MADE OF EQUIVALENT MATERIAL.

				TITLE	SPACER SUPPORT	SPEC. DWG.	
				MATERIAL	NYLON 66 UL94V-2	DATE	2003.11.10
PART NUMBER				FINISH	DRAWN	Linda	
SEE ABOVE				COLOR	NATURAL	CHECK	<i>Will</i>
DRAWING NUMBER				UNLESS OTHERWISE SPECIFIED	TOLERANCE	APPROVED	<i>oh</i>
RAS-H				SEE ABOVE			
SIZE	SCALE	UNIT	REV				
A4	NONE	mm	C				

REVISIONS			
REV	DESCRIPTION	DATE	BY



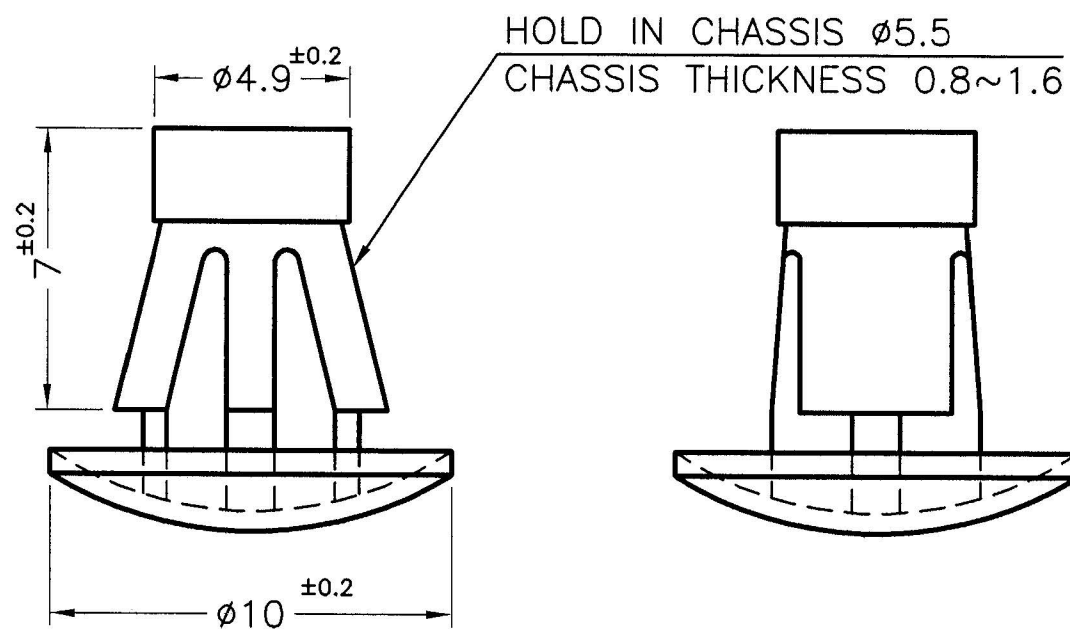
HOLE IN CHASSIS  $\phi 5.5$   
 CHASSIS THICKNESS 1.2~1.8mm

PART NO.	COLOR
RAS-5	NATURAL

NOTE:MADE OF EQUIVALENT MATERIAL.

				TITLE	SPACER SUPPORT	SPEC. DWG.	
				MATERIAL	NYLON 66 UL94V-2	DATE	1998.04.07
PART NUMBER SEE BOVE				FINISH		DRAWN	Linda
				COLOR	SEE ABOVE	CHECK	
SIZE	A4	SCALE	4:1	UNIT	mm	REV	B
DRAWING NUMBER RAS-5				UNLESS OTHERWISE SPECIFIED TOLERANCE	SEE ABOVE	APPROVED	

REVISIONS			
REV	DESCRIPTION	DATE	BY



PART NO.	COLOR
RAS-7	NATURAL

NOTE:MADE OF EQUIVALENT MATERIAL.

				TITLE	SPACER SUPPORT	SPEC. DWG.	
				MATERIAL	NYLON 66 UL94V-2	DATE	1998.06.05
				FINISH		DRAWN	Linda
PART NUMBER		DRAWING NUMBER		COLOR	SEE ABOVE	CHECK	
SEE ABOVE		RAS-7		UNLESS OTHERWISE SPECIFIED TOLERANCE	SEE ABOVE	APPROVED	
SIZE	SCALE	UNIT	REV				
A4	4:1	mm	B				