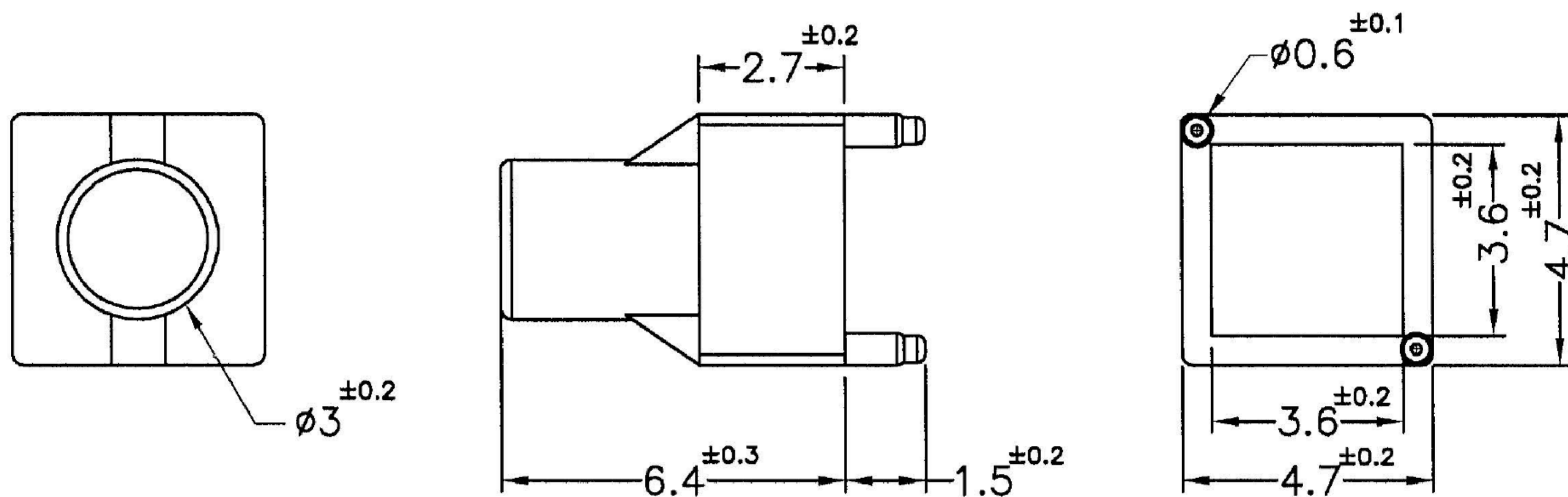
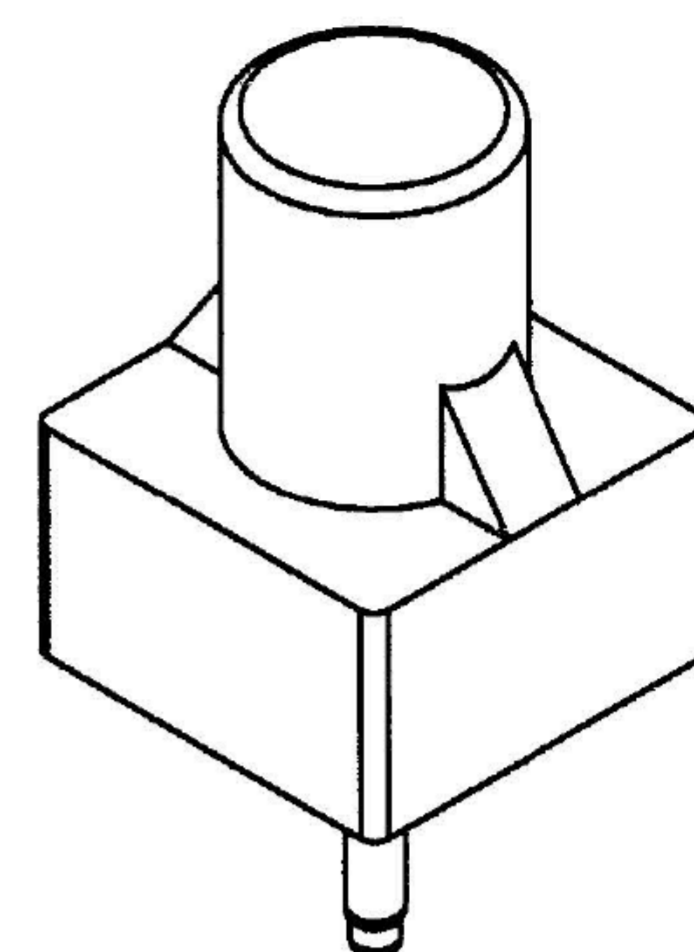
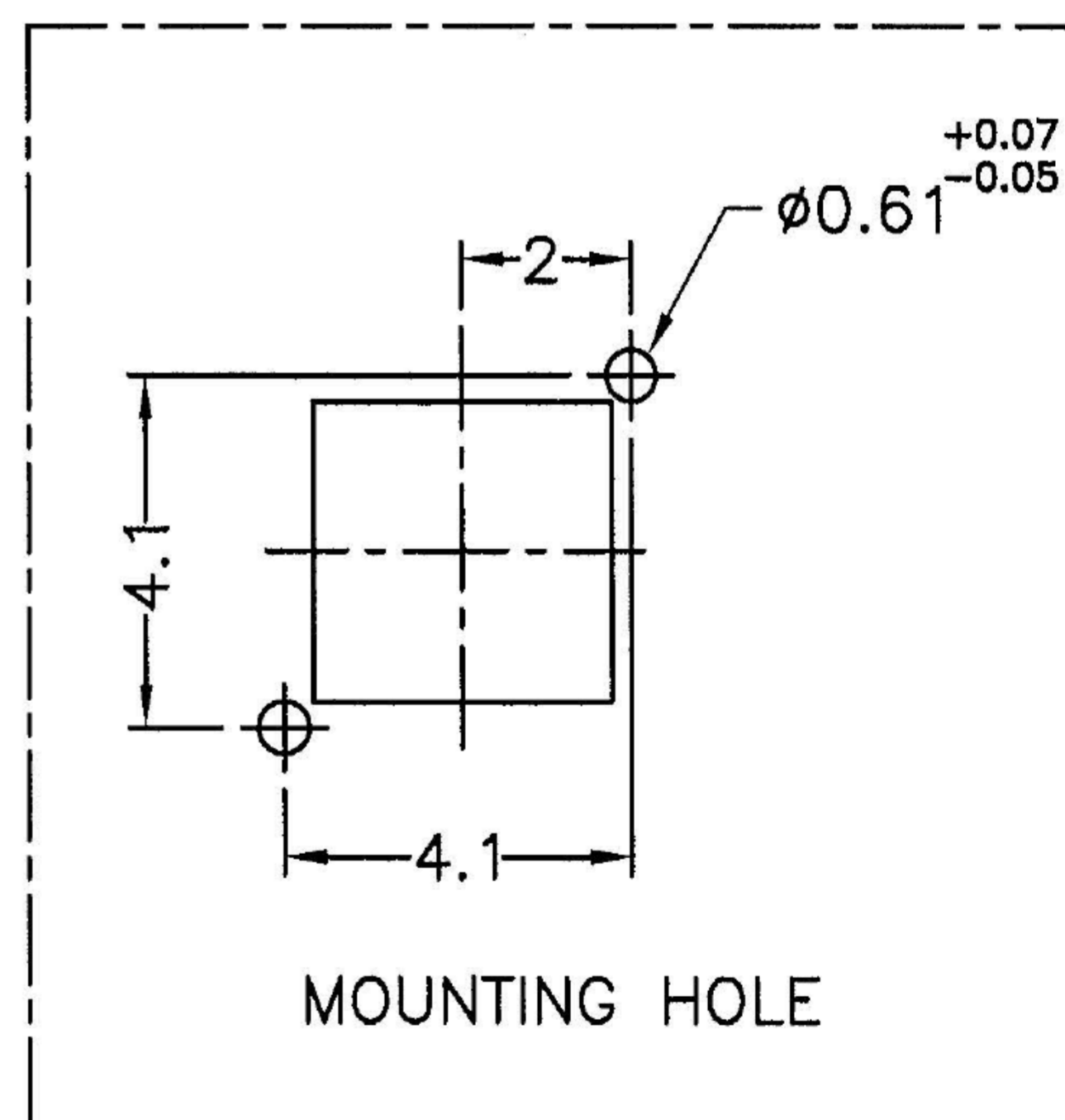


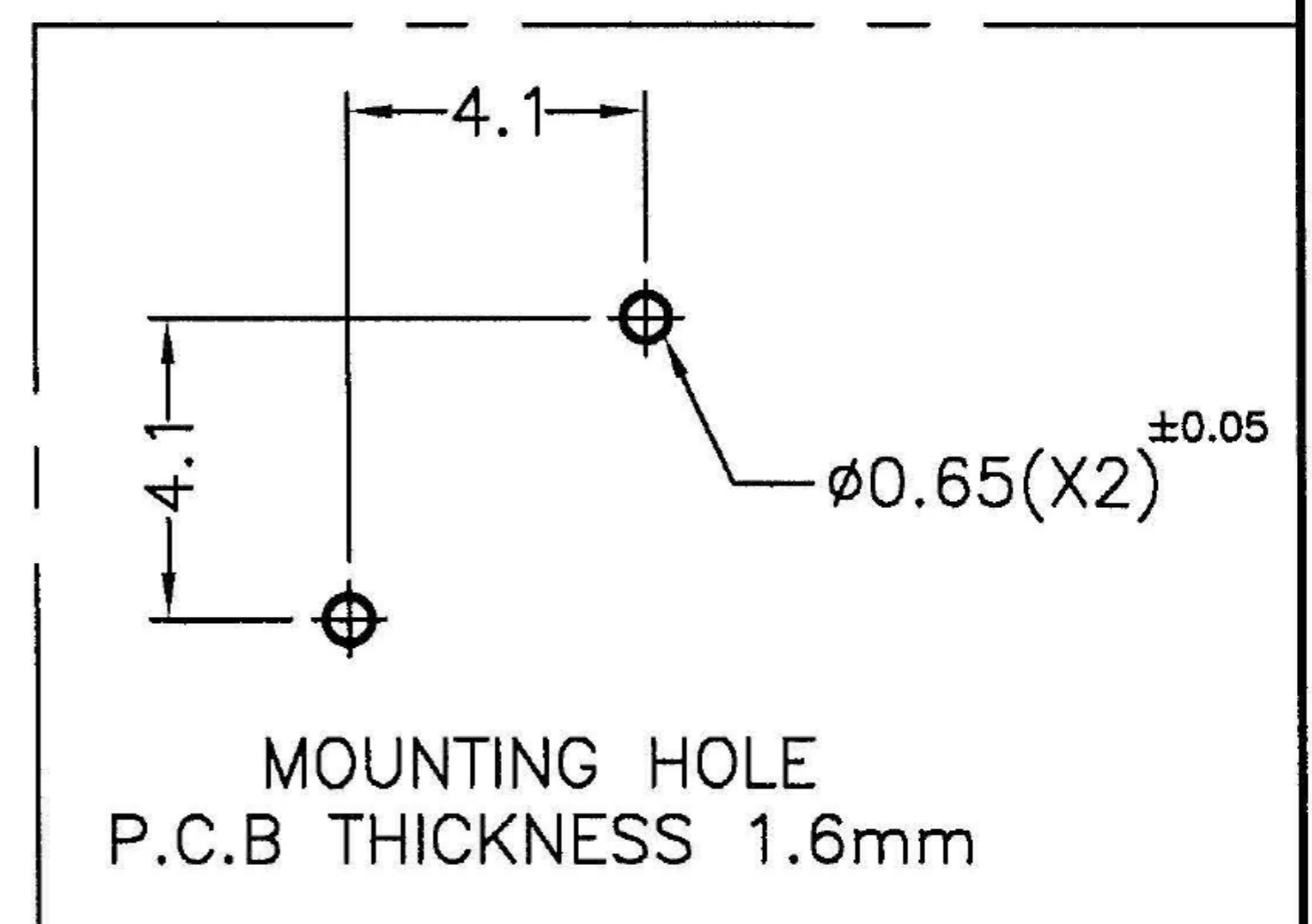
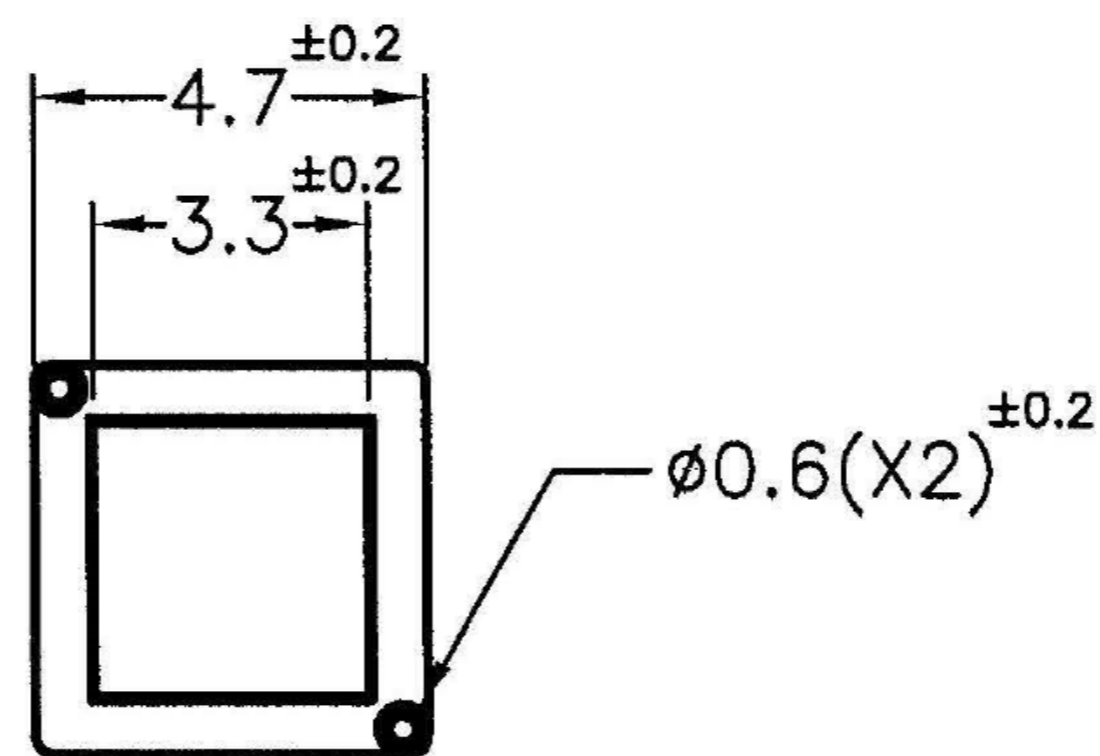
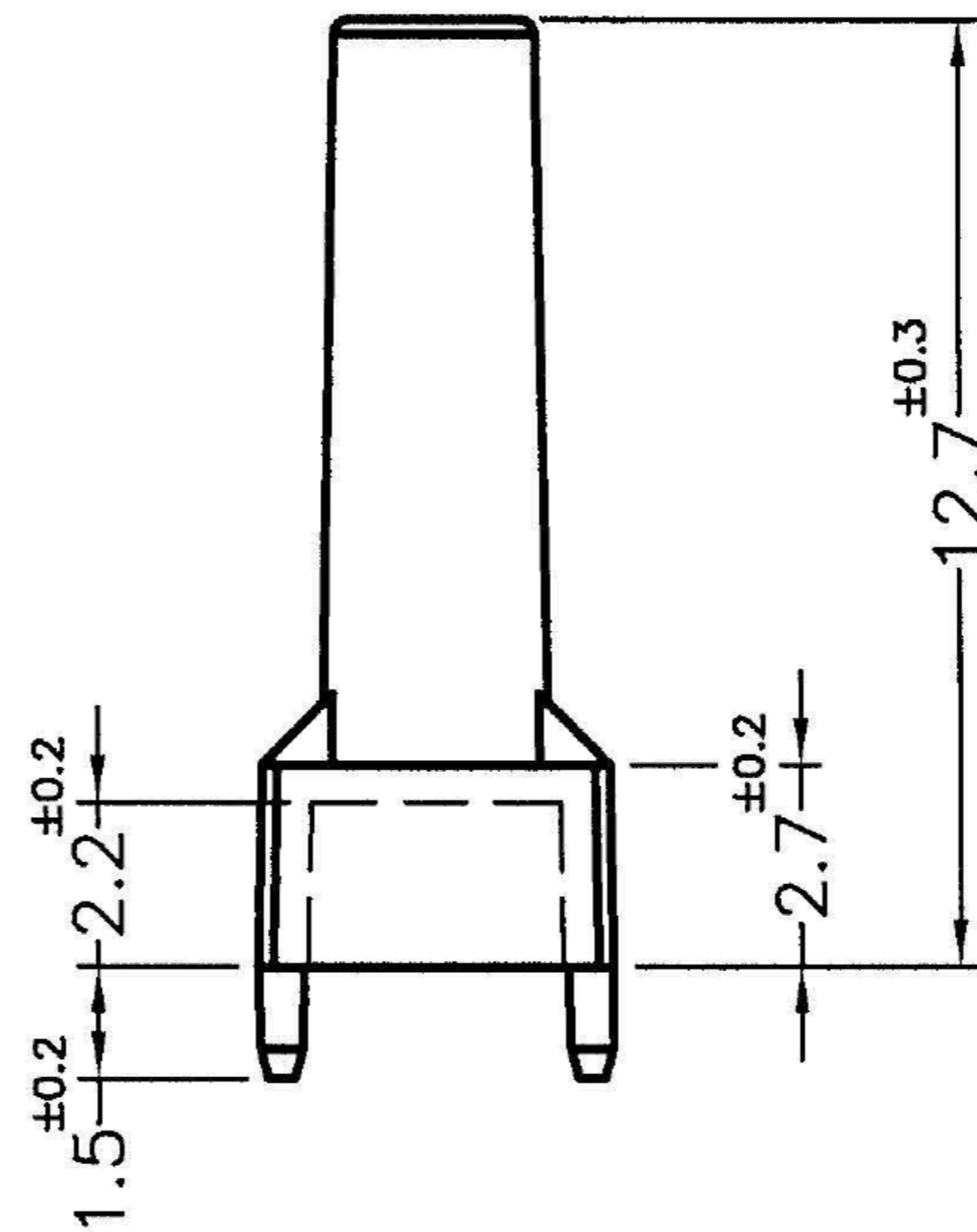
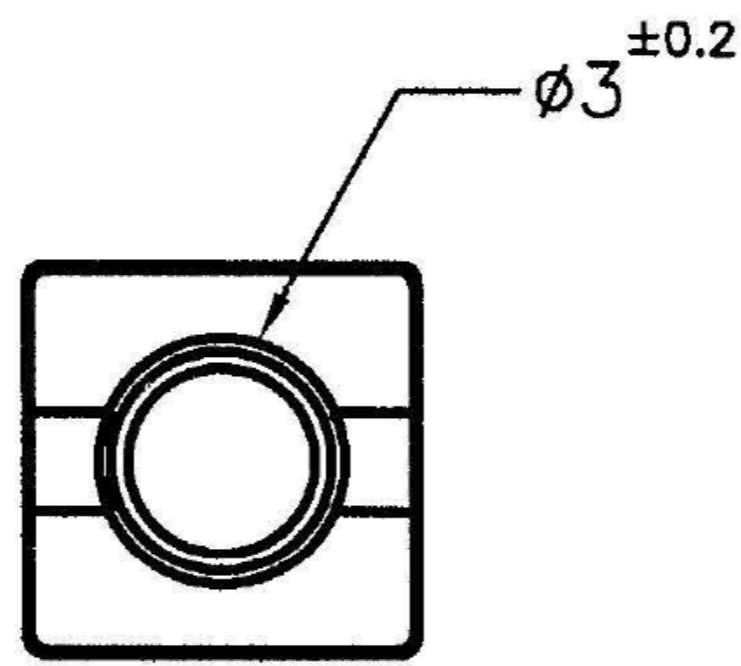
REVISIONS			
REV	DESCRIPTION	DATE	BY



NOTE:MADE OF EQUIVALENT MATERIAL.



Toby Electronics Ltd www.toby.co.uk sales@toby.co.uk				TITLE LIGHT PIPE		SPEC. DWG.	
				MATERIAL PC UL94V-0		DATE 2017.06.29	
PART NUMBER PL2-6.4V0-F				DRAWING NUMBER PL2-6.4V0-F		DRAWN JOE	
				COLOR TRANSPARENT		CHECK 彭永承	
SIZE A4	SCALE 5:1	UNIT mm	REV A	UNLESS OTHERWISE SPECIFIED TOLERANCE SEE ABOVE		APPROVED Kang	



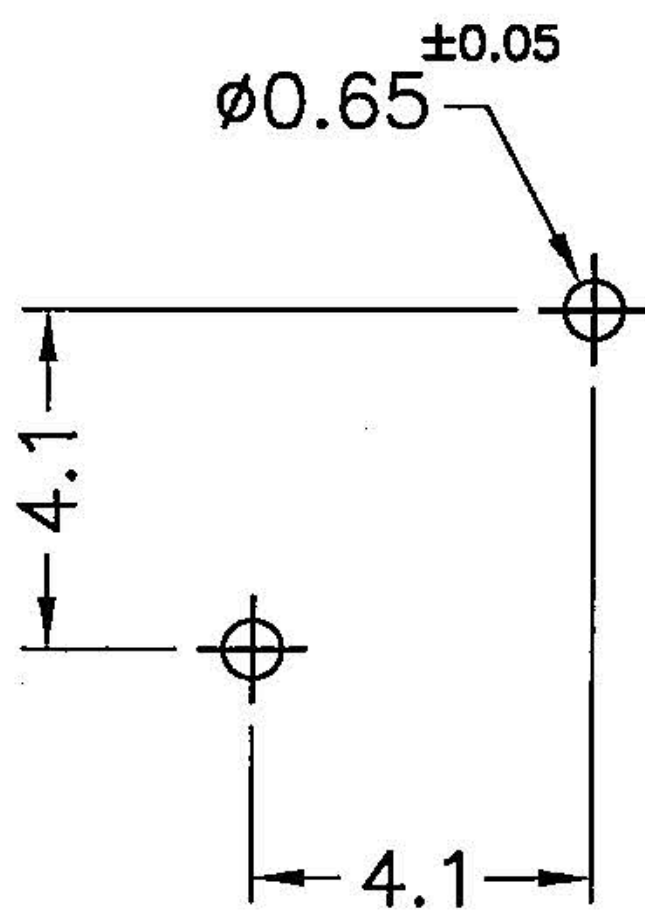
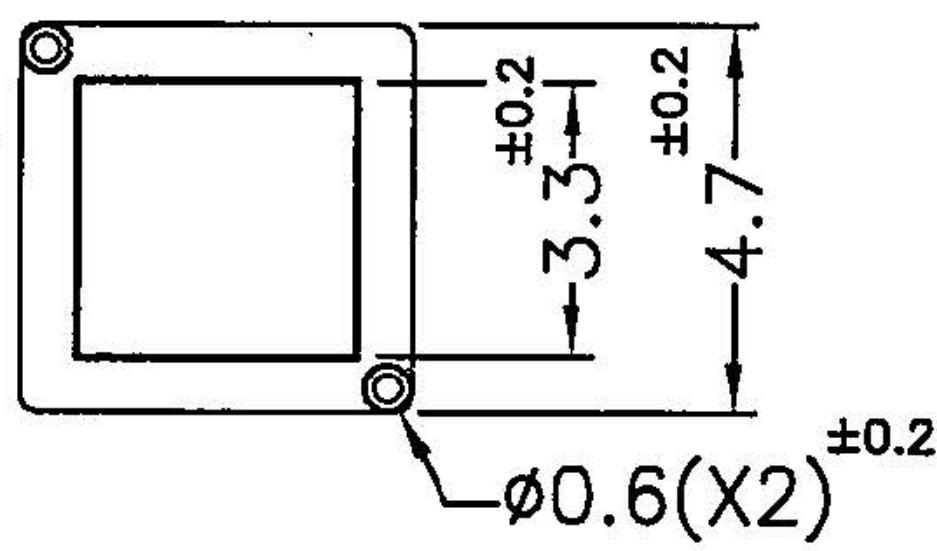
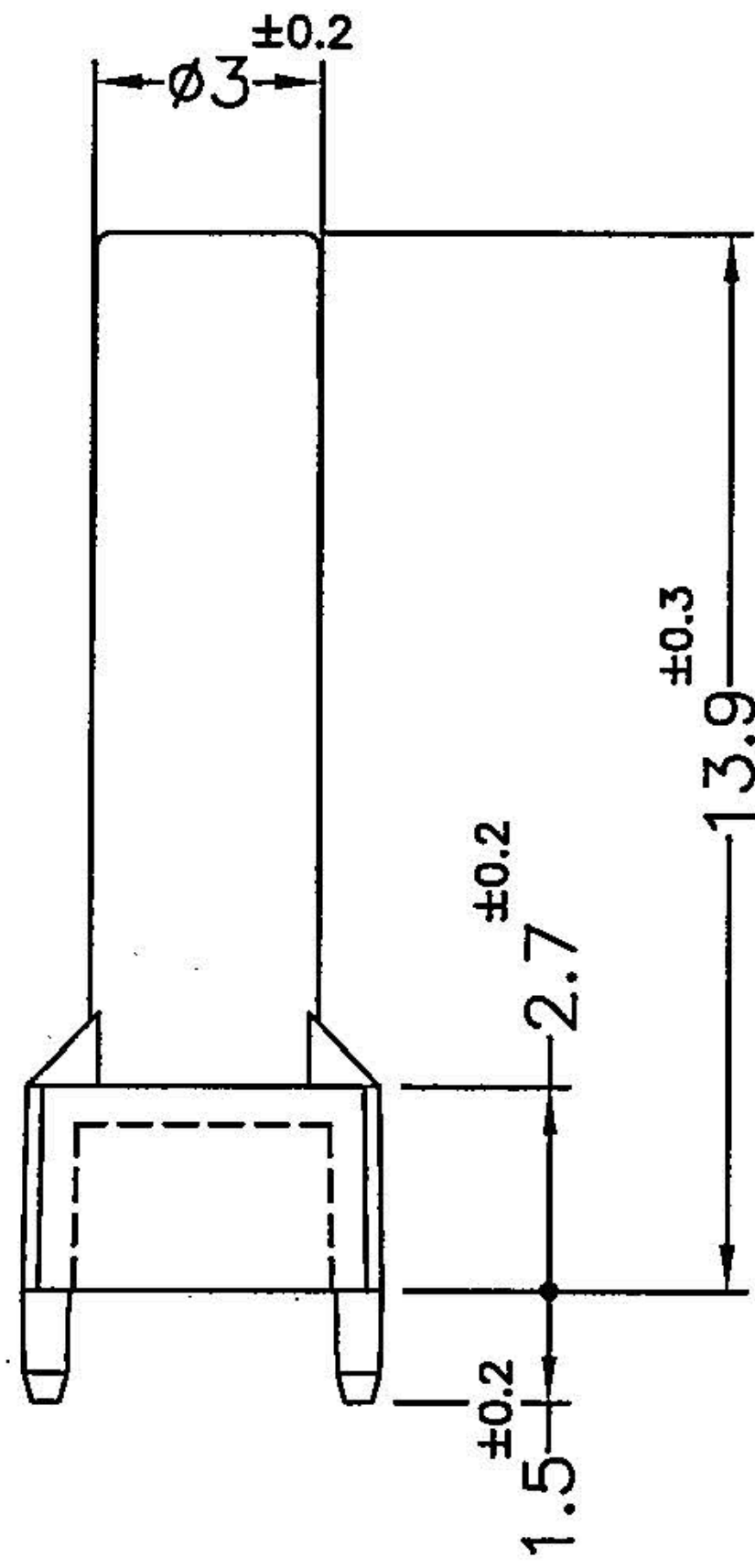
NOTE:MADE OF EQUIVALENT MATERIAL.

Toby Electronics Ltd
www.toby.co.uk | sales@toby.co.uk



	DATE	2019.02.12	TITLE	LIGHT PIPE	DWG. NO.	PL2-12.7-F	PART NO.	PL2-12.7V0-F	
	DRAWN	Louis	MATERIAL	PC UL94V-0	SIZE	A4	SPEC. DWG	REV	A
	CHECKED	<i>Will</i>	COLOR	TRANSPARENT	FINISH				
	APPROVED	<i>Kang</i>	UNLESS OTHERWISE SPECIFIED TOLERANCE: SEE ABOVE		SCALE:	4:1	UNIT	mm	SHEET 1 OF 1

DO NOT SCALE DRAWING



MOUNTING HOLE
P.C.B THICKNESS 1.6mm

PART NO.	MATERIAL
PL2-13.9-F	PC UL94V-2

NOTE:MADE OF EQUIVALENT MATERIAL.

Toby Electronics Ltd
www.toby.co.uk | sales@toby.co.uk

	DATE	2014.02.11	TITLE		LIGHT PIPE		DWG. NO.	PART NO.	
	DRAWN	Emily	MATERIAL		PC UL94V-0		PL2-13.9V0-F		PL2-13.9-F
	CHECKED	李柏霄	COLOR	FINISH	SIZE	SPEC. DWG	REV		
	APPROVED	Kang	TRANSPARENT		A4		A		
DO NOT SCALE DRAWING	UNLESS OTHERWISE SPECIFIED TOLERANCE: SEE ABOVE		SCALE: 4:1	UNIT	mm	SHEET 1 OF 1			