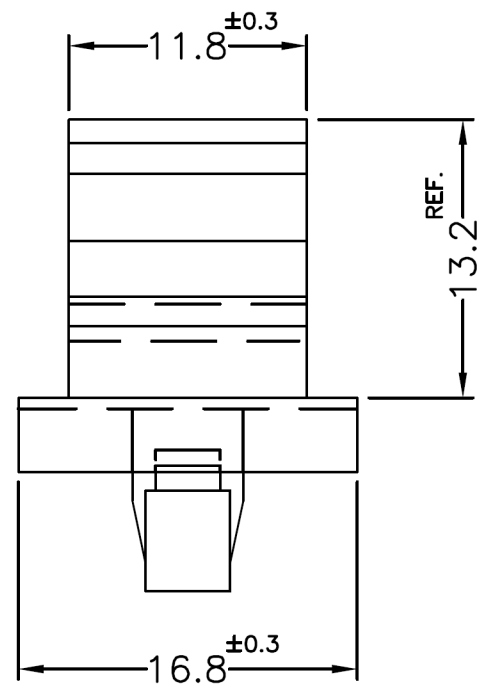
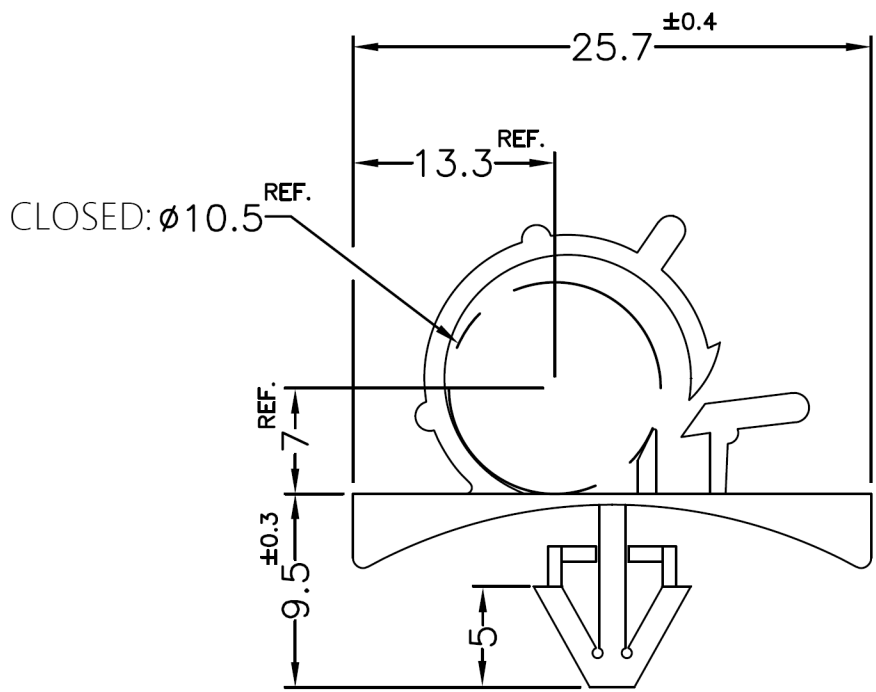



REVISIONS			
REV	DESCRIPTION	DATE	BY



HOLE IN CHASSIS:  $\phi 6.5$   
 CHASSIS THICKNESS: 0.8~1.6

NOTE: MADE OF EQUIVALENT MATERIAL.

				TITLE	WIRE MOUNT	SPEC. DWG.	
				MATERIAL	NYLON 66 UL94V-2	DATE	1997.08.08
				FINISH		DRAWN	JASON
PART NUMBER		DRAWING NUMBER		COLOR	NATURAL	CHECK	
WL-1		WL-1H		UNLESS OTHERWISE SPECIFIED TOLERANCE	SEE ABOVE	APPROVED	
SIZE	SCALE	UNIT	REV				
A4	2:1	mm	A				