

3mm Pitch Wire-to-Board Micro Power

.118"(3.0mm) Wire-to-Wire Crimp Terminal Housing

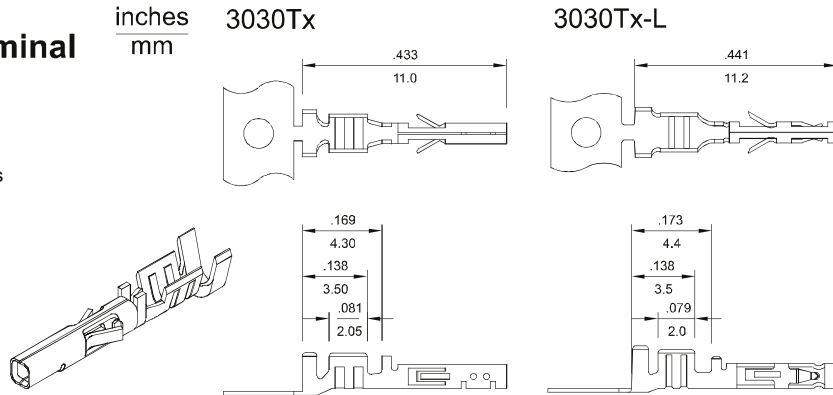
Specifications:

- Voltage rating: 250V AC(RMS) or DC
- Dielectric Strength: 1500V AC/minute
- Current rating:
- Insulation resistance: 1000M Ω Min.
- Contact resistance: 10m Ω Max.
- Temperature rise: 30°C Max.
(carry rated current load)
- UL Approved and CSA Certificated product

Wire size	# 20	# 22	# 24	# 26	# 28	# 30
Ampere	5 A	5 A	4 A	3 A	2 A	1 A

3030T Female Crimp Terminal

- Material: Phosphor bronze
- Finish: Tin Plated
- Use in 3025 Series Housings
- Wire range: AWG #20 ~ #30
- Thickness: 0.2mm



Ordering Information

Part No.		Finished	Wire size
3030T1	3030T1-L	Tin-plated	#26 ~ #30 AWG
3030T2	3030T2-L		#20 ~ #24 AWG

3025-N Series Dual Row Receptacle Housing

- Available in 2 thru 24 circuits
- Material: UL 94V-0 nylon 66
- Standard color: Black
- Accepts 3030Tx,3030Tx-L terminals
- Mates with 3020 Dual Row Series
- Mates with 3045 / 3046 / 3047 / 3048 Dual Row Series

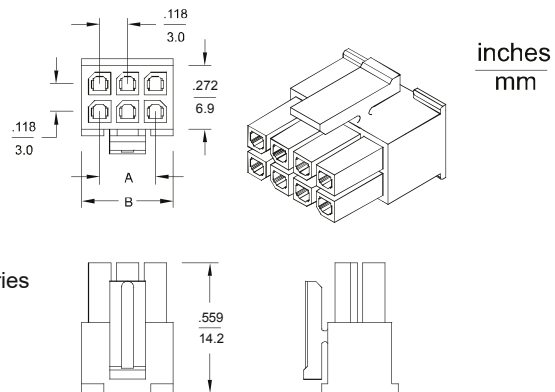
Dimensional Information (mm)

Circuits	Dim. A	Dim. B
N	3 x (N / 2 - 1)	A + 4.25

&& N = 2~24

Ordering Information

Circuits	Description
02-10	Accepts 3030Tx,3030Tx-L
12-24	Accepts 3030Tx-L



.118"(3.0mm) Wire-to-Wire Crimp Terminal Housing

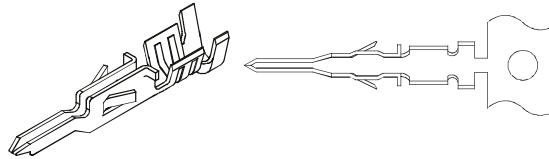
Specifications:

- Voltage rating: 250V AC(RMS) or DC
- Dielectric Strength: 1500V AC/minute
- Current rating:
- Insulation resistance: 1000M Ω Min.
- Contact resistance: 10m Ω Max.
- Temperature rise: 30°C Max. (carry rated current load)
- UL Approved and CSA Certificated product

Wire size	# 20	# 22	# 24	# 26	# 28	# 30
Ampere	5 A	5 A	4 A	3 A	2 A	1 A

3031T Male Crimp Terminal

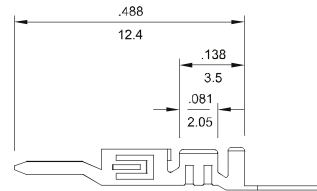
- Material: Phosphor bronze
- Finish: Tin Plated
- Use in 3025 Series Housings
- Wire range: AWG #20 ~ #30
- Thickness: 0.2mm



inches
mm

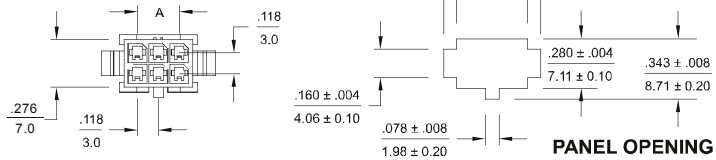
Ordering Information

Part No.	Finished	Wire size
3031T1	Tin-plated	#26 ~ #30 AWG
3031T2		#20 ~ #24 AWG



3020-N Series Dual Row Receptacle Housing

- Available in 2 thru 24 circuits
- Material: UL 94V-0 nylon 66
- Standard color: Black
- Accepts 3031Tx, 3031Tx-L Terminals
- Mates with 3025 Dual Row Series
- Recommended panel thickness: 1.57mm



inches
mm

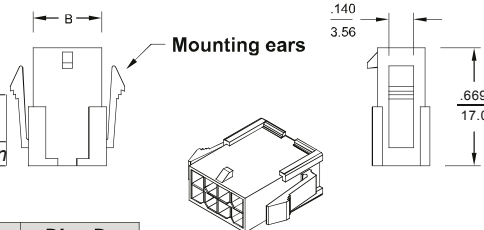
Ordering Information

Part No.	Feature	
3020-xxE	With mounting ears	<i>Non-standard option</i>
3020-xx	Without mounting ears	<i>Standard stock option</i>

Dimensional Information (mm)

Circuits	Dim. A	Dim. B	Dim. C	Dim. D
N	3 x (N / 2 - 1)	A + 4	A + 4.22	A + 7.88

&& N = 2 ~ 24



.118"(3.0mm) Wire-to-Wire Crimp Terminal Housing

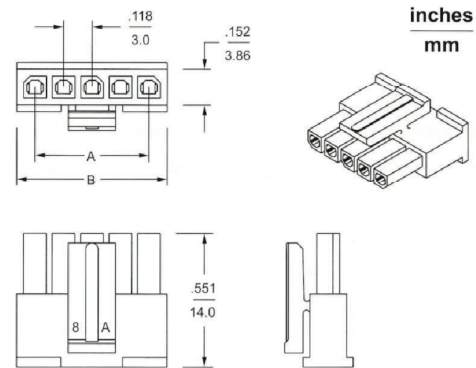
Specifications:

- Voltage rating: 250V AC(RMS) or DC
- Dielectric Strength: 1500V AC/minute
- Current rating:
- Insulation resistance: 1000MΩ min.
- Contact resistance: 10mΩ max.
- Temperature rise: 30 °C max. (carry rated current load)
- UL Approved and CSA Certificated product

Wire size	# 20	# 22	# 24	# 26	# 28	# 30
Ampere	5 A	5 A	4 A	3 A	2 A	1 A

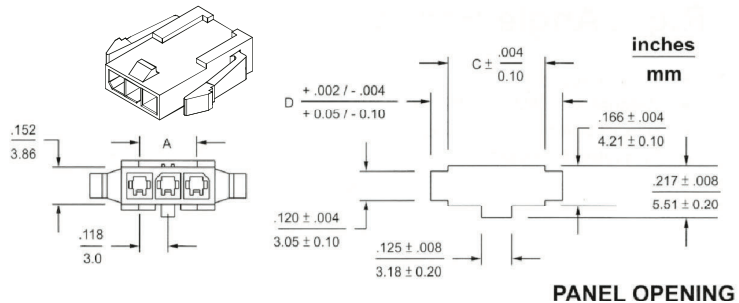
3025-xxS Series Single Row Receptacle Housing

- Available in 2 thru 12 circuits
- Material: UL 94V-0
- Standard color: Black
- Accepts 3030Tx Terminals
- Mates with 3020-xxS series housing
- Mates with 3045-xxS, 3046-xxS, 3047-xxS, 3048-xxS headers



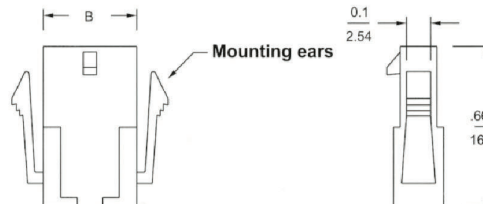
3020-xxS Series Single Row Plug Housing

- Available in 2 thru 12 circuits
- Material: UL 94V-0
- Standard color: Black
- Accepts 3031T series terminals
- Mates with 3025-xxS series housing
- Recommended panel thickness: 1.57mm



Ordering Information

Part No.	Feature	
3020-xxES	With mounting ears	Non-standard option
3020-xxS	Without mounting ears	Standard stock option



Dimensional Information - in (mm)

Circuits	Dim. A	Dim. B	Dim. C	Dim. D	Circuits	Dim. A	Dim. B	Dim. C	Dim. D
2	0.118 (3.0)	0.276 (7.0)	0.284 (7.21)	0.429 (10.90)	8	0.827 (21.0)	0.984 (25.0)	0.992 (25.20)	1.137 (28.88)
3	0.236 (6.0)	0.394 (10.0)	0.402 (10.21)	0.547 (13.89)	9	0.945 (24.0)	1.102 (28.0)	1.110 (28.20)	1.255 (31.88)
4	0.354 (9.0)	0.512 (13.0)	0.520 (13.21)	0.665 (16.89)	10	1.063 (27.0)	1.220 (31.0)	1.229 (31.22)	1.373 (34.87)
5	0.472 (12.0)	0.630 (16.0)	0.638 (16.21)	0.783 (19.89)	11	1.181 (30.0)	1.339 (34.0)	1.347 (34.22)	1.491 (37.87)
6	0.591 (15.0)	0.748 (19.0)	0.756 (19.21)	0.901 (22.89)	12	1.299 (33.0)	1.457 (37.0)	1.465 (37.22)	1.609 (40.87)
7	0.709 (18.0)	0.866 (22.0)	0.874 (22.20)	1.019 (25.88)					

.118"(3.0mm) Single Row Wire-to-Board Header

3045-xxS-LCP Series Vertical Header

inches
mm

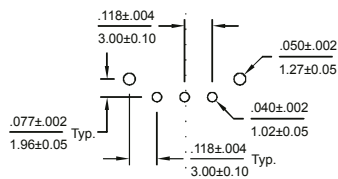
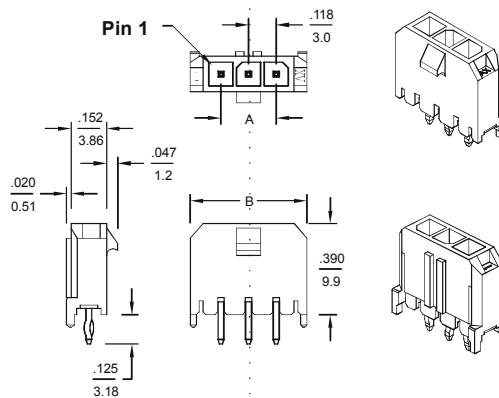
- 2 ~ 12 circuits available
- Material: LCP
- .0246"(0.625mm) square pin
- Tin-plated brass pin
- Mates with 3025-xxS housing

Ordering Information

Part No.	Feature	
3045-xxS-LCP	Without solderable retention clip	

&& xx = 02 ~ 12

3045-xxS-LCP



PCB Layout: Component side

Recommended PCB thickness: $\frac{.062}{1.57}$

Dimensional Information - in (mm)

Circuits	Dim. A	Dim. B	Circuits	Dim. A	Dim. B
2	0.118 (3.0)	0.380 (9.65)	8	0.827 (21.0)	1.089 (27.65)
3	0.236 (6.0)	0.498 (12.65)	9	0.945 (24.0)	1.207 (30.65)
4	0.354 (9.0)	0.616 (15.65)	10	1.063 (27.0)	1.325 (33.65)
5	0.472 (12.0)	0.734 (18.65)	11	1.181 (30.0)	1.443 (36.65)
6	0.591 (15.0)	0.852 (21.65)	12	1.299 (33.0)	1.561 (39.65)
7	0.709 (18.0)	0.970 (24.65)			

.118"(3.0mm) Single Row Wire-to-Board Header

3046-xxS-LCP Series Right Angle Header

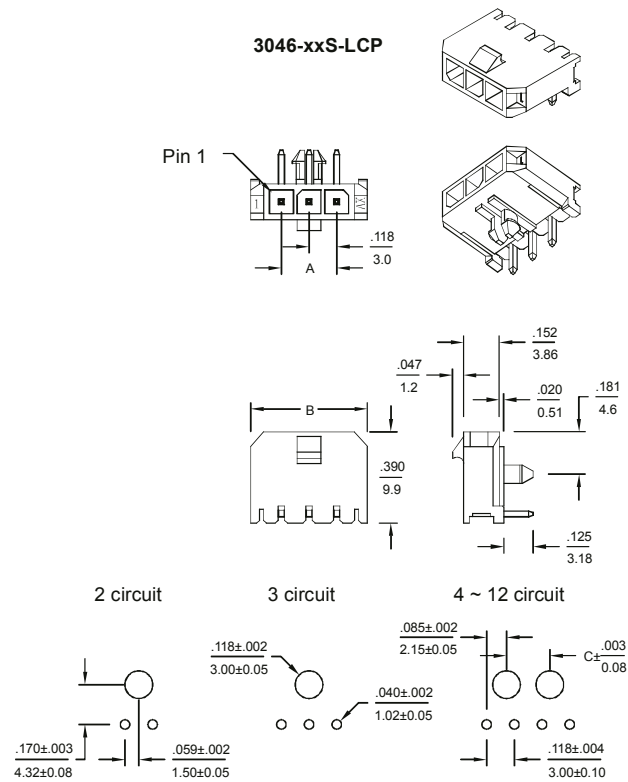
inches
mm

- 2 ~ 12 circuits available
- Material: LCP
- .0246"(0.625mm) square pin
- Tin-plated brass pin
- Mates with 3025-xxS housing

Ordering Information

Part No.	Feature	
3046-xxS-LCP	Without solderable retention clip	

&& xx = 02 ~ 12



PCB Layout

Dimensional Information - in (mm)

Circuits	Dim. A	Dim. B	Dim. C	Circuits	Dim. A	Dim. B	Dim. C
2	0.118 (3.0)	0.380 (9.65)		8	0.827 (21.0)	1.089 (27.65)	0.657 (16.7)
3	0.236 (6.0)	0.498 (12.65)		9	0.945 (24.0)	1.207 (30.65)	0.776 (19.7)
4	0.354 (9.0)	0.616 (15.65)	0.185 (4.7)	10	1.063 (27.0)	1.325 (33.65)	0.894 (22.7)
5	0.472 (12.0)	0.734 (18.65)	0.303 (7.7)	11	1.181 (30.0)	1.443 (36.65)	1.012 (25.7)
6	0.591 (15.0)	0.852 (21.65)	0.421 (10.7)	12	1.299 (33.0)	1.561 (39.65)	1.130 (28.7)
7	0.709 (18.0)	0.970 (24.65)	0.539 (13.7)				

.118"(3.0mm) Single Row Vertical Header, SMT

3047-xxS Series Vertical Header, SMT

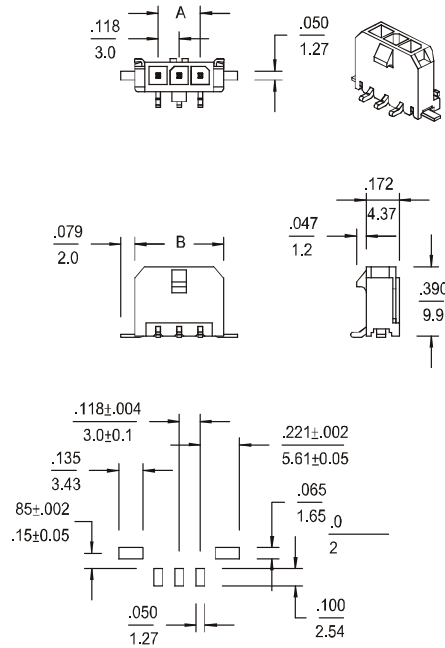
- 2 ~ 12 circuits available
- Plastic material: LCP
- Contact: Tin-plated brass pin
- Mates with 3025-xxS housing
- Recommended PCB thickness: .062"(1.57mm)

Ordering Information

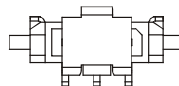
Part No.	Feature	
3047-xxSFN	With solderable fitting nail	

&& xx = 02 ~ 12

3047-xxSFN



PCB Layout: Component side



Shown with disposable cap

Dimensional Information - in (mm)

Circuits	Dim. A	Dim. B	Circuits	Dim. A	Dim. B	Circuits	Dim. A	Dim. B
2	0.118 (3.0)	0.380 (9.65)	6	0.591 (15.0)	0.852 (21.65)	10	1.063 (27.0)	1.325 (33.65)
3	0.236 (6.0)	0.498 (12.65)	7	0.709 (18.0)	0.970 (24.65)	11	1.181 (30.0)	1.443 (36.65)
4	0.354 (9.0)	0.616 (15.65)	8	0.827 (21.0)	1.088 (27.65)	12	1.299 (33.0)	1.561 (39.65)
5	0.472 (12.0)	0.734 (18.65)	9	0.945 (24.0)	1.206 (30.65)			

.118"(3.0mm) Single Row Right Angle Header, SMT

3048-xxS Series Right Angle Header, SMT

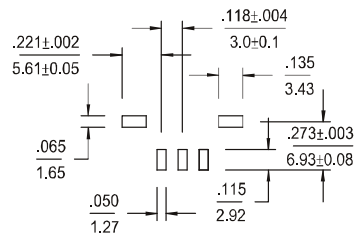
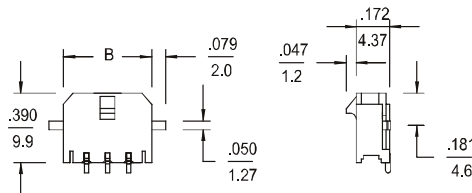
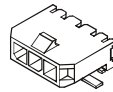
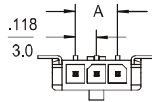
- 2 ~ 12 circuits available
- Plastic material: LCP
- Contact: Tin-plated brass pin
- Mates with 3025-xxS housing
- Recommended PCB thickness: .062"(1.57mm)

Ordering Information inches mm

Part No.	Feature	
3048-xxSFN	With solderable fitting nail	X

&& xx = 02 ~ 12

3048-xxSFN



PCB Layout: Component side

Dimensional Information - in (mm)

Circuits	Dim. A	Dim. B	Circuits	Dim. A	Dim. B	Circuits	Dim. A	Dim. B
2	0.118 (3.0)	0.380 (9.65)	6	0.591 (15.0)	0.852 (21.65)	10	1.063 (27.0)	1.325 (33.65)
3	0.236 (6.0)	0.498 (12.65)	7	0.709 (18.0)	0.970 (24.65)	11	1.181 (30.0)	1.443 (36.65)
4	0.354 (9.0)	0.616 (15.65)	8	0.827 (21.0)	1.088 (27.65)	12	1.299 (33.0)	1.561 (39.65)
5	0.472 (12.0)	0.734 (18.65)	9	0.945 (24.0)	1.206 (30.65)			