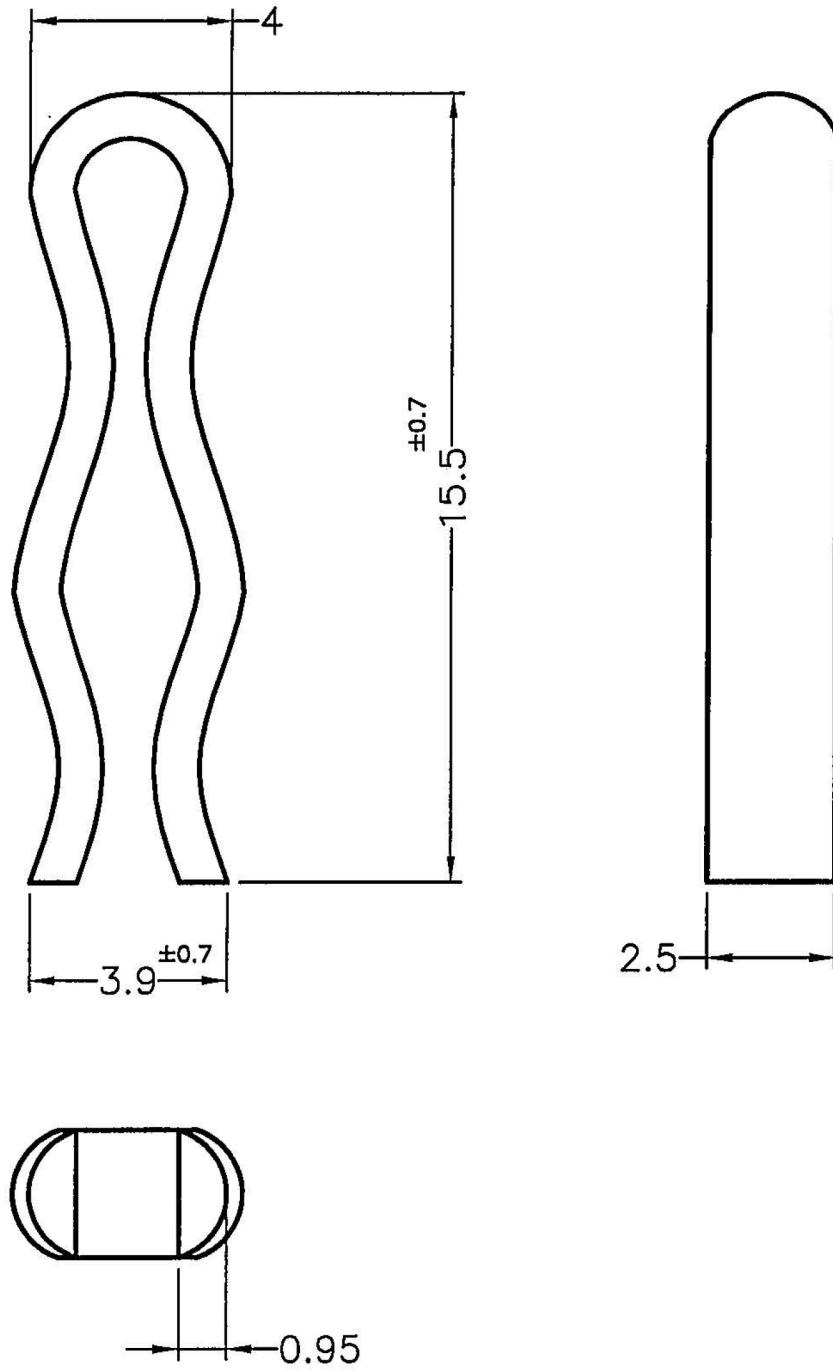


REVISIONS			
REV	DESCRIPTION	DATE	BY



				TITLE	彈片夾	產品規格圖面	
				MATERIAL	BRASS	DATE	2009.08.25
				FINISH	TIN PLATED	DRAWN	Eric
PART NUMBER		DRAWING NUMBER		COLOR	CHECK	朱益霆	
TRMC-53		TRMC-53		UNLESS OTHERWISE SPECIFIED TOLERANCE	APPROVED		
SIZE	SCALE	UNIT	REV	±0.5	朱益霆		
A4	5:1	mm	B				