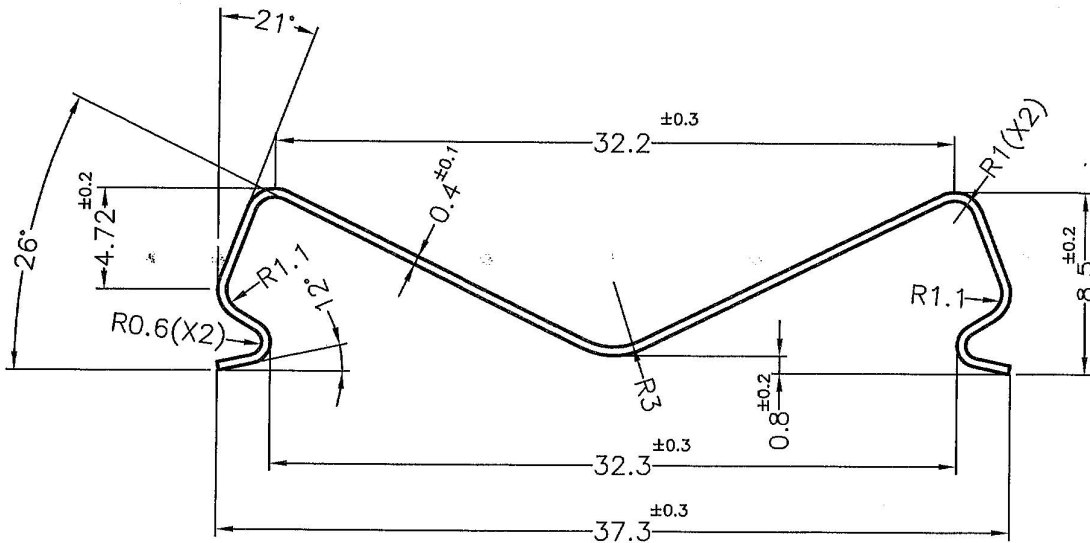
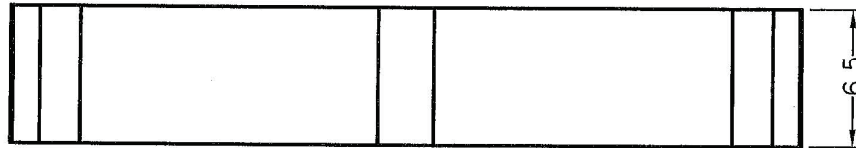


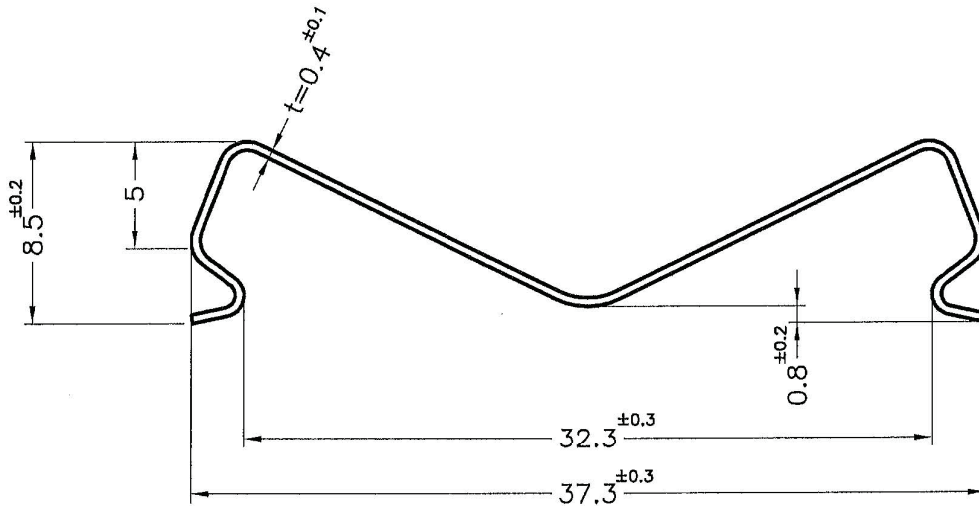
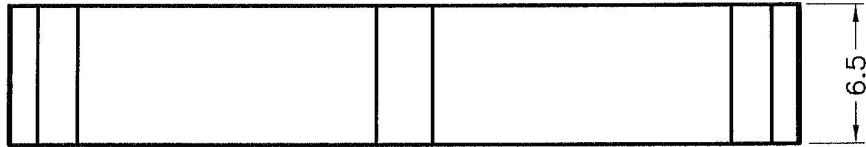
DIM.	TOL.
OVER 0.5 UP TO 3	±0.1
OVER 3 UP TO 6	±0.1
OVER 6 UP TO 30	±0.2
OVER 30 UP TO 120	±0.3
OVER 120 UP TO 400	±0.5
OVER 400 UP TO 1000	±0.8
OVER 1000 UP TO 2000	±1.2
OVER 2000 UP TO 4000	±2.0

REVISIONS			
REV	DESCRIPTION	DATE	BY



<b>VALCON</b> <small>QUALITY VALUE COMPONENTS</small>		TITLE	SPRING	SPEC. DWG.	
		MATERIAL	SUS 304	DATE 2013.05.16	
		HARDNESS		DRAWN T.C	
		COLOR		CHECK 	
PART NUMBER	TRMC-126	DRAWING NUMBER	TRMC-126	UNLESS OTHERWISE SPECIFIED TOLERANCE	SEE ABOVE
SIZE	A4	SCALE	3:1	UNIT	mm
		REV	B	APPROVED	

REVISIONS			
REV	DESCRIPTION	DATE	BY



符合歐盟ROHS規範 (RoHS Compliant)	
★鉛Pb	<1000PPM
★鎘Cd	< 100PPM
★汞Hg	<1000PPM
★六價鉻Cr6+	<1000PPM
★多溴聯苯類PBBs	<1000PPM
★多溴聯苯醚類PBDEs	<1000PPM

				TITLE	CLAMP	SPEC. DWG.	
				MATERIAL	SUS	DATE	2012.12.27
PART NUMBER TRMC-121				DRAWING NUMBER TRMC-121	HARDNESS	DRAWN	T.C
					COLOR	CHECK	
SIZE	SCALE	UNIT	REV	UNLESS OTHERWISE SPECIFIED TOLERANCE	APPROVED		
A4	3:1	mm	A	±0.2			