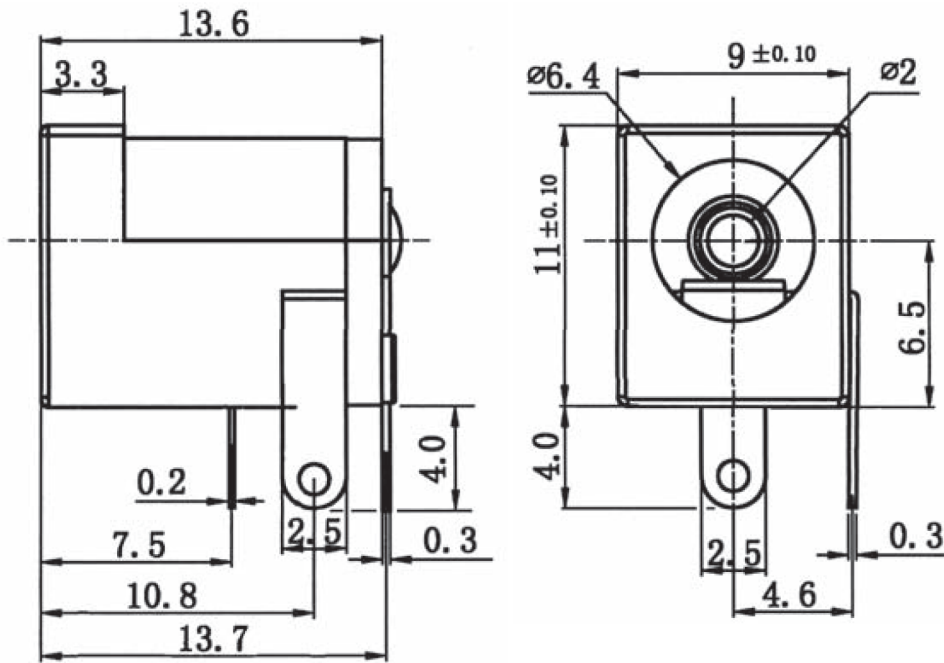




www.toby.co.uk



Environmental conditions

Temperature range -16 °C/+60 °C

Materials

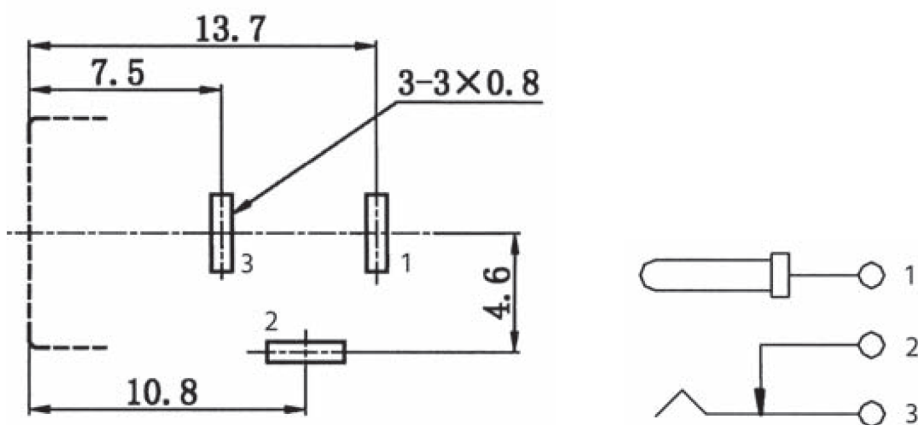
Insulating body PBT GF, V-0 according to UL94
Contact CuZn/steel, nickel-plated/pre-nickel and silver-plated

Mechanical data

Diameter opening 6.4 mm
Diameter center pin 2 mm
Mating cycles $\geq 5000^1$
Insertion force 3–20 N (initial value)
Withdrawal force 3–20 N (initial value)

¹ measured with a gauge plug

*a



Electrical data (at T_{amb} 20 °C)

Contact resistance ≤ 100 m Ω
Rated current 2 A
Rated voltage 24 V DC
Rated impulse voltage 500 V/60 s
Insulation resistance ≥ 100 M Ω

Associated products

Counterparts
 ☑ 1633 02 ☑ 1633 03 ☑ NES/J 21
 ☑ NES/J 21 W ☑ NES/J 210 ☑ XNES/J 210

*a printed circuit board layout, components side view