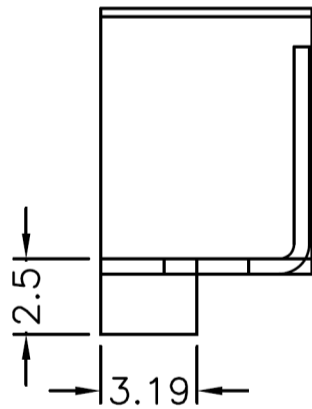
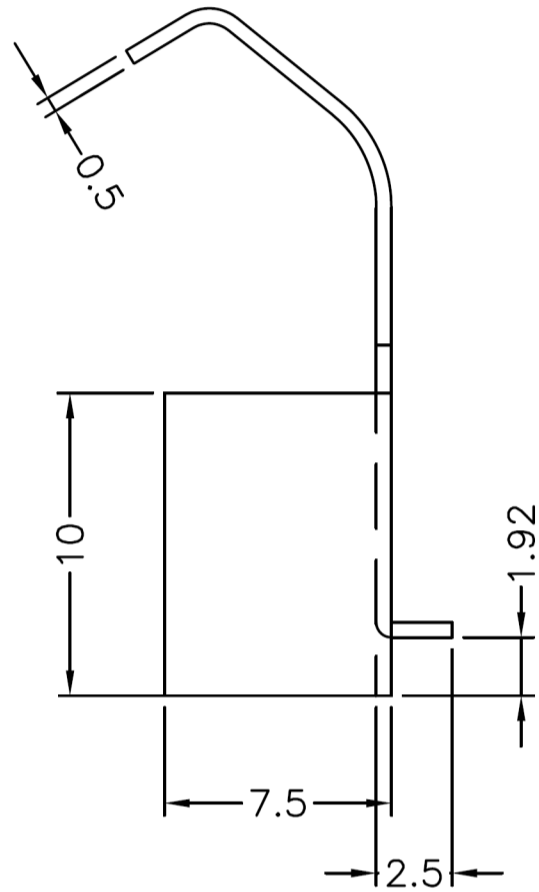
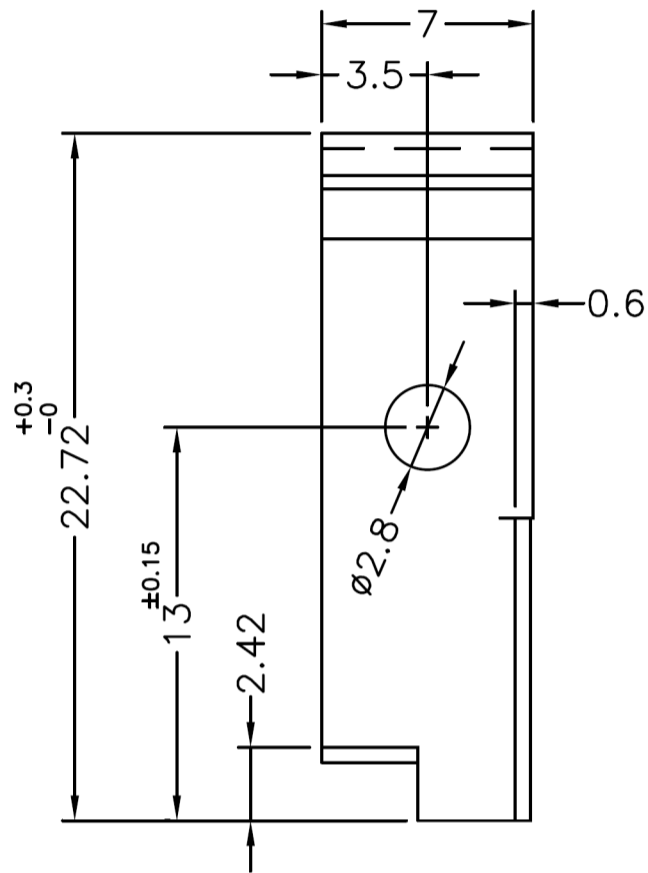


REVISIONS			
REV	DESCRIPTION	DATE	BY



		TITLE	彈片	產品規格圖面
		MATERIAL	SUS	DATE 2004.12.29
PART NUMBER TRMC-12		DRAWING NUMBER TRMC-12	FINISH	DRAWN <i>James</i>
SIZE A4	SCALE 3:1	UNIT mm	REV A	COLOR NATURAL
UNLESS OTHERWISE SPECIFIED TOLERANCE ±0.3			CHECK APPROVED	