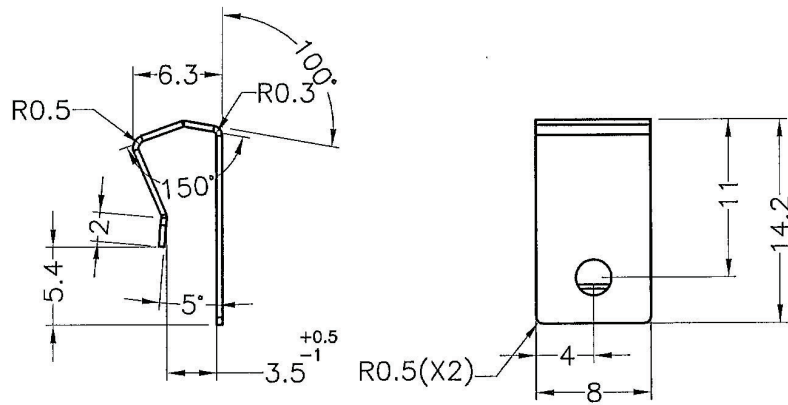
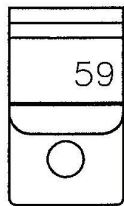
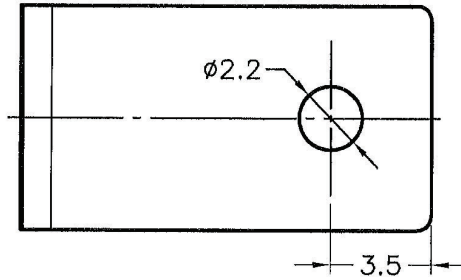
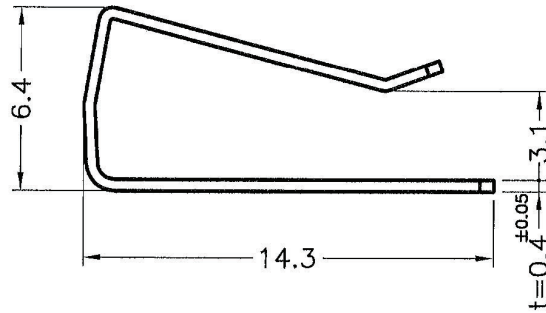
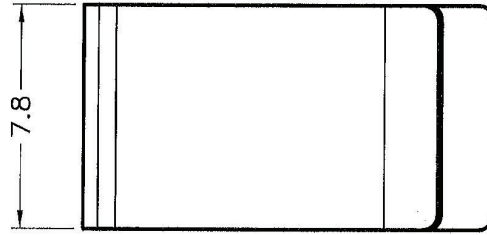


REVISIONS			
REV	DESCRIPTION	DATE	BY



				TITLE	彈片	產品規格圖面	
				MATERIAL	SUS 301	DATE	2009.10.23
				FINISH		DRAWN	JIM
PART NUMBER		DRAWING NUMBER		COLOR	CHECK		
TRMC-59		TRMC-59				APPROVED	
SIZE	SCALE	UNIT	REV	UNLESS OTHERWISE SPECIFIED TOLERANCE			
A4	2:1	mm	A	±0.2			

REVISIONS			
REV	DESCRIPTION	DATE	BY



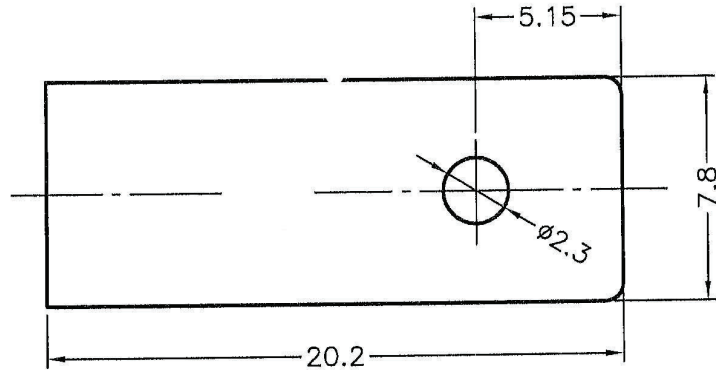
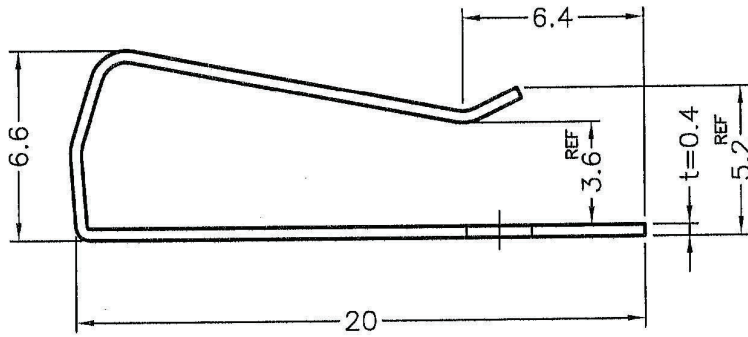
符合歐盟ROHS規範 (RoHS Compliant)

★鉛Pb	<1000PPM
★鎘Cd	< 100PPM
★汞Hg	<1000PPM
★六價鉻Cr6+	<1000PPM
★多溴聯苯類PBBs	<1000PPM
★多溴聯苯醚類PBDEs	<1000PPM



TITLE	TR. CLAMP	SPEC. DWG.
MATERIAL	SUS	DATE 2003.03.07
FINISH		DRAWN JASON
COLOR		CHECK 
PART NUMBER TRMC-2	DRAWING NUMBER TRMC-2	UNLESS OTHERWISE SPECIFIED TOLERANCE ±0.2
SIZE A4	SCALE 4:1	UNIT mm
REV A	APPROVED 	

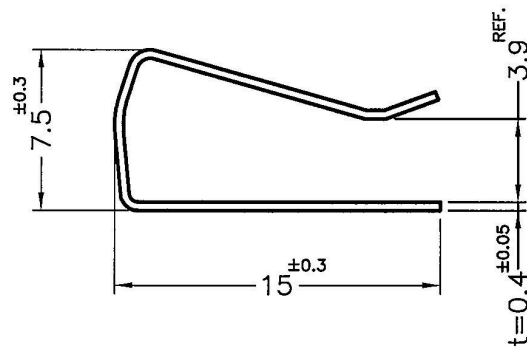
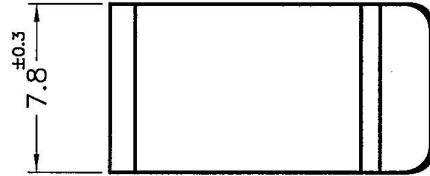
REVISIONS			
REV	DESCRIPTION	DATE	BY



符合歐盟ROHS規範 (RoHS Compliant)	
★鉛Pb	<1000PPM
★鎘Cd	< 100PPM
★汞Hg	<1000PPM
★六價鉻Cr6+	<1000PPM
★多溴聯苯類PBBs	<1000PPM
★多溴聯苯醚類PBDEs	<1000PPM



		TITLE	CLAMP	SPEC. DWG.	
		MATERIAL	SUS	DATE 2005.06.03	
PART NUMBER TRMC-9		FINISH		DRAWN <i>James</i>	
		COLOR		CHECK 	
SIZE A4	SCALE 4:1	UNIT mm	REV B	UNLESS OTHERWISE SPECIFIED TOLERANCE $\pm 0.2$	APPROVED <i>Kang</i>



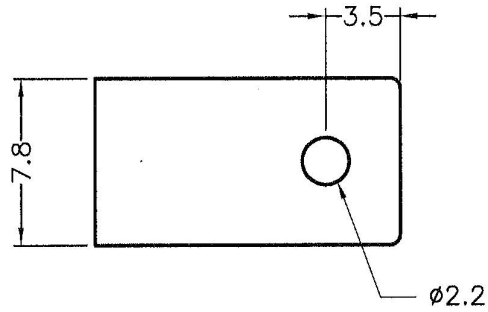
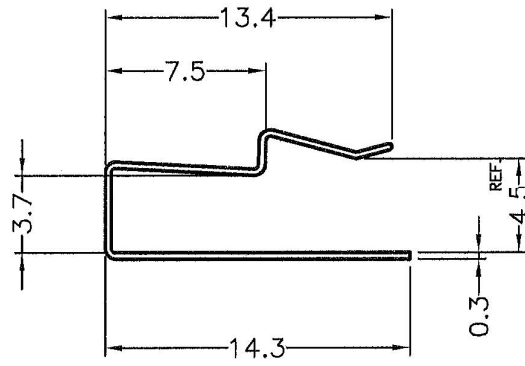
NOTE:1. SHRINKING IS NORMAL STATUS.  
 內縮為正常現象。



	DATE	2001.08.09	TITLE	TR. CLAMP	DWG. NO.	TRMC-1	PART NO.	TRMC-1	
	DRAWN	JASON	MATERIAL	SUS	SIZE	A4	SPEC. DWG	REV	A
	CHECKED		COLOR		FINISH		SCALE: 3:1	UNIT	mm
	APPROVED		UNLESS OTHERWISE SPECIFIED TOLERANCE: SEE ABOVE		SHEET 1 OF 1				

DO NOT SCALE DRAWING

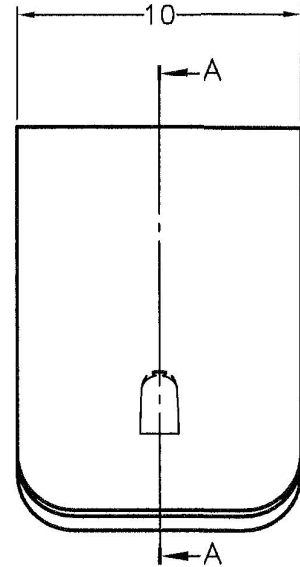
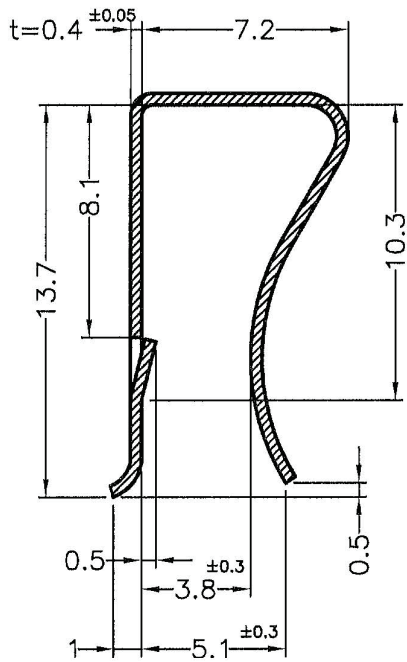
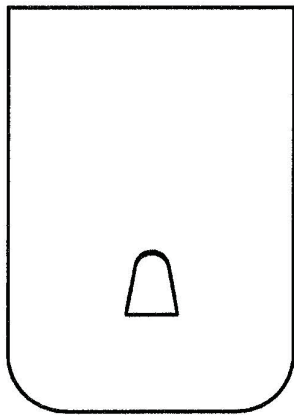
REVISIONS			
REV	DESCRIPTION	DATE	BY



符合歐盟ROHS規範 (RoHS Compliant)	
★鉛Pb	<1000PPM
★鎘Cd	< 100PPM
★汞Hg	<1000PPM
★六價鉻Cr6+	<1000PPM
★多溴聯苯類PBBs	<1000PPM
★多溴聯苯醚類PBDEs	<1000PPM

				TITLE	TR. CLAMP	SPEC. DWG.	
				MATERIAL	SUS	DATE	2003.10.15
PART NUMBER TRMC-5				DRAWING NUMBER		DRAWN	FU
				TRMC-5		CHECK	
SIZE	SCALE	UNIT	REV	UNLESS OTHERWISE SPECIFIED TOLERANCE	APPROVED		
A4	3:1	mm	A	±0.3			

REVISIONS			
REV	DESCRIPTION	DATE	BY



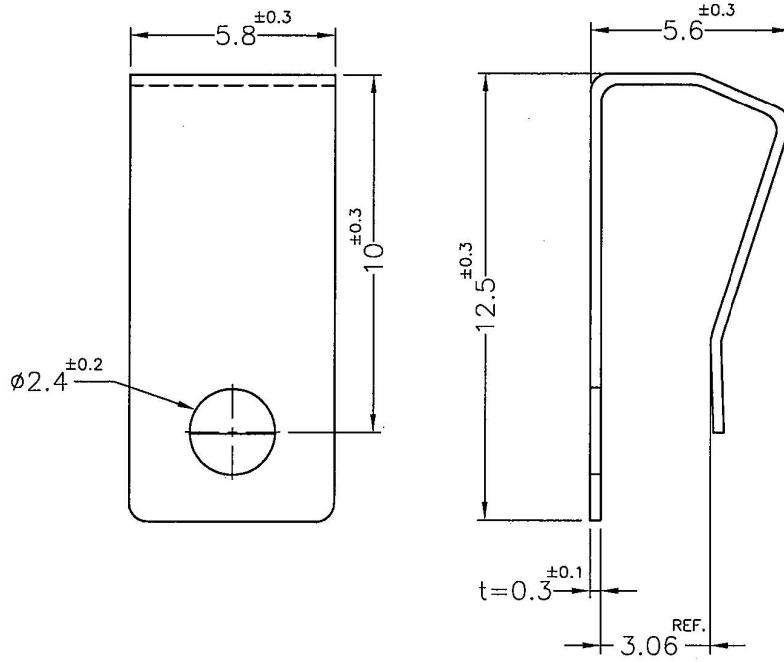
SECTION A-A

符合歐盟ROHS規範 (RoHS Compliant)	
★鉛Pb	<100PPM
★鎘Cd	< 100PPM
★汞Hg	<1000PPM
★六價鉻Cr6+	<1000PPM
★多溴聯苯類PBBs	<1000PPM
★多溴聯苯醚類PBDEs	<1000PPM



		TITLE	TR. CLAMP	SPEC. DWG.
		MATERIAL	SUS	DATE 2004.05.19
		FINISH		DRAWN CUTIE
		COLOR		CHECK 
PART NUMBER	DRAWING NUMBER	UNLESS OTHERWISE SPECIFIED TOLERANCE		APPROVED
TRMC-6	TRMC-6	±0.2		<i>Kang</i>
SIZE	SCALE	UNIT	REV	
A4	4:1	mm	B	

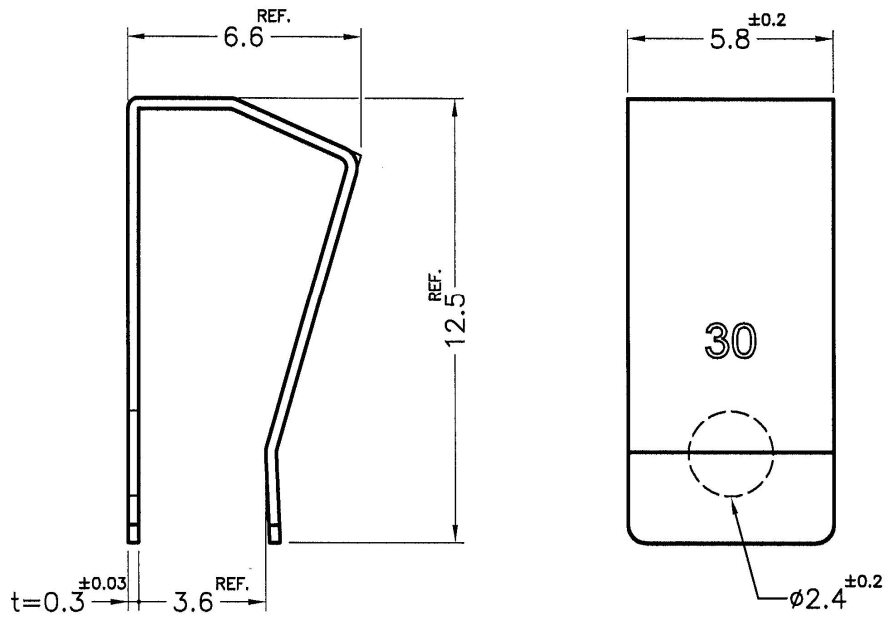
REVISIONS			
REV	DESCRIPTION	DATE	BY



NOTE: IT IS NORMAL IF IT IS SHRINKING.  
內縮為正常現象。

				TITLE	TR. CLAMP	SPEC. DWG.	
				MATERIAL	SUS	DATE	2006.2.27
				FINISH		DRAWN	KEN
				COLOR		CHECK	林祺翔
PART NUMBER	DRAWING NUMBER		UNLESS OTHERWISE SPECIFIED TOLERANCE		APPROVED		
TRMC-17	TRMC-17		SEE ABOVE		Kang		
SIZE	SCALE	UNIT	REV				
A4	5:1	mm	A				

REVISIONS			
REV	DESCRIPTION	DATE	BY



符合歐盟ROHS規範 (RoHS Compliant)

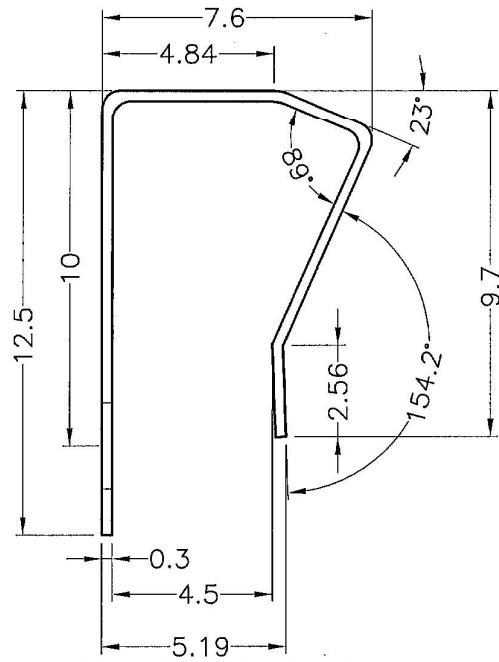
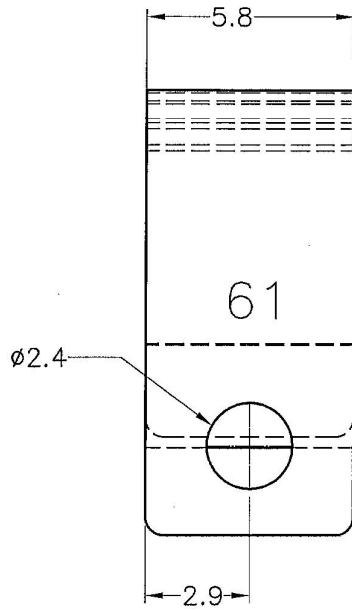
★鉛Pb	<1000PPM
★鎘Cd	< 100PPM
★汞Hg	<1000PPM
★六價鉻Cr6+	<1000PPM
★多溴聯苯類PBBs	<1000PPM
★多溴聯苯醚類PBDEs	<1000PPM



<b>VALCON</b> <small>QUALITY VALUE COMPONENTS</small>		TITLE	TR. CLAMP	SPEC. DWG.
		MATERIAL	SUS	DATE 2007.10.31
		FINISH		DRAWN BUNNY
		COLOR		CHECK 彭永承
PART NUMBER	TRMC-30	DRAWING NUMBER	TRMC-30	
SIZE	A4	SCALE	5:1	UNIT mm
		REV	B	UNLESS OTHERWISE SPECIFIED TOLERANCE SEE ABOVE
				APPROVED Kang

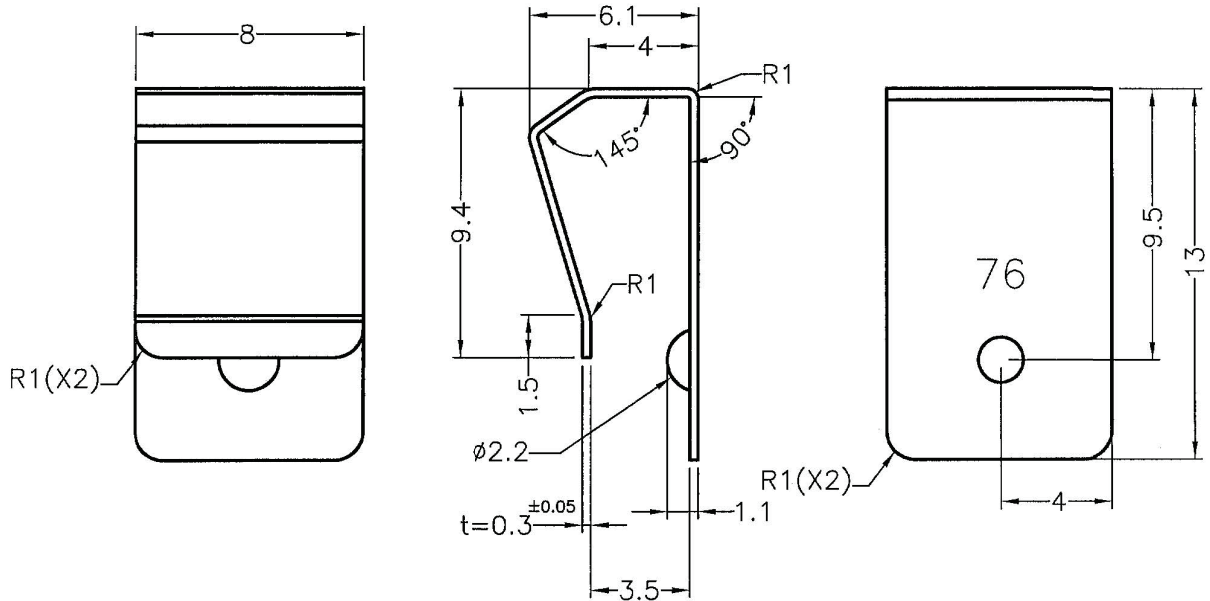


REVISIONS			
REV	DESCRIPTION	DATE	BY



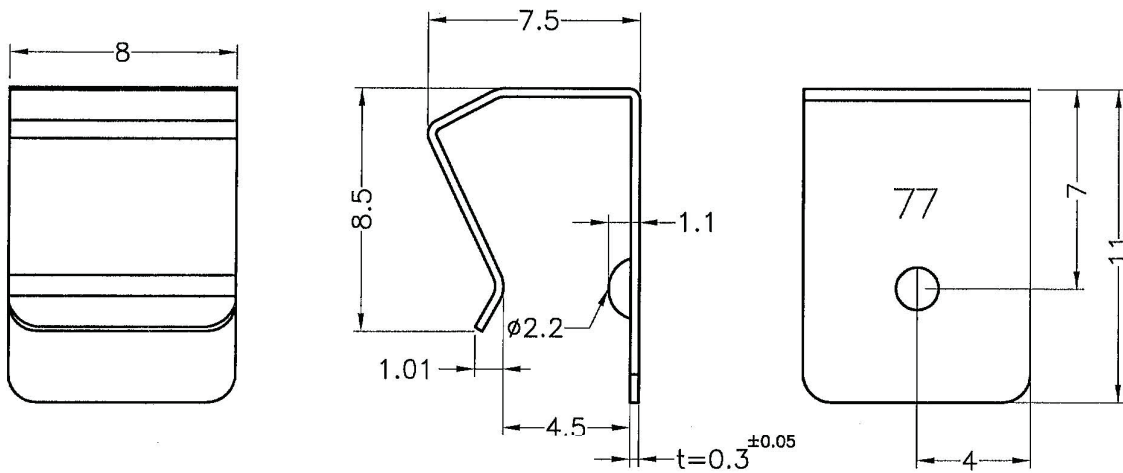
<b>VALCON</b> <small>QUALITY VALUE COMPONENTS</small>		TITLE	電晶體夾子	產品規格圖面
		MATERIAL	SUS 301	DATE
PART NUMBER		DRAWING NUMBER	FINISH	DRAWN
TRMC-61		TRMC-61		JIM
SIZE	SCALE	UNIT	COLOR	CHECK
A4	5:1	mm		陳彥璋
REV	UNLESS OTHERWISE SPECIFIED TOLERANCE		APPROVED	
A	±0.2		Kang	

REVISIONS			
REV	DESCRIPTION	DATE	BY



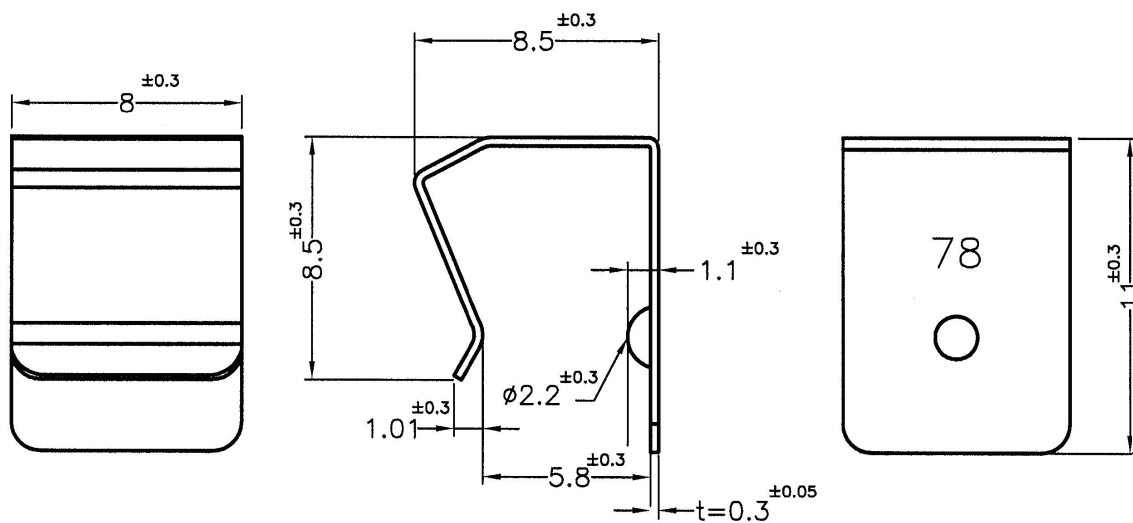
<b>VALCON</b> <small>QUALITY VALUE COMPONENTS</small>				TITLE	電晶體夾子	產品規格圖面	
				MATERIAL	SUS 301	DATE	2010.05.27
PART NUMBER <b>TRMC-76</b>				FINISH		DRAWN	Eric
				COLOR		CHECK	
SIZE	SCALE	UNIT	REV	UNLESS OTHERWISE SPECIFIED TOLERANCE	±0.2	APPROVED	
A4	4:1	mm	A				

REVISIONS			
REV	DESCRIPTION	DATE	BY



				TITLE	電晶體夾子	產品規格圖面	
				MATERIAL	SUS 301	DATE	2010.05.27
PART NUMBER TRMC-77				FINISH		DRAWN	ROBERT
				COLOR		CHECK	
SIZE	SCALE	UNIT	REV	UNLESS OTHERWISE SPECIFIED TOLERANCE		APPROVED	
A4	4:1	mm	A	±0.2			

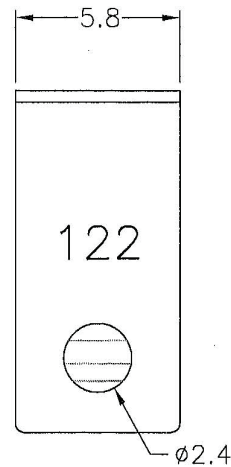
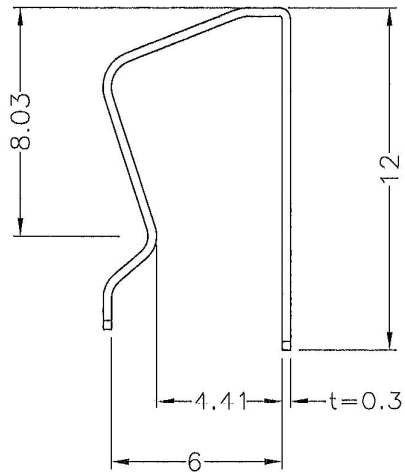
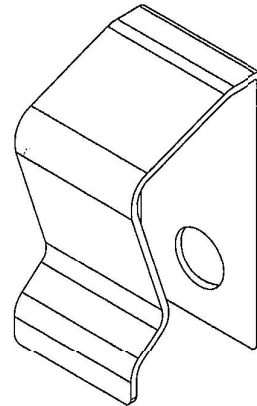
REVISIONS			
REV	DESCRIPTION	DATE	BY



符合歐盟ROHS規範 (RoHS Compliant)	
★鉛Pb	<1000PPM
★鎘Cd	< 100PPM
★汞Hg	<1000PPM
★六價鉻Cr6+	<1000PPM
★多溴聯苯類PBBs	<1000PPM
★多溴聯苯醚類PBDEs	<1000PPM

		TITLE	TR. CLAMP	SPEC. DWG.	
		MATERIAL	SUS	DATE 2010.05.27	
PART NUMBER TRMC-78		FINISH		DRAWN ROBERT	
		COLOR		CHECK 	
SIZE A4	SCALE 4:1	UNIT mm	REV A	UNLESS OTHERWISE SPECIFIED TOLERANCE SEE ABOVE	APPROVED <i>Kang</i>

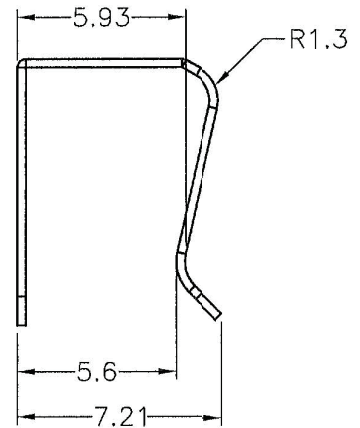
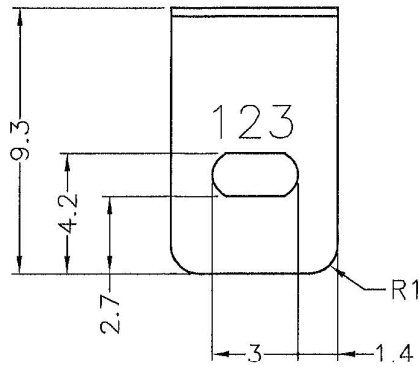
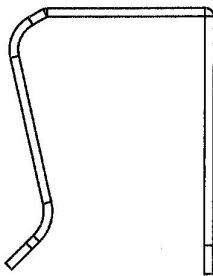
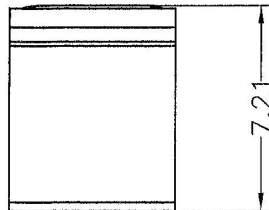
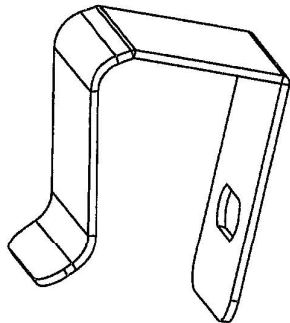
REVISIONS			
REV	DESCRIPTION	DATE	BY



符合歐盟ROHS規範 (RoHS Compliant)	
★鉛Pb	<1000PPM
★鎘Cd	< 100PPM
★汞Hg	<1000PPM
★六價鉻Cr6+	<1000PPM
★多溴聯苯類PBBs	<1000PPM
★多溴聯苯醚類PBDEs	<1000PPM

		TITLE	TR. CLAMP	SPEC. DWG.	
		MATERIAL	STAINLESS STEEL	DATE	2013.02.21
PART NUMBER TRMC-122		DRAWING NUMBER TRMC-122		DRAWN	C. S. L
				CHECK	
SIZE	SCALE	UNIT	REV	UNLESS OTHERWISE SPECIFIED TOLERANCE	APPROVED
A4	4:1	mm	A	±0.2	

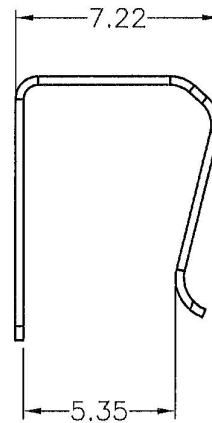
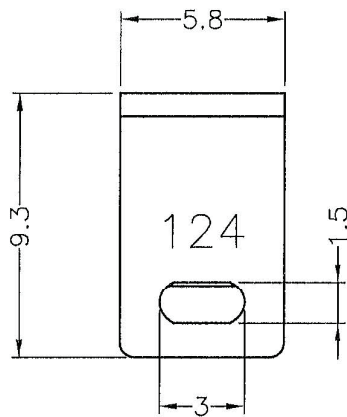
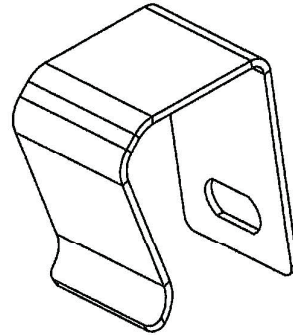
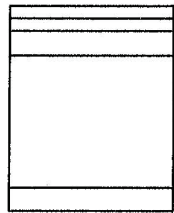
REVISIONS			
REV	DESCRIPTION	DATE	BY



符合歐盟ROHS規範 (RoHS Compliant)	
★鉛Pb	<1000PPM
★鎘Cd	< 100PPM
★汞Hg	<1000PPM
★六價鉻Cr6+	<1000PPM
★多溴聯苯類PBBs	<1000PPM
★多溴聯苯醚類PBDEs	<1000PPM

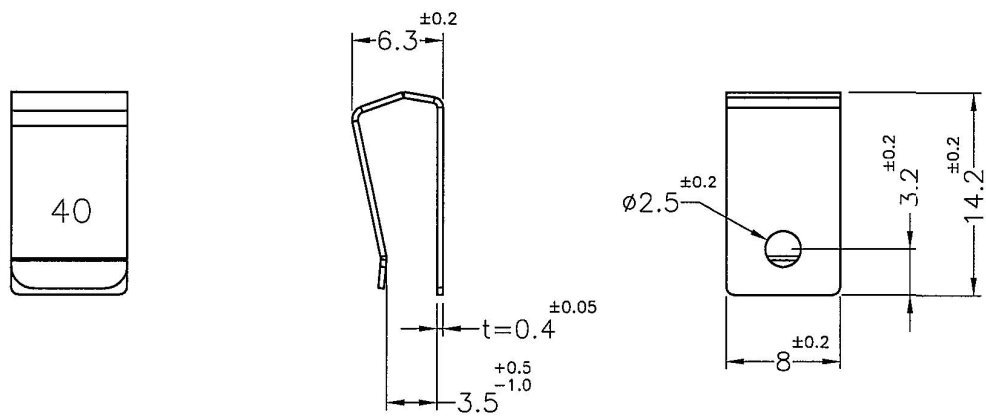
PART NUMBER <b>TRMC-123</b>				TITLE <b>TR. CLAMP</b>		TITLE <b>SPEC. DWG.</b>	
				MATERIAL <b>STAINLESS STEEL</b>		DATE <b>2013.03.08</b>	
				FINISH		DRAWN <b>Lyu</b>	
				COLOR		CHECK 	
DRAWING NUMBER <b>TRMC-123</b>		UNLESS OTHERWISE SPECIFIED TOLERANCE <b>±0.2</b>		APPROVED <i>Kang</i>			
SIZE <b>A4</b>	SCALE <b>4:1</b>	UNIT <b>mm</b>	REV <b>A</b>				

REVISIONS			
REV	DESCRIPTION	DATE	BY



符合歐盟ROHS規範 (RoHS Compliant)	
★鉛Pb	<1000PPM
★鎘Cd	< 100PPM
★汞Hg	<1000PPM
★六價鉻Cr6+	<1000PPM
★多溴聯苯類PBBs	<1000PPM
★多溴聯苯醚類PBDEs	<1000PPM

		TITLE	TR. CLAMP	SPEC. DWG.	
		MATERIAL	STAINLESS STEEL	DATE	2013.03.12
PART NUMBER <b>TRMC-124</b>		FINISH		DRAWN	Lyu
		COLOR		CHECK	
SIZE	SCALE	UNIT	REV	APPROVED	
A4	4:1	mm	A	UNLESS OTHERWISE SPECIFIED TOLERANCE	±0.2



NOTE: IT IS NORMAL IF IT IS SHRINKING.  
 內縮為正常現象.

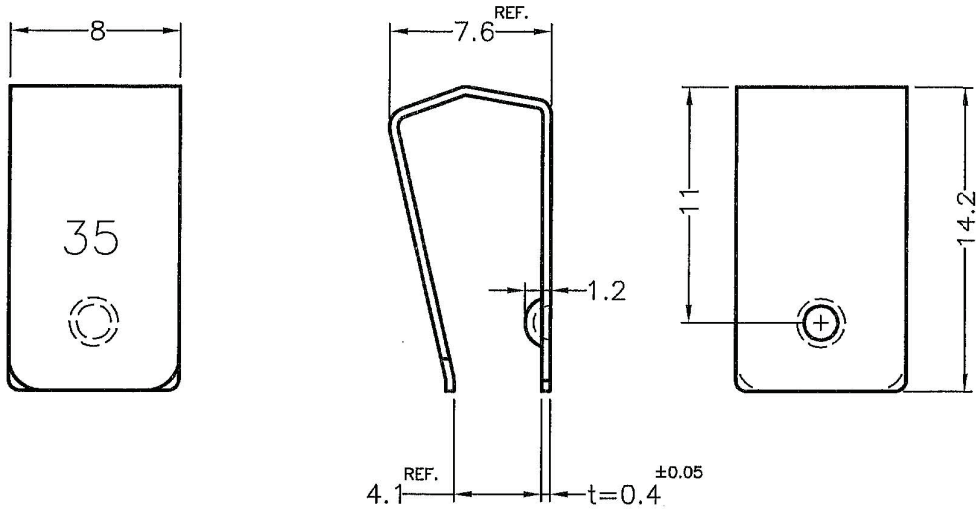
TOBY ELECTRONICS LTD  
 www.toby.co.uk | sales@toby.co.uk

	DATE 2008.12.23	TITLE TRANSISTOR CLAMP		DWG. NO. TRMC-40		PART NO. TRMC-40	
	DRAWN Zhang	MATERIAL SUS		SIZE A4		SPEC. DWG.	
	CHECKED 	COLOR	FINISH	SCALE: 2:1		UNIT mm	REV A
	APPROVED 	UNLESS OTHERWISE SPECIFIED TOLERANCE: SEE ABOVE		SHEET 1 OF 1			

DO NOT SCALE DRAWING



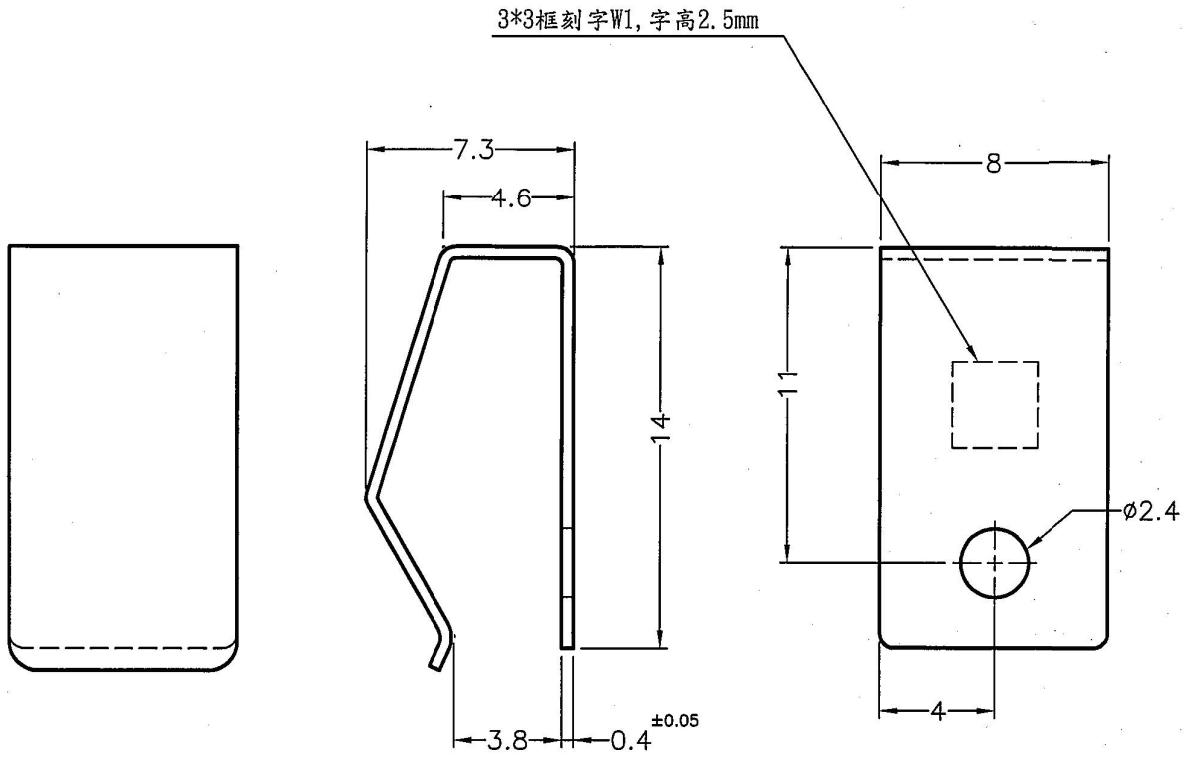
REVISIONS			
REV	DESCRIPTION	DATE	BY



康揚符合歐盟ROHS規範 (Accord EU RoHS Compliant)	
★鉛Pb	<1000PPM
★鎘Cd	< 100PPM
★汞Hg	<1000PPM
★六價鉻Cr6+	<1000PPM
★多溴聯苯類PBBs	<1000PPM
★多溴聯苯醚類PBDEs	<1000PPM

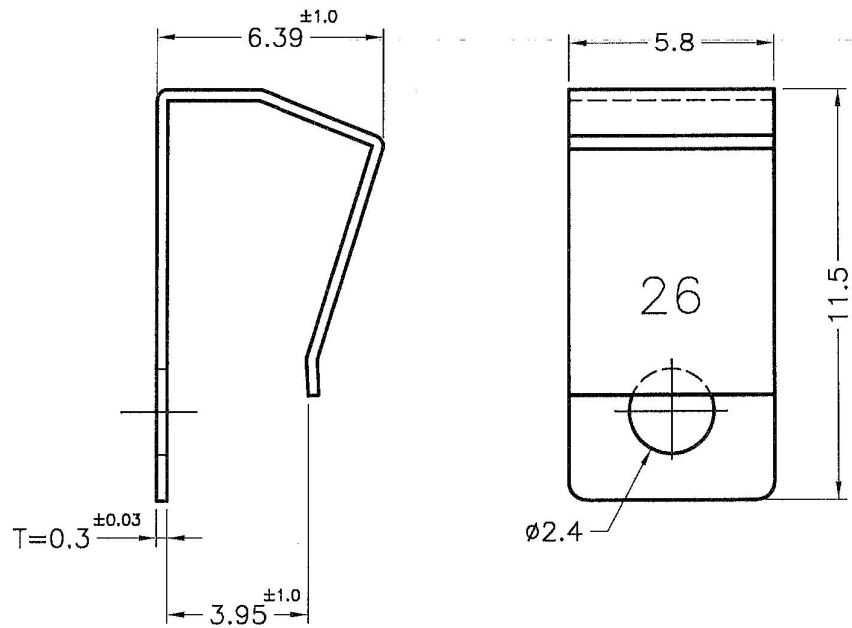
				TITLE	TR. CLAMP	SPEC. DWG.	
				MATERIAL	SUS	DATE	2008.07.23
				FINISH		DRAWN	Tony
				COLOR		CHECK	
PART NUMBER	TRMC-35	DRAWING NUMBER	TRMC-35	UNLESS OTHERWISE SPECIFIED TOLERANCE	$\pm 0.2$	APPROVED	
SIZE	A4	SCALE	3:1	UNIT	mm	REV	A

REVISIONS			
REV	DESCRIPTION	DATE	BY



		TITLE	電晶體夾片	產品規格圖面							
		MATERIAL	SUS 301	DATE	2008.07.11						
		FINISH		DRAWN	Tony						
PART NUMBER	TRMC-34	DRAWING NUMBER	TRMC-34	COLOR		CHECK					
SIZE	A4	SCALE	4:1	UNIT	mm	REV	A	UNLESS OTHERWISE SPECIFIED TOLERANCE	±0.3	APPROVED	

REVISIONS			
REV	DESCRIPTION	DATE	BY



符合歐盟ROHS規範 (RoHS Compliant)	
★鉛Pb	<1000PPM
★鎘Cd	< 100PPM
★汞Hg	<1000PPM
★六價鉻Cr6+	<1000PPM
★多溴聯苯類PBBs	<1000PPM
★多溴聯苯醚類PBDEs	<1000PPM



TITLE	TR. CLAMP	SPEC. DWG.
MATERIAL	SUS	DATE
FINISH		DRAWN
COLOR		CHECK

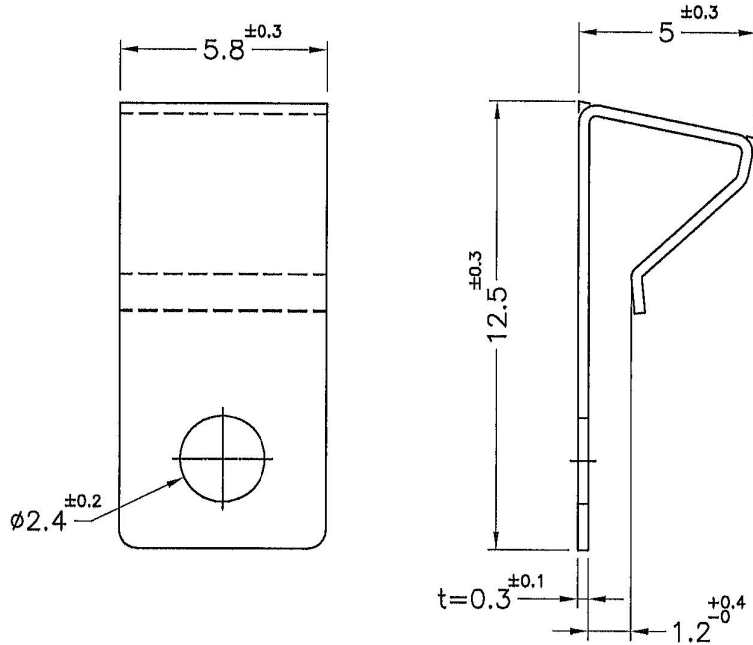
DATE	2006.11.16
DRAWN	BUNNY
CHECK	

PART NUMBER	TRMC-26	DRAWING NUMBER	TRMC-26
SIZE	A4	SCALE	5:1
UNIT	mm	REV	A

UNLESS OTHERWISE SPECIFIED TOLERANCE	±0.2
--------------------------------------	------

APPROVED	
----------	--

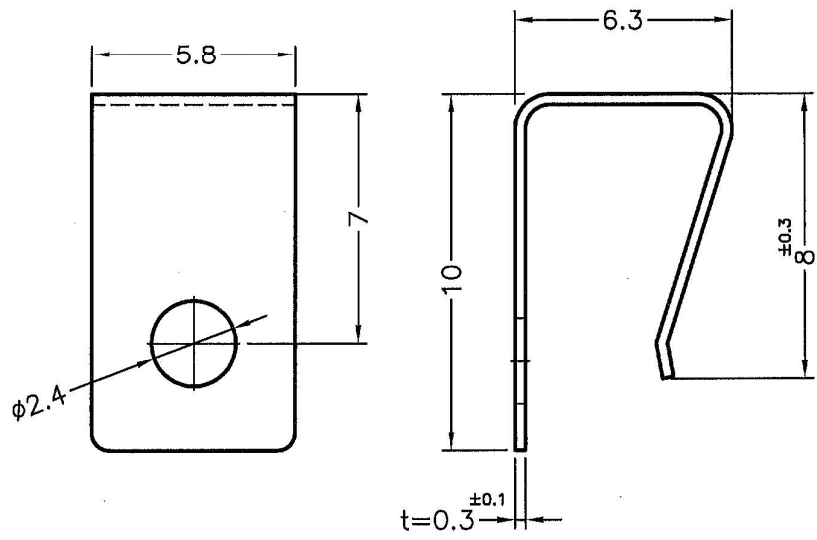
REVISIONS			
REV	DESCRIPTION	DATE	BY



符合歐盟ROHS規範 (RoHS Compliant)	
★鉛Pb	<1000PPM
★鎘Cd	< 100PPM
★汞Hg	<1000PPM
★六價鉻Cr6+	<1000PPM
★多溴聯苯類PBBs	<1000PPM
★多溴聯苯醚類PBDEs	<1000PPM

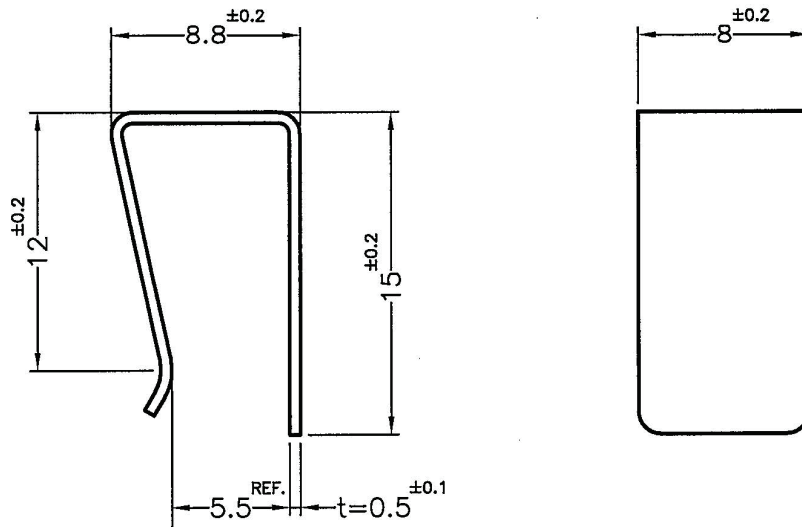
				TITLE	TR. CLAMP	SPEC. DWG.	
				MATERIAL	SUS	DATE	2006.10.04
				FINISH		DRAWN	JOHNNY
				COLOR		CHECK	
PART NUMBER	DRAWING NUMBER		UNLESS OTHERWISE SPECIFIED TOLERANCE				
TRMC-23	TRMC-23		SEE ABOVE				
SIZE	SCALE	UNIT	REV	APPROVED			
A4	5:1	mm	A	Kang			

REVISIONS			
REV	DESCRIPTION	DATE	BY



康揚符合歐盟ROHS規範 (K.Y. Accord EU RoHS Compliant)	
★鉛Pb	<1000PPM
★鎘Cd	< 100PPM
★汞Hg	<1000PPM
★六價鉻Cr6+	<1000PPM
★多溴聯苯類PBBs	<1000PPM
★多溴聯苯醚類PBDEs	<1000PPM

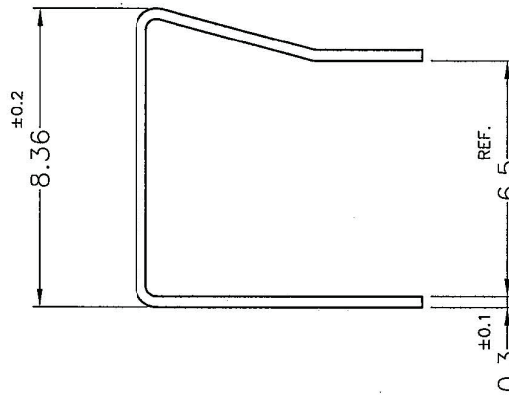
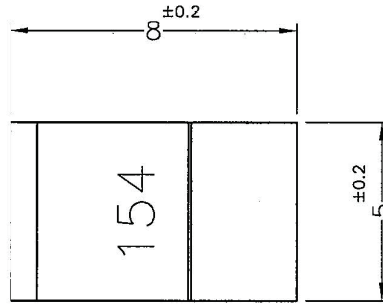
		TITLE	TR. CLAMP	SPEC. DWG.	
		MATERIAL	SUS	DATE 2006.06.27	
		FINISH		DRAWN BUNNY	
		COLOR		CHECK 朱益輝 宋萍	
PART NUMBER	TRMC-20	DRAWING NUMBER	TRMC-20	UNLESS OTHERWISE SPECIFIED TOLERANCE	±0.2
SIZE	A4	SCALE	5:1	UNIT	mm
REV	A	APPROVED	Kang		



NOTE: SHRINKING IS NORMAL STATUS.  
 內縮為正常現象。

TOBY ELECTRONICS LTD  
 www.toby.co.uk | sales@toby.co.uk

	DATE	2004.02.24	TITLE	CLAMP	DWG. NO.	TRMC-7	PART NO.	TRMC-7	
	DRAWN	S.L.	MATERIAL	SUS	SIZE	A4	SPEC. DWG	REV	A
	CHECKED		COLOR		FINISH		SCALE: 3:1	UNIT	mm
	APPROVED		UNLESS OTHERWISE SPECIFIED TOLERANCE:	SEE ABOVE					SHEET 1 OF 1
DO NOT SCALE DRAWING									

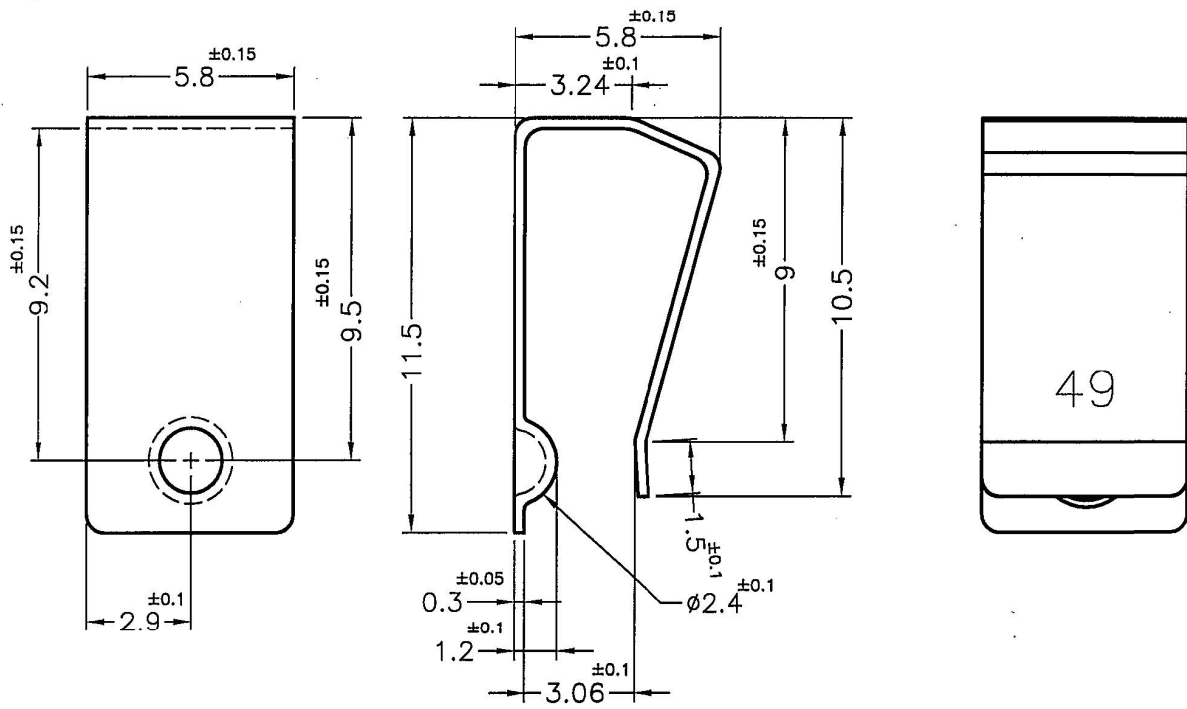


NOTE: SHRINKING IS NORMAL STATUS.  
 內縮為正常現象。



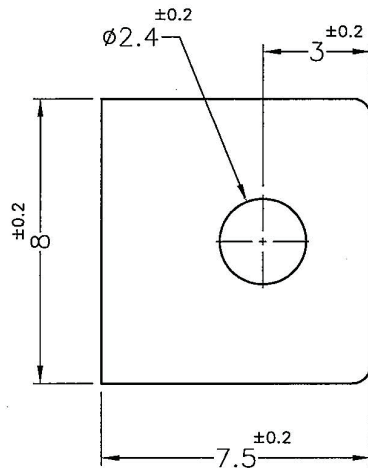
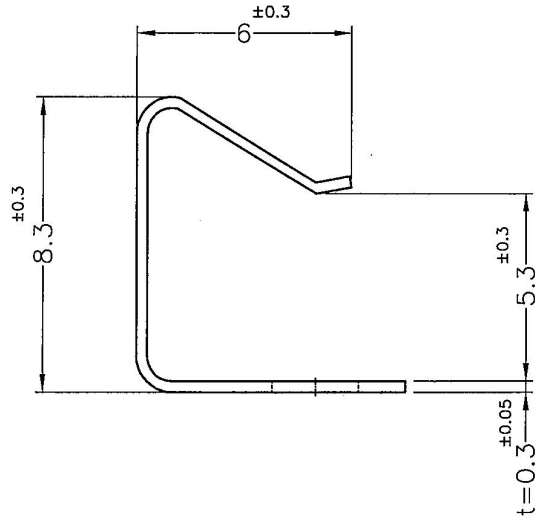
PROPRIETARY AND CONFIDENTIAL THE INFORMATION CONTAINED IN THIS DRAWING IS THE SOLE PROPERTY OF TOBY'S MANUFACTURER ENTERPRISE CO. ANY REPRODUCTION IN PART OR AS A WHOLE WITHOUT THE WRITTEN PERMISSION OF TOBY'S MANUFACTURER IS PROHIBITED.	DATE	2017.10.02	TITLE	TR. CLAMP	DWG. NO.	TRMC-154	PART NO.	TRMC-154
	DRAWN	XIAO	MATERIAL	SUS	SIZE	A4	SPEC. DWG.	REV
	CHECKED		COLOR		FINISH			A
	APPROVED		UNLESS OTHERWISE SPECIFIED TOLERANCE: SEE ABOVE		SCALE: 5:1	UNIT	mm	SHEET 1 OF 1
DO NOT SCALE DRAWING								

REVISIONS			
REV	DESCRIPTION	DATE	BY


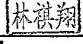



				TITLE	電晶體夾	產品規格圖面	
				MATERIAL	SUS 301	DATE	2009.07.24
PART NUMBER TRMC-49				DRAWING NUMBER		TRMC-49	
				FINISH		DRAWN	Eric
SIZE	SCALE	UNIT	REV	COLOR		CHECK	
A4	5:1	mm	B	UNLESS OTHERWISE SPECIFIED TOLERANCE	±0.2	APPROVED	





TOBY ELECTRONICS LTD  
www.toby.co.uk | sales@toby.co.uk

 <b>VALCON</b> <small>QUALITY VALUE COMPONENTS</small>	DATE 2015.10.08	TITLE TRANSISTOR CLAMP	DWG. NO. TRMC-141		PART NO. TRMC-141		
	DRAWN T.C	MATERIAL SUS	SIZE A4	SPEC. DWG.		REV A	
	CHECKED 	COLOR	FINISH	SCALE: 5:1	UNIT mm	SHEET 1 OF 1	
	APPROVED 	UNLESS OTHERWISE SPECIFIED TOLERANCE: SEE ABOVE					

DO NOT SCALE DRAWING