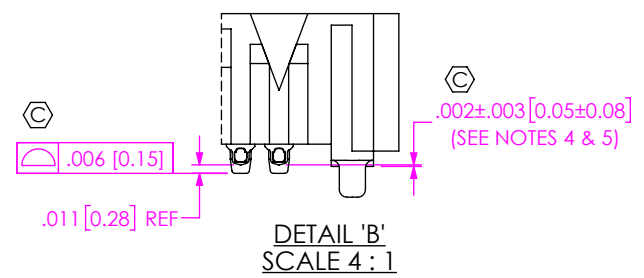
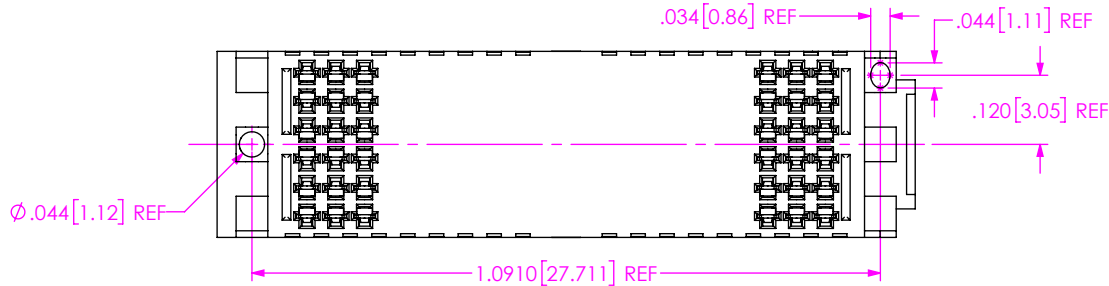
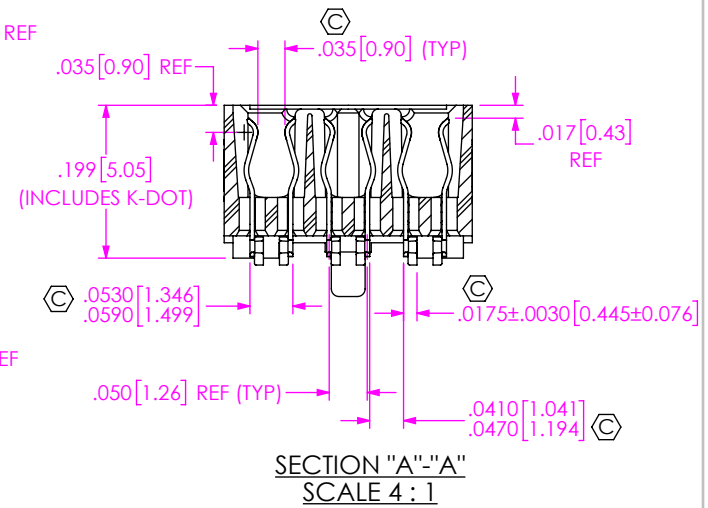
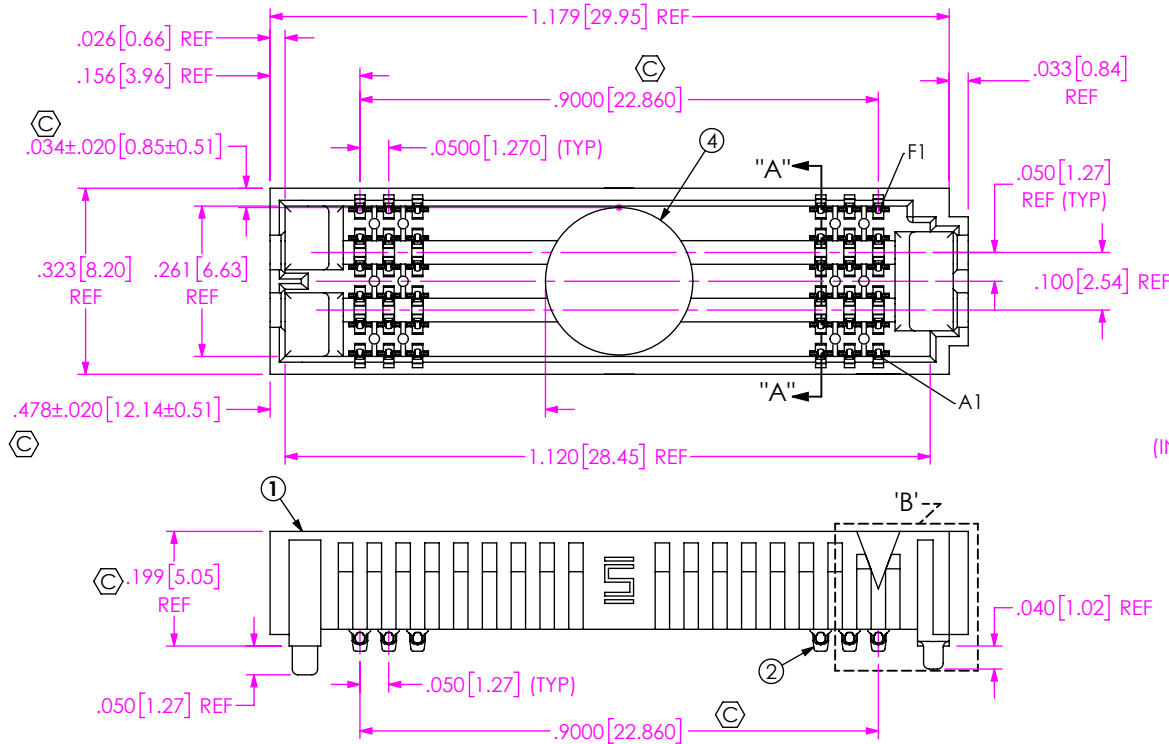
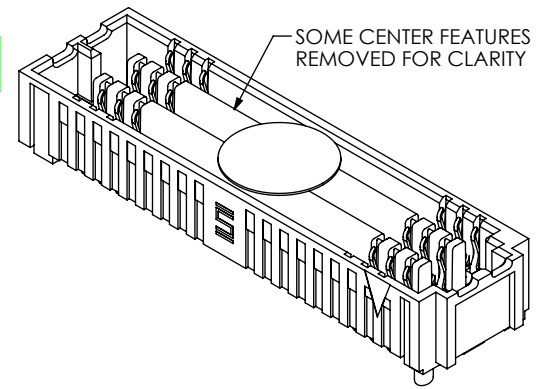


NOTES:

1. VITA 88. -19 POSITION IS NOT AVAILABLE AS STANDARD WITH -.05.0 BODY HEIGHT.
2. Ⓢ REPRESENTS A CRITICAL DIMENSION.
3. MINIMUM PUSHOUT FORCE: 0.50 LBS.
4. DIMENSION MUST BE MEASURED USING INSPECTION FIXTURE AT-1817-836-2, USE CO-AU-WI-2003-M FOR PROCESS.
5. MEASURED FIRST & LAST POSITIONS ONLY, ALL ROWS.
6. NON-FUNCTIONAL VOIDING IN PLASTIC BODY TO BE AT SAMTEC'S DISCRETION.
7. PARTS TO BE PACKAGED IN TAPE AND REEL.
ATTACH LABEL "SEAX-0001" TO EACH TAPE & REEL PACKAGE.

Pb THIS PRODUCT MANUFACTURED WITH LEAD-FREE PROCESSING



BY SIGNING THIS DOCUMENT YOU ARE ACCEPTING THE CONDITIONS SET WITHIN. YOUR REQUIREMENTS MUST BE LISTED WITHIN THIS DRAWING. WHERE NO DIRECTION FROM THE CUSTOMER IS IDENTIFIED SAMTEC'S PROCESS REQUIREMENTS WILL BE USED.

DATE: _____
 COMPANY: _____
 CUSTOMER SIGNATURE: _____
 PRINTED NAME: _____
 PHONE NO.: _____
 EXCEPTIONS: _____

ITEM NO.	PART NUMBER	QUANTITY	MATERIAL
1	ASP-213616-01-B	1.0000	LCP, COLOR: BLACK
2	NEW-SUB-C-209-05.0-S-2	114.00	BeCu/LEAD FREE SOLDER
3	CT-ASP5798MS	.00250	CONDUCTIVE POLYMER
4	K-DOT-.256-.375-.005	1.0000	POLYIMIDE FILM

UNLESS OTHERWISE SPECIFIED, DIMENSIONS ARE IN INCHES.

TOLERANCES ARE:
 DECIMALS .XX: ±.01[0.3]
 .XXX: ±.005[0.13]
 .XXXX: ±.0020[0.051]

ANGLES 2°

PROPRIETARY NOTE
 THIS DOCUMENT CONTAINS CONFIDENTIAL AND PROPRIETARY INFORMATION AND ALL DESIGN, MANUFACTURING, REPRODUCTION, USE, PATENT RIGHTS AND SALES RIGHTS ARE EXPRESSLY RESERVED BY SAMTEC, INC. THIS DOCUMENT SHALL NOT BE DISCLOSED, IN WHOLE OR PART, TO ANY UNAUTHORIZED PERSON OR ENTITY NOR REPRODUCED, TRANSFERRED OR INCORPORATED IN ANY OTHER PROJECT IN ANY MANNER WITHOUT THE EXPRESS WRITTEN CONSENT OF SAMTEC, INC.

DO NOT SCALE DRAWING SHEET SCALE: 3:1

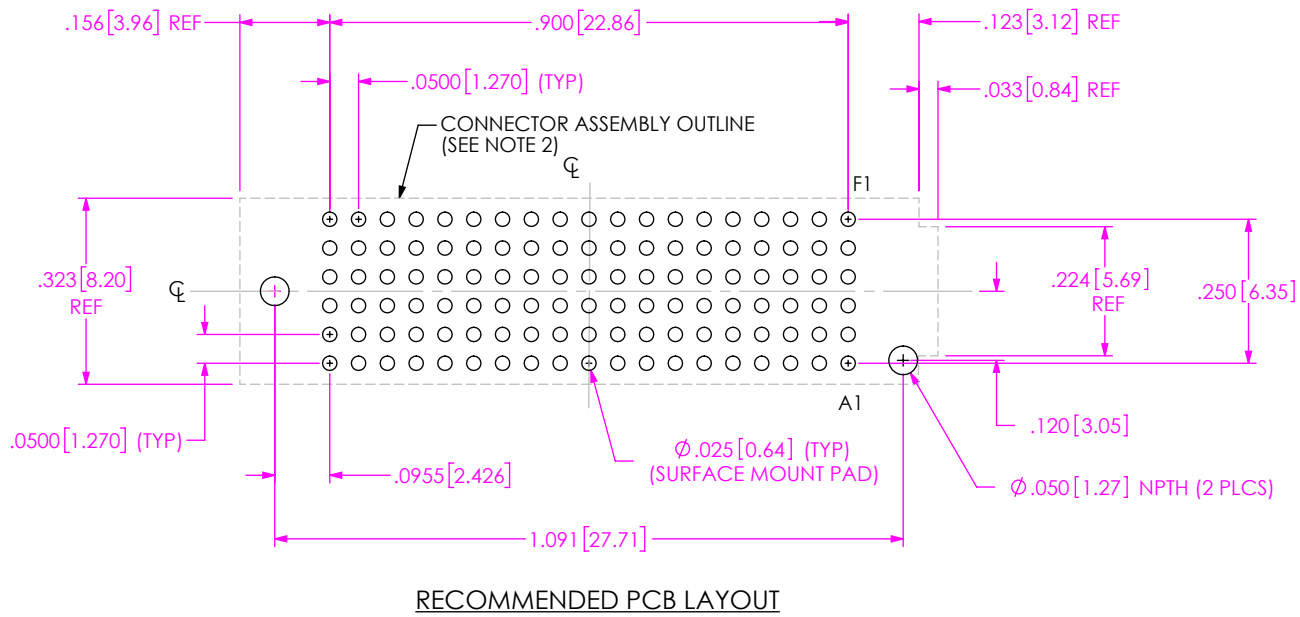
PLATING:
 CONTACT AREA: .000030 GOLD OVER .000100 NICKEL
 REMAINDER: .000200 TIN OVER .000050 NICKEL
 SOLDER COMPOSITION: 95.5%TIN/3.8% SILVER/0.7% COPPER

samtec
 520 PARK EAST BLVD, NEW ALBANY, IN 47150
 PHONE: 812-944-6733 FAX: 812-948-5047
 e-Mail: info@SAMTEC.com code 53322

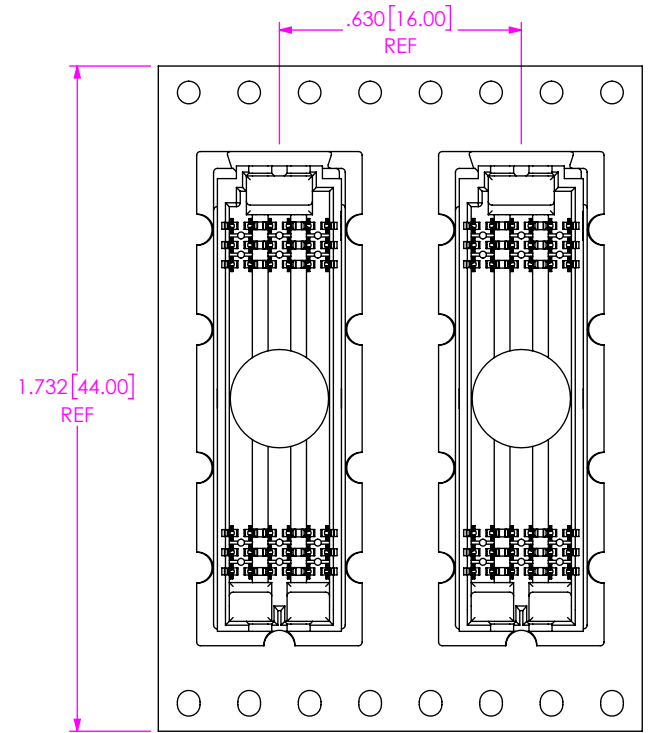
DESCRIPTION:
 VITA 88 MODIFIED SEAF ASM 19 POS ,6 ROW
 DWG. NO. ASP-212942-02

BY: BEHAGG 09/03/2019 SHEET 1 OF 2

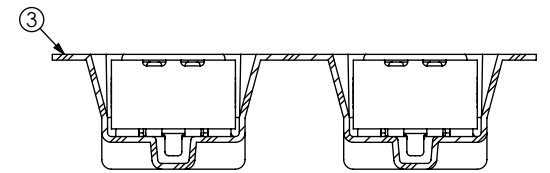
c:\enterprise\va\DWG\MISC\MKTG\ASP-212942-02-MKT.SLDDRW



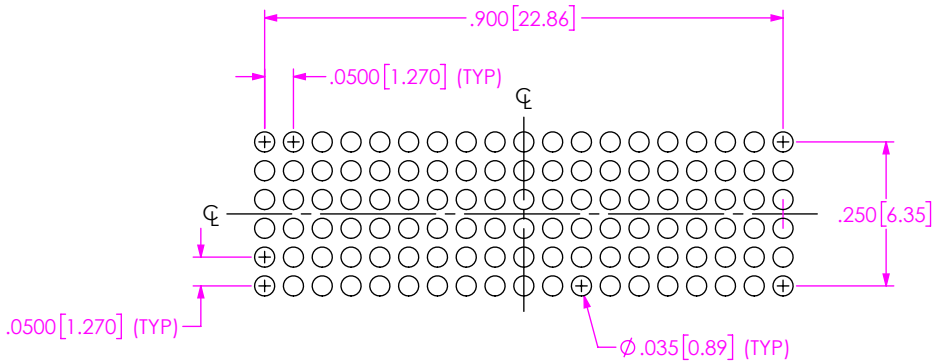
- NOTES:
 1. ALL DIMENSIONS ARE SYMMETRIC ABOUT THE CENTERLINE.
 2. CONNECTOR ENVELOPE DIMENSIONS, OTHER COMPONENTS PLACED ON PCB SHALL AVOID THIS ZONE.



USER DIRECTION OF UN-REELING →
 POCKET NOT DETAILED



PACKAGING VIEW



NOTE:
 STENCIL TO BE .0060 [0.152] THICK.

PROPRIETARY NOTE

THIS DOCUMENT CONTAINS CONFIDENTIAL AND PROPRIETARY INFORMATION AND ALL DESIGN, MANUFACTURING, REPRODUCTION, USE, PATENT RIGHTS AND SALES RIGHTS ARE EXPRESSLY RESERVED BY SAMTEC, INC. THIS DOCUMENT SHALL NOT BE DISCLOSED, IN WHOLE OR PART, TO ANY UNAUTHORIZED PERSON OR ENTITY NOR REPRODUCED, TRANSFERRED OR INCORPORATED IN ANY OTHER PROJECT IN ANY MANNER WITHOUT THE EXPRESS WRITTEN CONSENT OF SAMTEC, INC.



520 PARK EAST BLVD. NEW ALBANY, IN 47150
 PHONE: 812-944-6733 FAX: 812-948-5047
 e-Mail info@SAMTEC.com code 55322

SHEET SCALE: 3:1

DESCRIPTION:
 VITA 88 MODIFIED SEAF ASM 19 POS ,6 ROW

DWG. NO.
ASP-212942-02

BY: BEHAGG 09/03/2019 SHEET 2 OF 2