

GRF7-J, GRF7-P SERIES

(5.00 mm) .197"

75 Ω GANGED MICRO-MINI RF SYSTEMS

SPECIFICATIONS

For complete specifications and recommended PCB layouts see www.samtec.com?GRF7-J or www.samtec.com?GRF7-P

- Housing Material:** ABS
- Shell Material:** Brass
- Insulator Material:** PTFE
- Contact Material:** BeCu
- Pin Material:** Brass
- Operating Temp Range:** -55 °C to +125 °C
- Impedance:** 75 Ω
- Dielectric Withstanding Voltage:** 500 Vrms, 50 Hz
- Dielectric Working Voltage:** 170 Vrms, 50 Hz
- Frequency Range:** 0-6 GHz
- RoHS Compliant:** Yes

PROCESSING

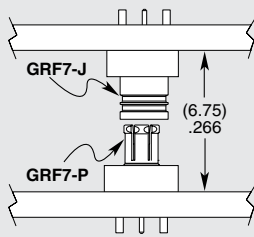
Lead-Free Solderable: Yes

RECOGNITIONS

For complete scope of recognitions see www.samtec.com/quality



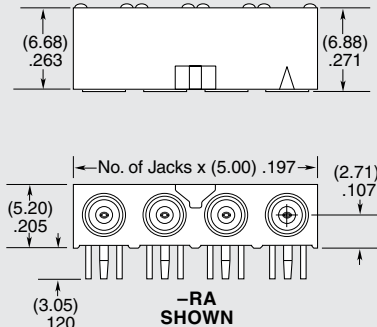
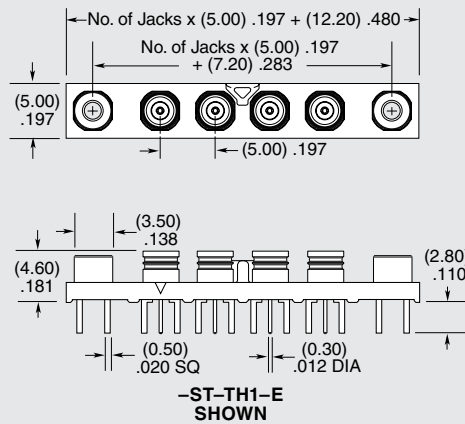
APPLICATION



OTHER SOLUTIONS

- Cable assembly (see GRF7H-C Series)

GRF7	J	P	NO. OF JACKS	PLATING	LEAD STYLE	TH1	INSERT OPTION
Mates with: GRF7-P, GRF7H-C			-02, -04, -06, -08	-GF = 10 μ" (0.25 μm) Gold center contact, 3 μ" (0.08 μm) Gold outer contact	-ST = Vertical -RA = Right-angle	-E = #1 - 64 Through-hole Threaded Insert, Mates with GRF7-C with captive screw option	



GRF7	P	P	NO. OF PLUGS	PLATING	ST	TH1
Mates with: GRF7-J			-02, -04, -06, -08	-GF = 10 μ" (0.25 μm) Gold center contact, 3 μ" (0.08 μm) Gold outer contact		

