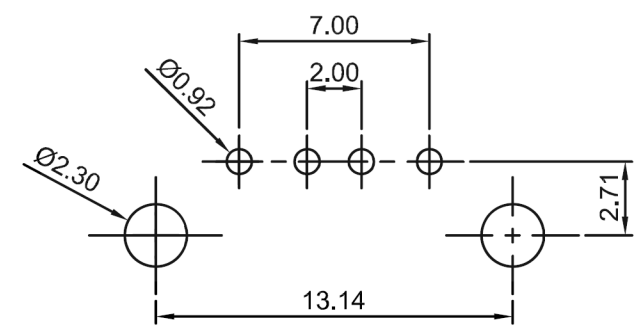
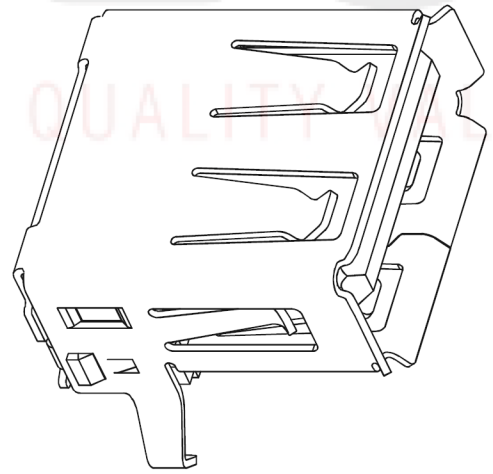
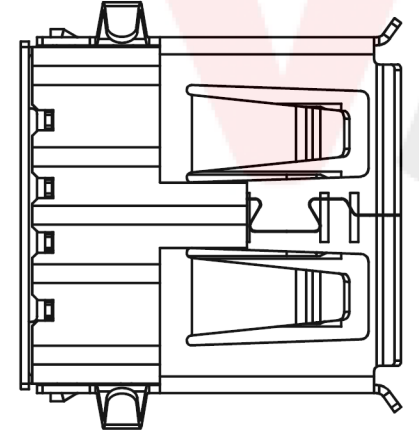
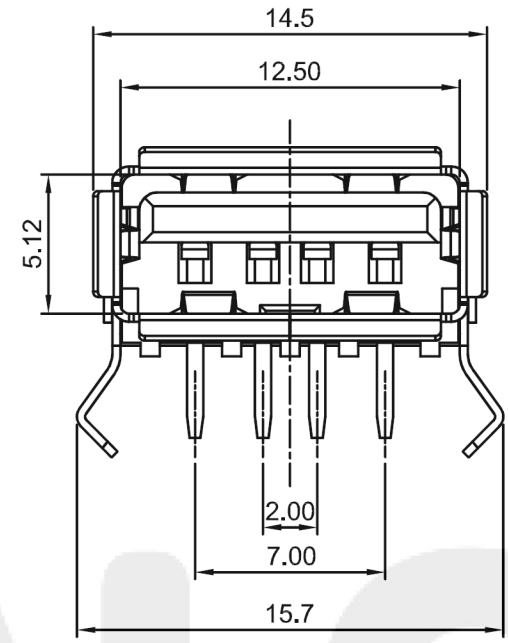
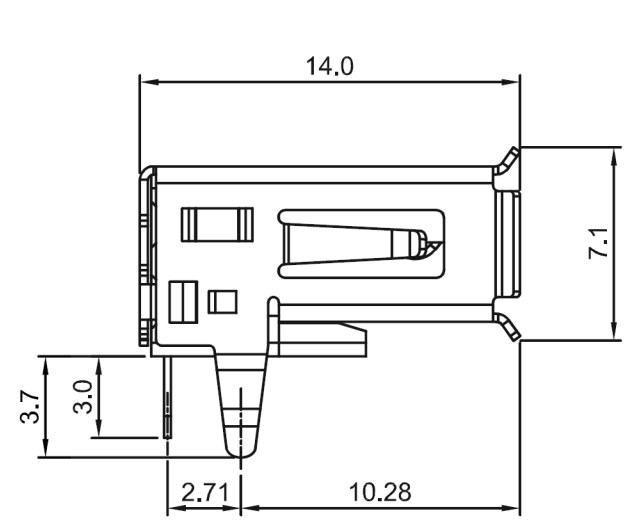


Dept	Qty
DC	1
ED	1
IE	1
ISO	1
PD	1
R&D	1
SD	1
QA	1
QC	1
QE	1

REV.	DESCRIPTION	DRAWN	CHECKED	APPROVED
A	NEW RELEASE	LL 11/13/06'		LJC 11/13/06'
B	DRAWING UPDATE	JLZ 08/26/19'		



RECOMMEND PCB LAYOUT
(TOLERANCE=±0.05)

Notes:

Specifications:

1. Contact Resistance: 30mΩ Max.
2. Insulation Resistance: 1000MΩ Min.
3. Dielectric Withstanding Voltage: 750V AC(rms) For 1 Minute.
4. Current Rating: 1.5A Max
5. Voltage Rating: 30V Max
6. Temperature: -40°C~+85°C.

Materials:

1. Contact Material: Copper Alloy.
2. Shell Material: Copper Alloy or Steel.
3. Insulator Material: Thermoplastic, Black or White.
4. Contact Plating: Selective Golf Flash
5. Shell Plating: Nickel

Mechanical Characteristics:

1. Mating Force: 3.57Kgf Maximum.
2. Unmating Force: 1.02Kgf Minimum.
3. Durability: 1500 Cycles

Product Number Code:

VUSB-A-1- X-(R1)

Color of housing
W: White (R1) for white insulator only
B: Black



GENERAL TOLERANCE		ANGLE TOLERANCE		PROJECTION		TITLE	USB A TYPE Single port Female TYPE				
X.	±0.60	X.	±5°	UNITS	mm	SERIES	VUSB-A-1SERIES				
.X	±0.38	.X	±3°	SHEET SIZE	A4						
.XX	±0.25	.XX	±2°	Toby Electronics Ltd www.toby.co.uk sales@toby.co.uk							
DRAWING TYPE		CUSTOMER									
SCALE		1:1						SHEET		1 OF 1	
DRAWING NO.		VUSB-A-1-x-xx									