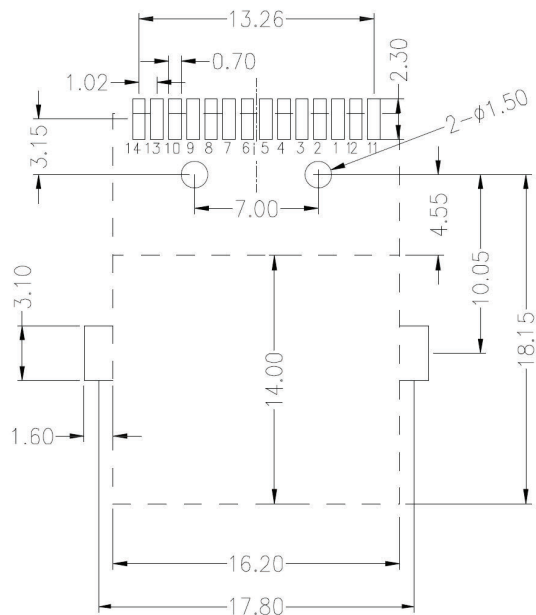
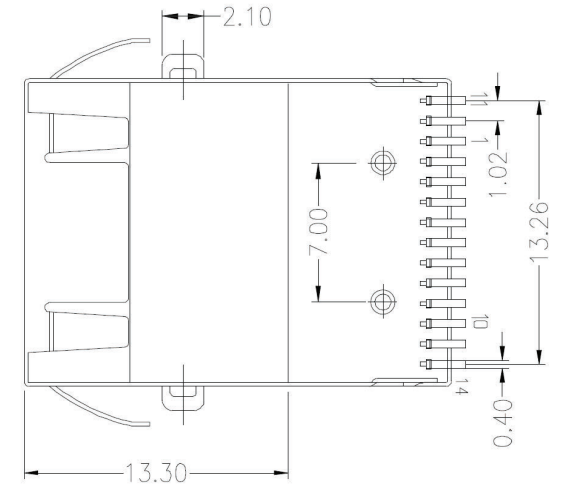
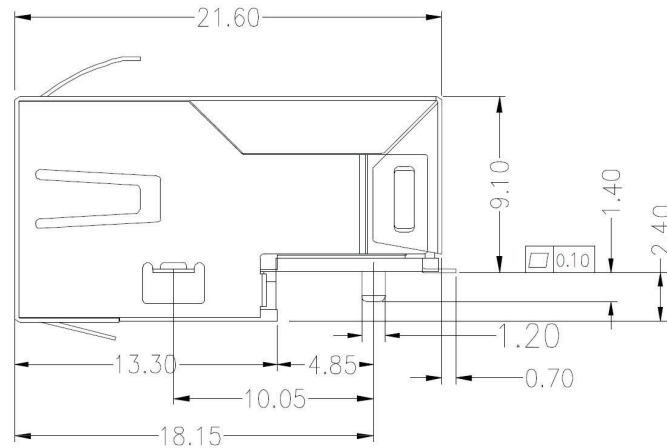
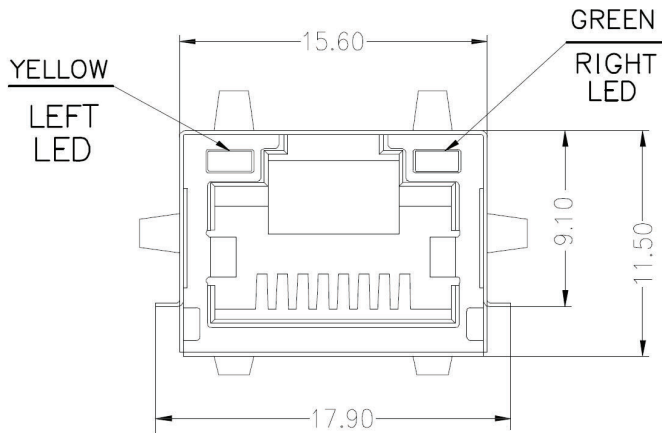


Mechanical :

REV.	ECN NO.	DESCRIPTION	DATE	APPD
A	REL		2020/06/04	



RECOMMENDED P.C.B LAYOUT
Tolerance: ±0.05



NOTES:

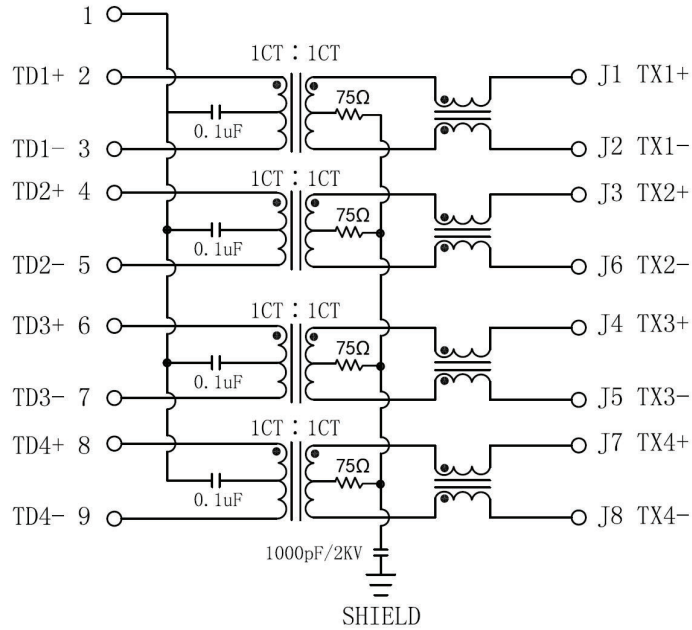
1. Designed to support application, such as SOHO (ADSL modems), LAN-on-Motherboard (LOM), hub and Switches.
2. Meets IEEE 802.3 specification
3. Connector Materials:
Housing: Thermoplastic UL94V-0
Contact/Shield: Copper alloy
Shield plating: Nickel
Contact plating: Gold 6 micro-inches min. In contact area.
4. For RoHS part add suffix NL
5. Reflow soldering 260°C degC for 5~10 sec.
6. UL Certification: File Number E484635.

X:X	±0.30	APPD:	www.toby.co.uk
X:XX	±0.25	CHKD:	
X:XXX	±0.05	DR: TOM	
ANGLES	±1°	UNIT: mm	TITLE: Surface Mount 1×1 Tab-Up Jack With 10/100/1000 Magnetic
			PART NO.: VSIMJ-RT-1-88-YG
	SCALE: 2/1	SHEET: 2/2	REV: A DWG NO: LP20060401

Schematic:

REV.	ECN NO.	DESCRIPTION	DATE	APPD
A	REL		2020/06/04	

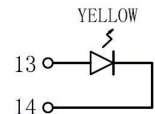
PC BOARD CONNECTIONS



RJ45 CONNECTOR

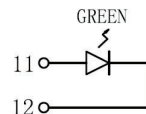
Electrical Specifications @25°C

- Turns Ratio:
Pri : Sec = 1CT : 1CT ±5%
- OCL (@100KHz 0.1V 8mA) : 350uH Min
- Insertion Loss (dB Max) :
1~100MHz: -1.0 100~125MHz: -1.2
- Return Loss (dB Min) :
1~40MHz: -16 40~60MHz: -12
60~80MHz: -10 80~100MHz: -8
- Crosstalk:
1~100MHz: -30 dB Min
- Common to Common Mode Attenuation:
1~100MHz: -30dB Min
- Isolation: 1500Vrms
- Operating Temperature: -40°C ~ +85°C.



LEFT LED

LED POLARITY		COLOR
PIN 13	PIN 14	
+	-	YELLOW



RIGHT LED

LED POLARITY		COLOR
PIN 11	PIN 12	
+	-	GREEN

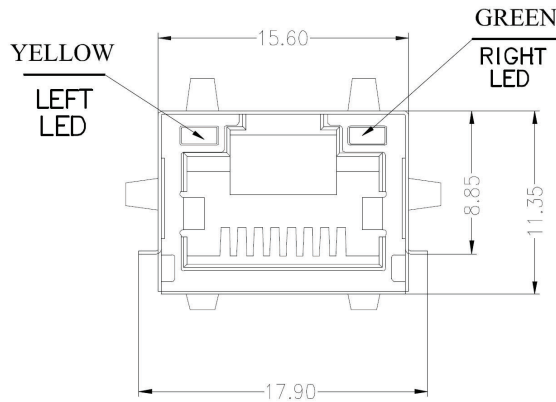


Emitting Color	λp(nm)	VF@IF=20mA	IR @VR=5V
GREEN	565	1.8~2.6V	10 μA max
YELLOW	585	1.8~2.6V	10 μA max

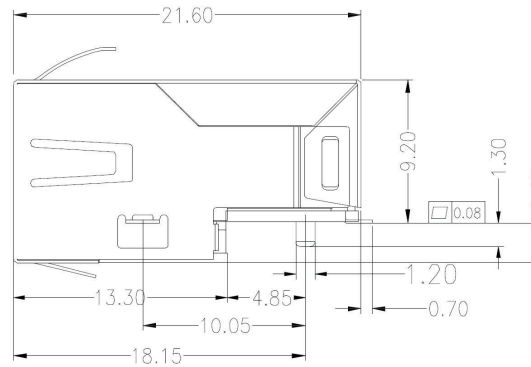
X:X	±0.30	APPD:	www.toby.co.uk
X:XX	±0.25	CHKD:	
X:XXX	±0.05	DR: TOM	TITLE: Surface Mount 1x1 Tab-Up Jack With 10/100/1000 Magnetic
ANGLES	±1°	UNIT: mm	PART NO.: VSIMJ-RT-1-88-YG
	SCALE: 2/1	SHEET: 1/2	REV: A
		DWG NO: LP20060401	

Mechanical :

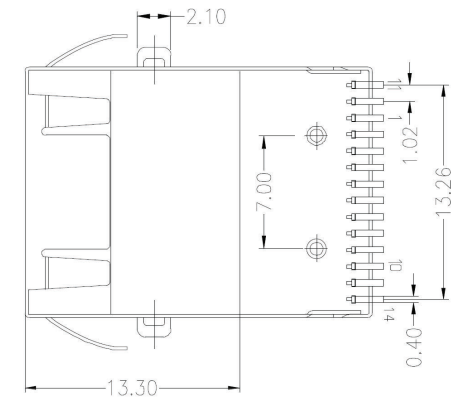
REV.	ECN NO.	DESCRIPTION	DATE	APPD
A	REL		2016/08/31	



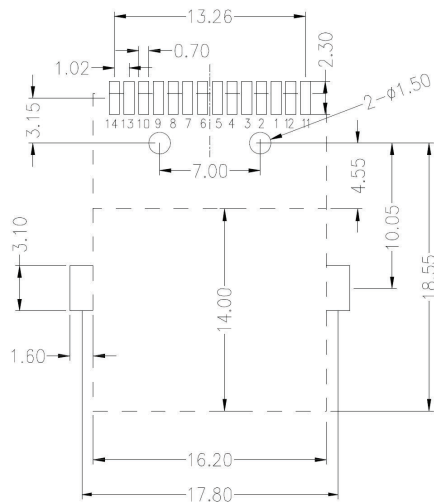
Front Side View



Left Side View



Bottom Side View



RECOMMENDED P.C.B LAYOUT
Tolerance: ±0.05



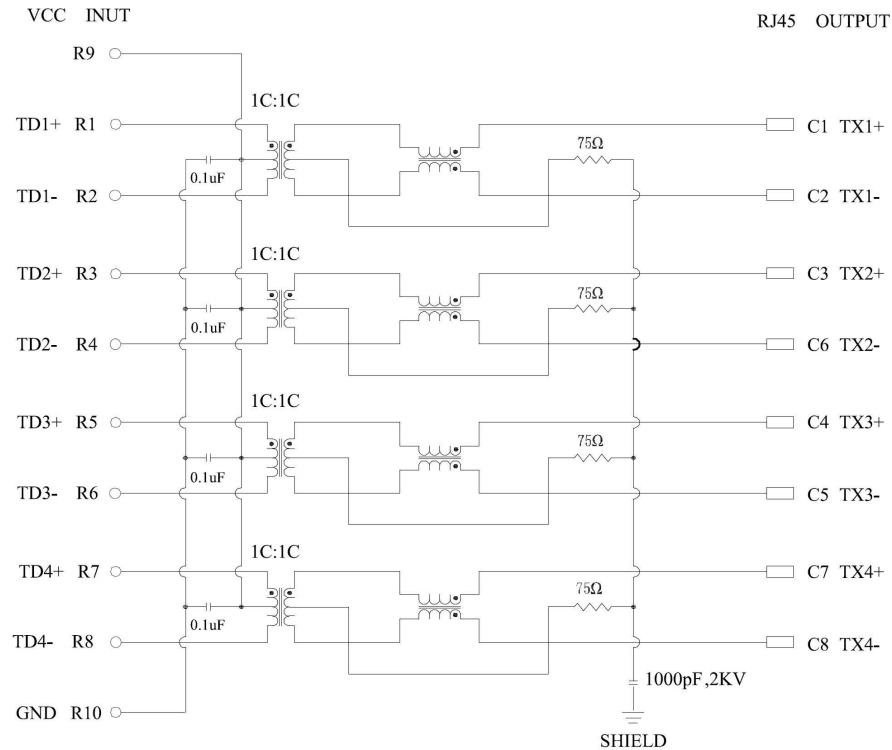
NOTES:

1. Designed to support application, such as SOHO (ADSL modems), LAN-on-Motherboard (LOM), hub and Switches.
2. Meets IEEE 802.3 specification
3. Connector Materials:
Housing: Thermoplastic UL94V-0
Contact/Shield: Copper alloy
Shield plating: Nickel
Contact plating: Gold 30 micro-inches min. In contact area.
4. For RoHS part add suffix NL
5. Reflow soldering 260°C degC for 5~10 sec.
6. UL Certification: File Number E484635.

X:X	±0.30	APPD: SAM	www.toby.couk
X:XX	±0.25	CHKD:	
X:XXX	±0.05	DR: SEA	TITLE: Surface Mount 1×1 Tab-Up Jack With 10/100/1000 Magnetic
ANGLES	±1°	UNIT: mm	PART NO.: VSIMJ-RT-88-YG
	SCALE: 2/1	SHEET: 2/2	REV: A DWG NO: LP16083110

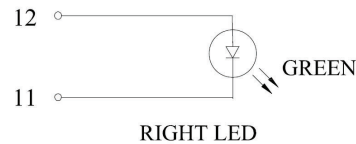
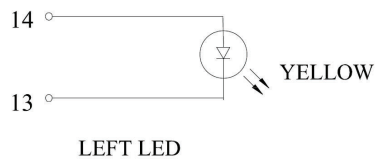
Schematic:

REV.	ECN NO.	DESCRIPTION	DATE	APPD
A	REL		2016/08/31	



Electrical Specifications @ 25°C

- Turns Ratio (@50KHz, 0.1V) :
1CT : 1CT ±3%
- INDUCTANCE (@100KHz, 100mV, 8mA DC Bias) :
J1-J2; J3-J6; J4-J5; J7-J8: 350uH Min
- Insertion Loss:
1~100MHz: -1.0dB Max
- Return Loss (dB Min) :
1~30MHz: -16 30~60MHz: -14
60~80MHz: -10
- Crosstalk (dB Min) :
1~30MHz: -40 30~60MHz: -35
60~80MHz: -30
- Common Mode Rejection:
1~100MHz: -35dB Min
- Isolation Voltage: 1500Vrms
- Operating Temperature Range: -40°C ~ +85°C.



Emitting Color	λ p(nm)	VF@IF=20mA	IR @VR=5V
GREEN	565	1.8~2.6V	10 μ A max
YELLOW	585	1.8~2.6V	10 μ A max

X:X	±0.30	APPD: SAM	www.toby.couk
X:XX	±0.25	CHKD:	
X:XXX	±0.05	DR: SEA	TITLE: Surface Mount 1×1 Tab-Up Jack With 10/100/1000 Magnetic
ANGLES	±1°	UNIT: mm	PART NO.: VSIMJ-RT-88-YG
	SCALE: 2/1	SHEET: 1/2	REV: A DWG NO: LP16083110