

MATERIALS:

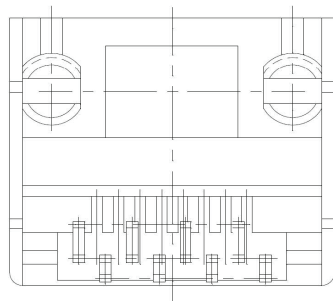
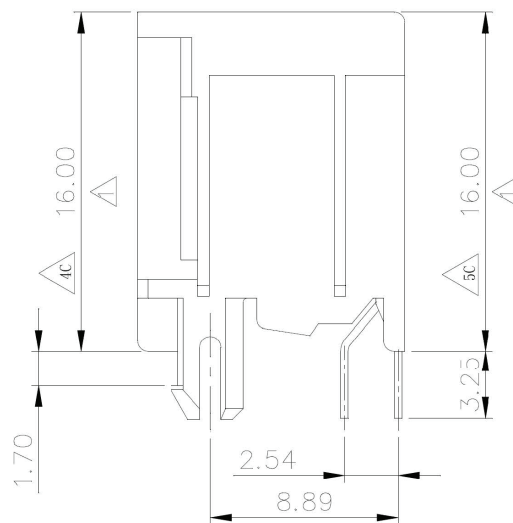
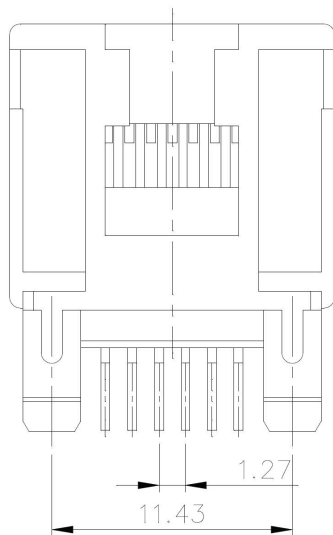
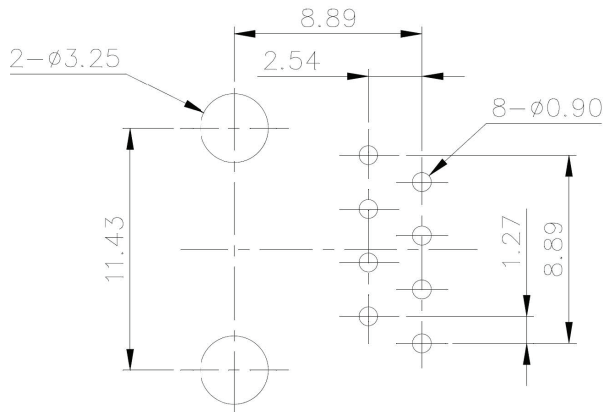
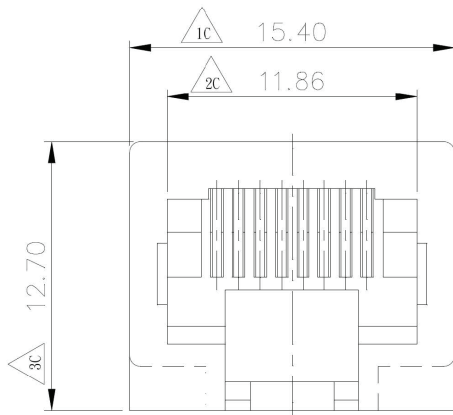
PLASTIC HOUSING: ENGINEERING THERMOPLASTIC
 FLAMMABILITY RATING UL 94V-0.

CONTACTS: PHOSPHOR BRONZE

PLATING: GOLD PLATING OVER NICKEL IN CONTACT.

MATTE TIN PLATING OVER NICKEL IN SOLDER AREA.

RoHS COMPLIANT



DR. Purple 2015-04-23	APPD. Marco 2015-04-23	TOLERANCE .XXX ±0.10 .XX ±0.25 .X ±0.38 X ±0.50 ANG ±3°	ARTICLE Top Entry PCB Jack 8P8C 6u"			
REVISION NOTE --依E303-1502009設變修改為霧錫--			DWG NO. 3017L-8821			
TOBY ELECTRONICS LTD www.toby.co.uk sales@toby.co.uk			UNIT mm	Scale 3/1	Sheet 1/1	
				REV. D		

MATERIALS:

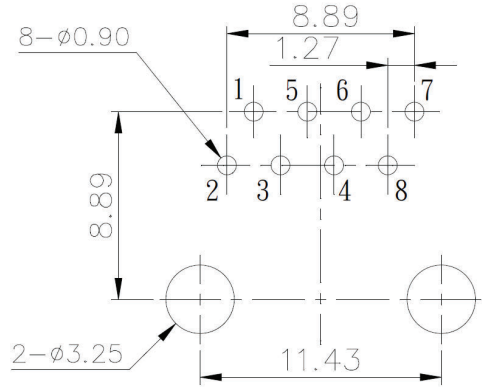
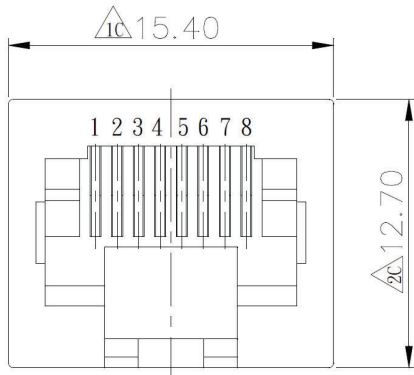
PLASTIC HOUSING: ENGINEERING THERMOPLASTIC
 FLAMMABILITY RATING UL 94V-0.
 COLOR: GRAY(431C)

CONTACTS: PHOSPHOR BRONZE

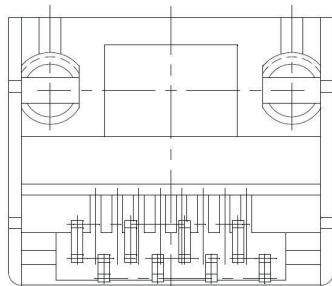
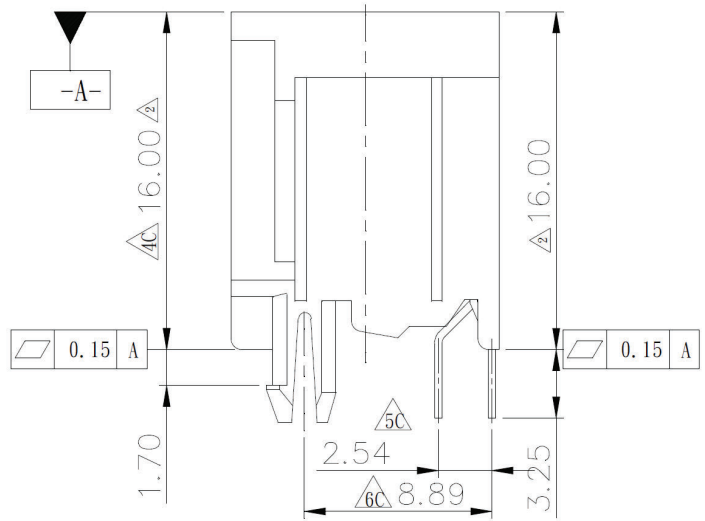
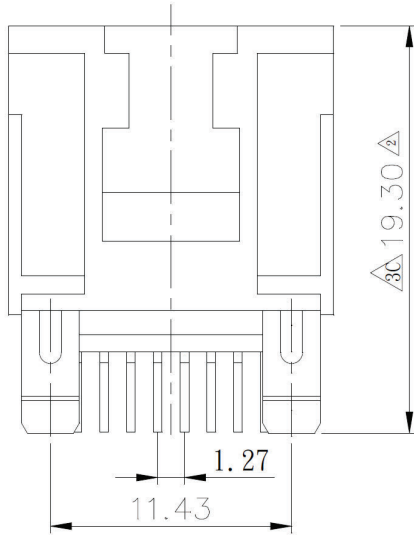
PLATING: GOLD PLATING OVER NICKEL IN CONTACT.

MATTE TIN PLATING OVER NICKEL IN SOLDER AREA.

RoHS COMPLIANT



PCB LAYOUT/ TOP VIEW



設計 DR. Purple 2015-04-24	核准 APPD. Marco 2015-04-24
--------------------------------	---------------------------------

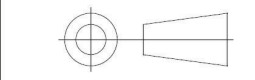
容許公差	TOLERANCE
.XXX	±0.10
.XX	±0.25
.X	±0.38
X	±0.50
ANG	±3°

品名	TOP ENTRY PCB JACK(P.C.B.T=1.6mm)CAT.5
ARTICLE	6u" Gold Contacts

版本說明	REVISION NOTE
--依E303-1502009設變修改為霧錫--	

圖號	3017L-8821-5
DWG NO.	

Toby Electronics Ltd
 www.toby.co.uk | sales@toby.co.uk



單位 UNIT	比例 SCALE	張數 SHEET	版本 REV.
mm	3/1	1/1	D