



CE US E182481



REV	DESCRIPTION	DATE
A1	EN981104-1	2009.11.04
A2	ECN-201811300001	2018.11.30

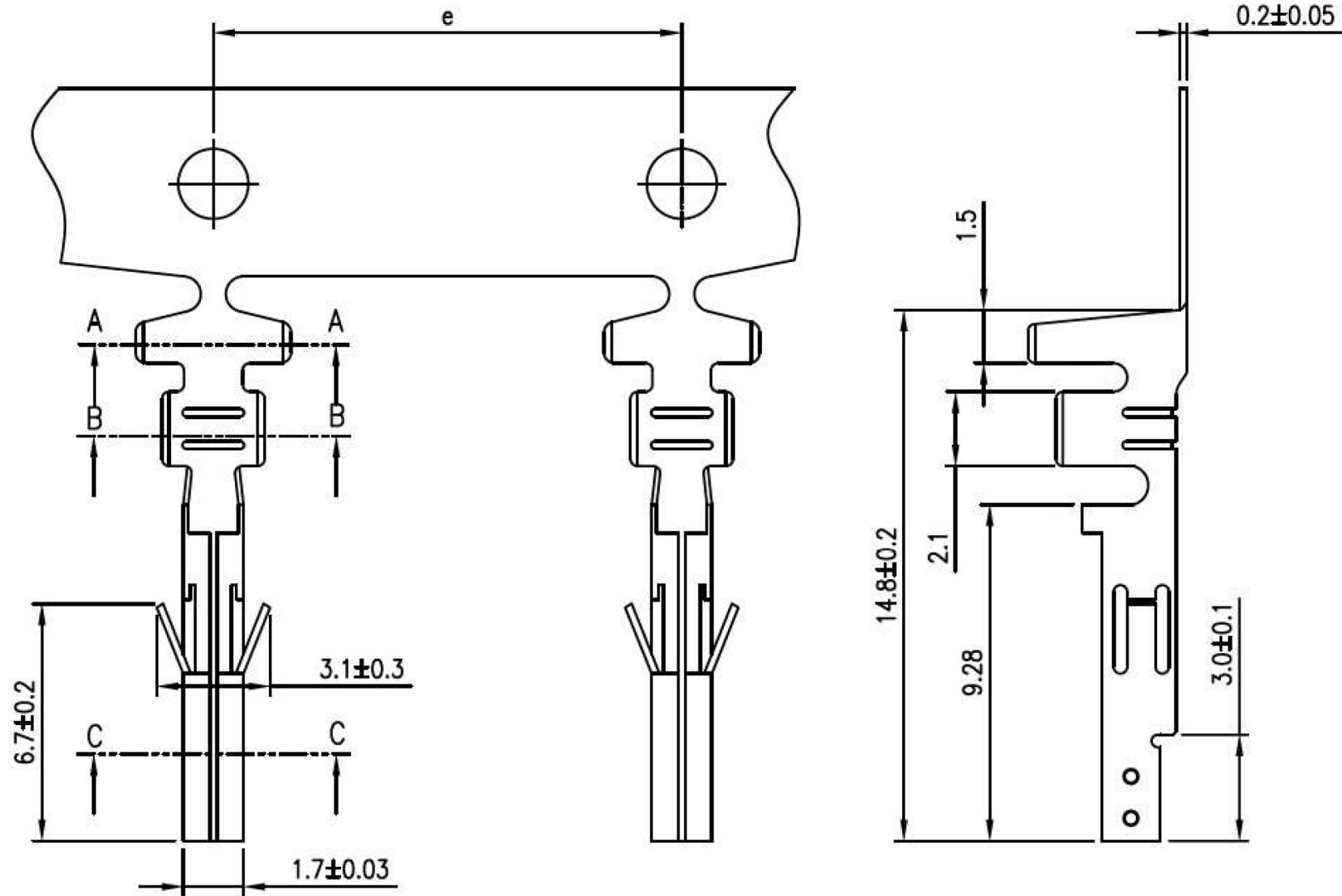
NOTES

Used in 5700-H Housing
 Material : Brass & Phosphor Bronze
 Finish : Tin-plated
 Thickness: 0.2mm

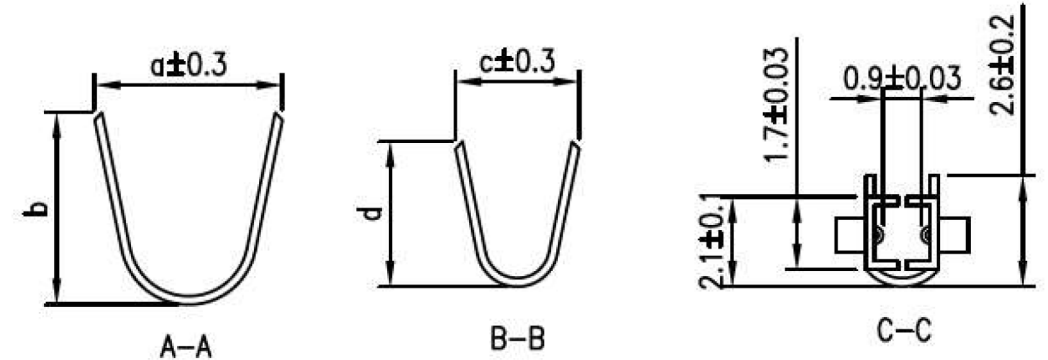
ORDERING INFORMATION

5700 - T T
 1 2

- 1. T : Socket Terminal
- 2. T : Type T (see table below)



TYPE	Wire Range	Wire Range					Insulation O.D.(mm)	Qty/reel
		a	b	c	d	e		
T	AWG #18~22	3.7	2.9	2.5	2.4	7.3	1.6-2.1	10,000PCS



TOLERANCE

X.	---
X.X	±0.25
X.XX	±0.13
X.XXX	±0.08
ANGULAR	---

APPROVALS

DRAWN	YunTing	VIEW	SCALE	PART NO.	REV.
	30-Nov-2018		F	5700-TT	A2
CHECKED	Nancy	UNIT	SIZE	DWG NO.	SHEET
	30-Nov-2018	MM	A4	5700-TT	1 OF 1
APPROVED	Nancy				
	30-Nov-2018				

www.toby.co.uk

TITLE 4.20mm(.165") Pitch Wire to Wire Terminal

Customer Drawing