

(0.635 mm) .025"

HIGH-SPEED COAX CABLE ASSEMBLIES

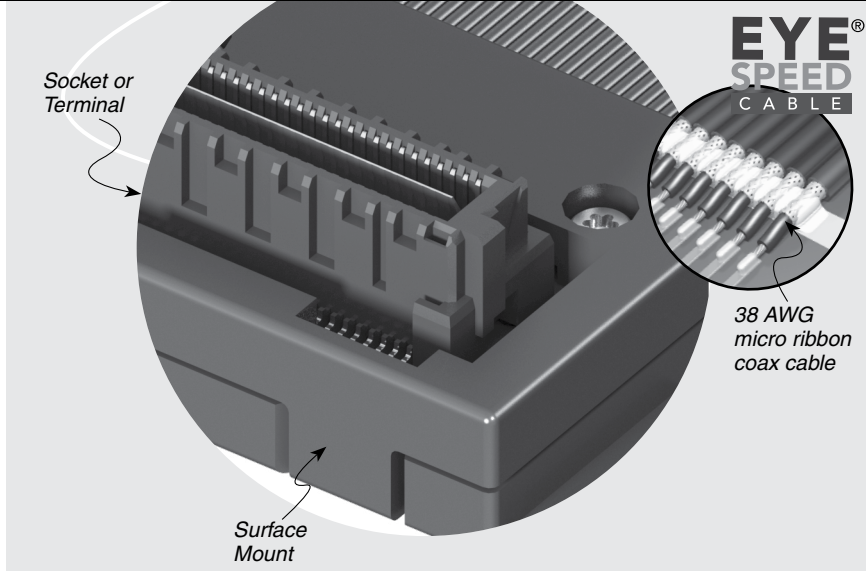
SPECIFICATIONS

For complete specifications see www.samtec.com?SQCD or see www.samtec.com?6QCD

- Cable:**
38 AWG coax micro ribbon
- Signal Routing:**
50 Ω Single-Ended
- Overall Length:**
(152 mm) 6" to (1 m) 40" standard
- Cable Flexing Life:**
>40,000 cycles
- Cable Bending Radius:**
<2.5 mm
- Plating:**
Au over 50 μm (1.27 μm) Ni
- Propagation Delay:**
4.79 nsec/meter
- Operating Temp Range:**
-40 °C to +105 °C
- RoHS Compliant:**
Yes

SQCD Mates with:
QTS, QSS

6QCD Mates with:
QMS, QFS



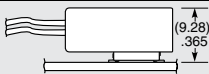
RECOGNITIONS

For complete scope of recognitions see www.samtec.com/quality



TYPE	NO. POSITIONS PER ROW	WIRE LENGTH
SQCD = Mates with QTS/QSS	-025, -050, -075 (SQCD)	- "XX.XX" = Wire Length in Inches (43.7 mm) 01.72" Minimum.
6QCD = Mates with QMS/QFS	-026, -052 (6QCD)	

APPLICATIONS

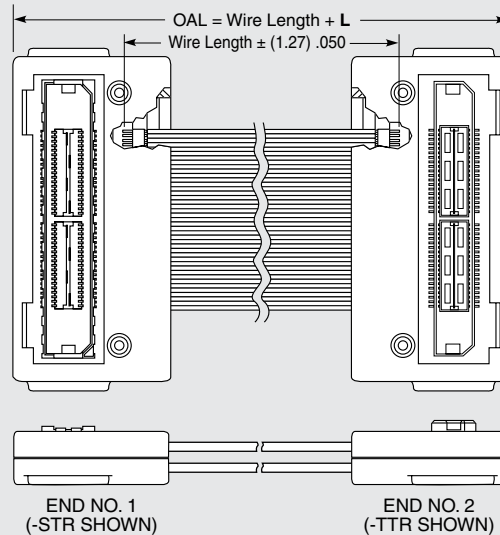


Processing conditions will affect mated height.

ALSO AVAILABLE (MOV Required)

- Other pin counts
- Other terminations

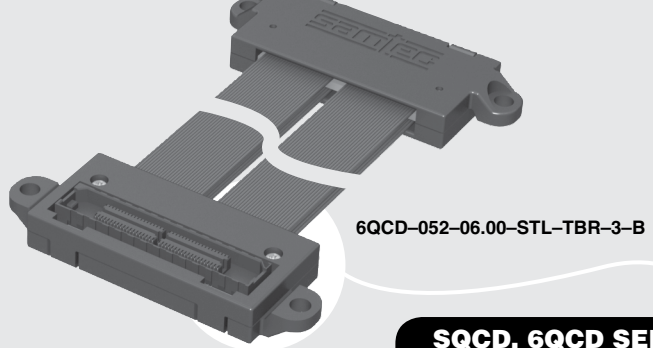
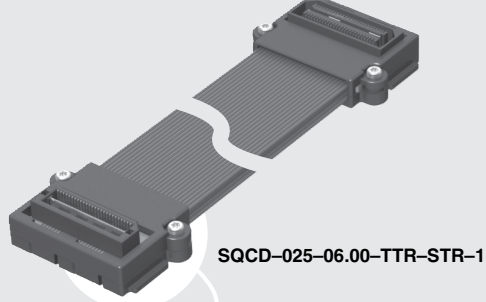
END TO END	L	
	SQCD	6QCD
Surface Mount to Surface Mount	(24.13) .950	(28.47) 1.121



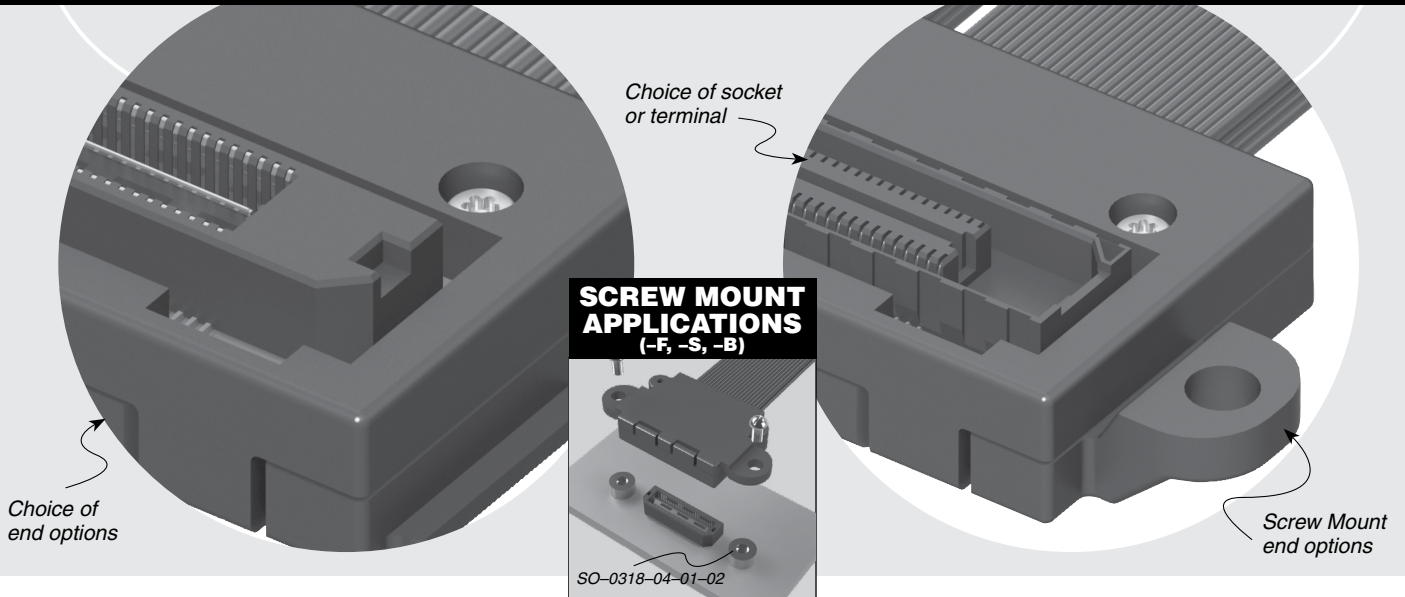
Notes:
Cable lengths longer than 40.00" (1 meter) are not supported with S.I. test data.

Design your full cable assembly with Samtec's High-Speed Cable Builder at www.samtec.com/cablebuilder

This Series is non-standard, non-returnable.

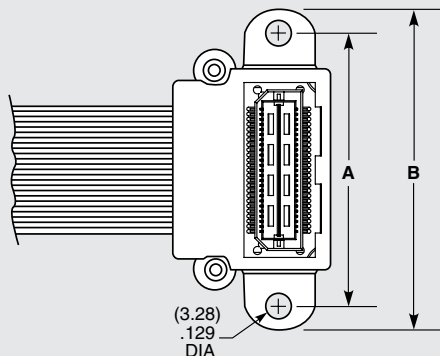


SQCD, 6QCD SERIES



END NO. 1	END NO. 2	WIRING OPTION	SCREW DOWN END OPTION
Specify END ASSEMBLIES from chart		<p>-1 = Pin 1 to Pin 1</p> <p>-2 = Pin 1 to Pin 2</p> <p>-3 = Pin 1 to Second Last Pin</p> <p>-4 = Pin 1 to Last Pin</p>	<p>Leave blank for no Screw Option</p> <p>-F = End No. 1</p> <p>-S = End No. 2</p> <p>-B = Both Ends</p>

END	SURFACE MOUNT
TTR	Terminal, Top, Notch Right
TTL	Terminal, Top, Notch Left
TBR	Terminal, Bottom, Notch Right
TBL	Terminal, Bottom, Notch Left
STR	Socket, Top, Notch Right
STL	Socket, Top, Notch Left
SBR	Socket, Bottom, Notch Right
SBL	Socket, Bottom, Notch Left



SURFACE MOUNT (-XTX & -XBX)
SCREW DOWN OPTIONS

SERIES	NO. OF POSITIONS	A	B
SQCD	-025	(40.10) 1.579	(34.00) 1.339
	-050	(60.10) 2.366	(54.00) 2.126
	-075	(80.10) 3.154	(74.00) 2.913
6QCD	-026	(45.47) 1.790	(39.50) 1.555
	-052	(66.80) 2.630	(61.00) 2.402