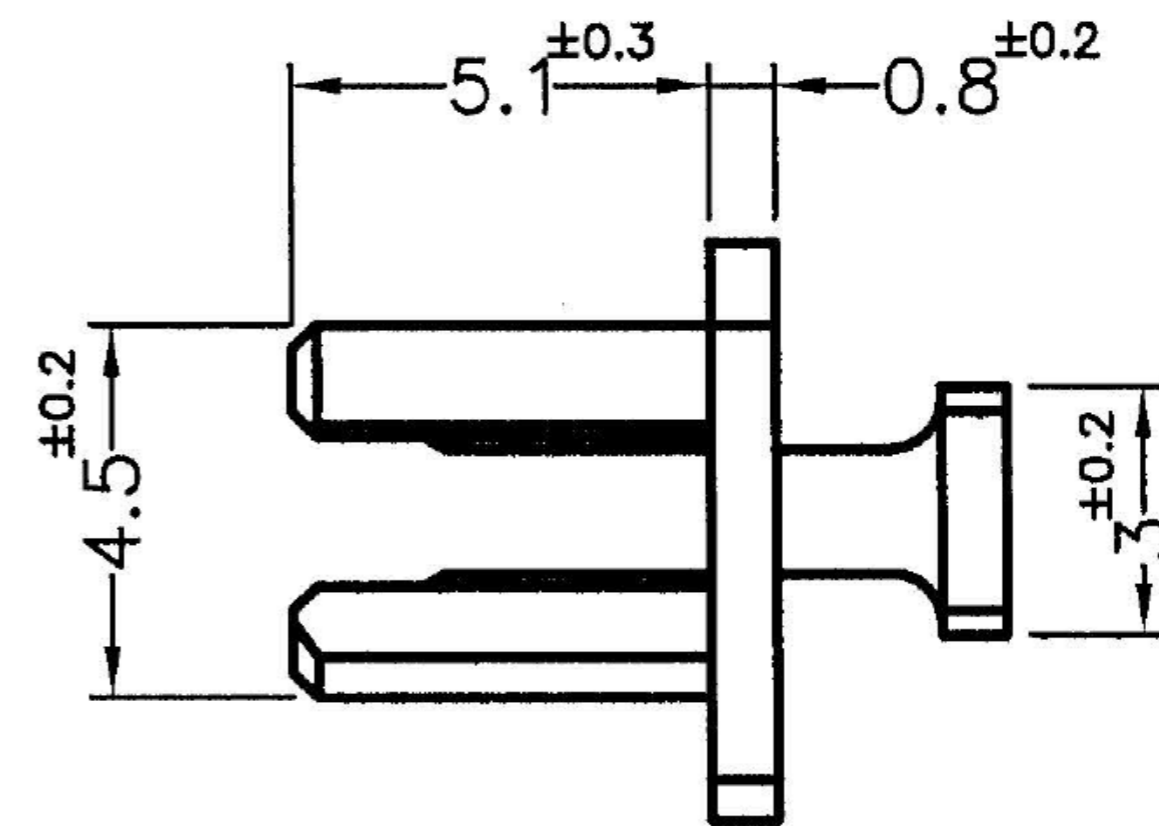
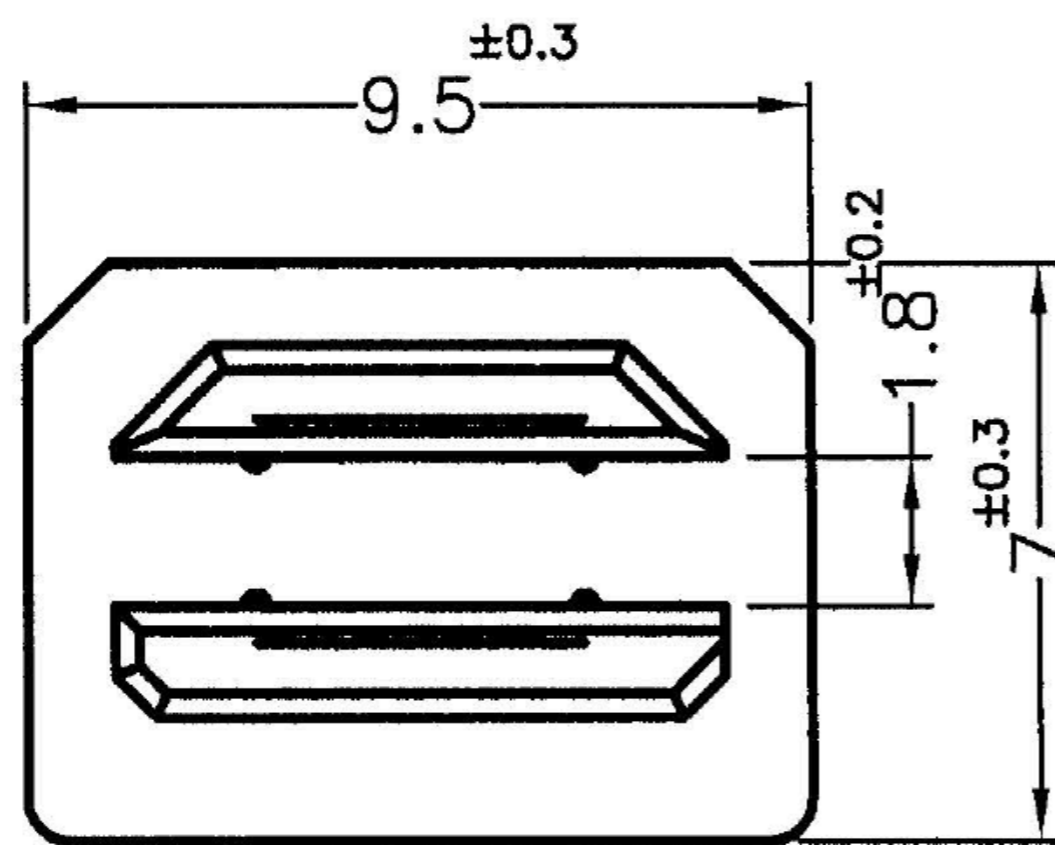
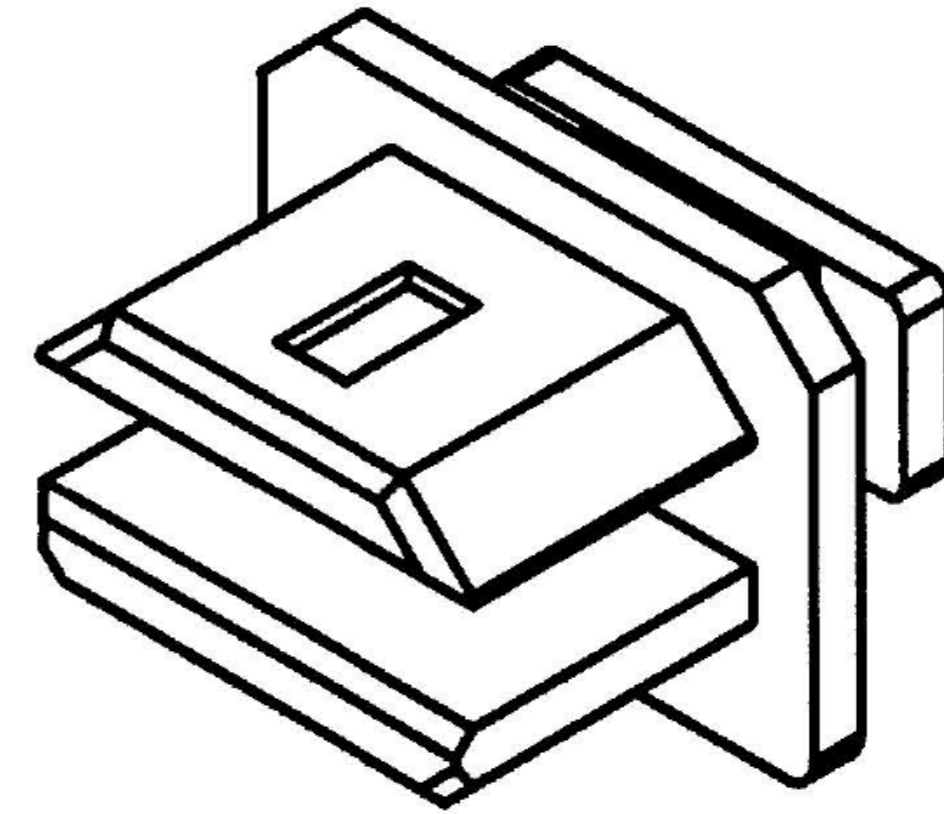
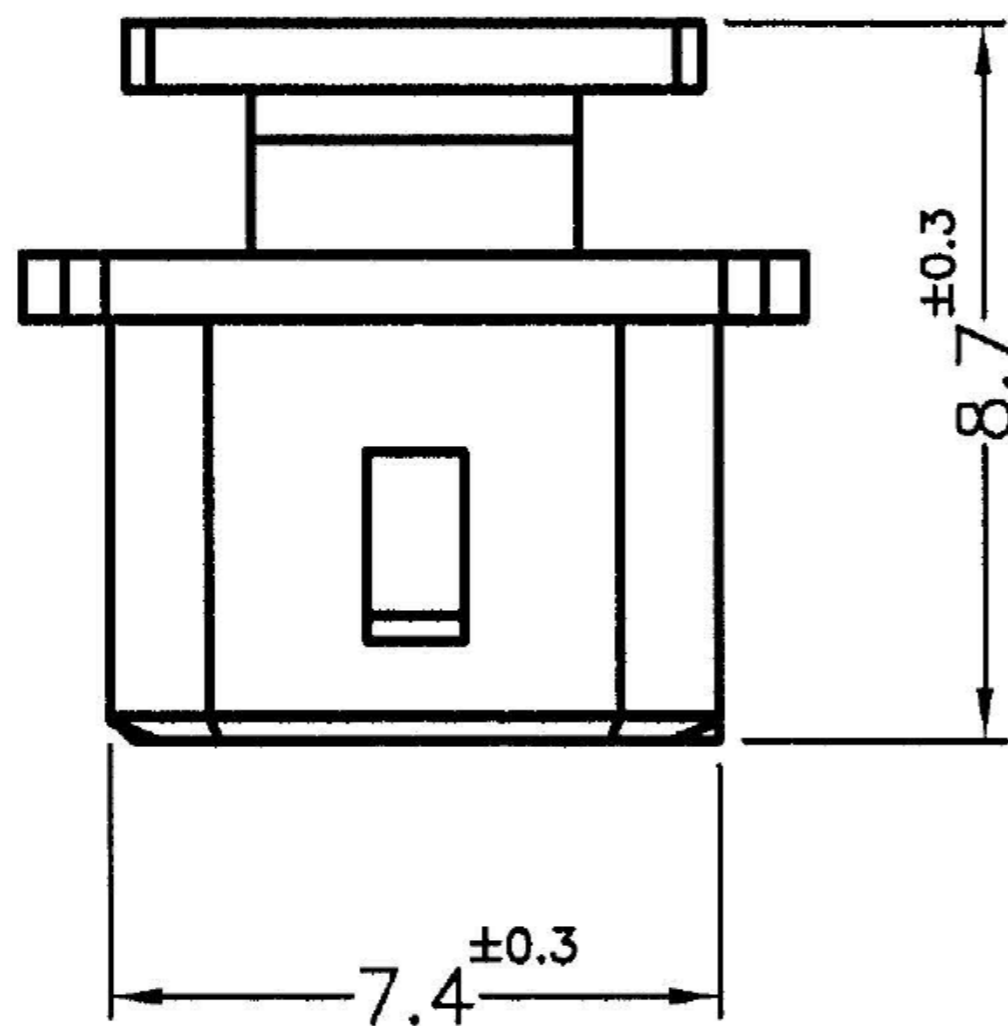




REVISIONS			
REV	DESCRIPTION	DATE	BY



PART NO.	COLOR
MIDP-2(B)	BLACK

NOTE: MADE OF EQUIVALENT MATERIAL.



Toby Electronics Ltd
 W: www.toby.co.uk
 E: sales@toby.co.uk

TITLE	CONNECTOR COVER	SPEC. DWG.
MATERIAL	PE	DATE 2010.06.24
HARDNESS		DRAWN T.C
COLOR	SEE ABOVE	CHECK
UNLESS OTHERWISE SPECIFIED TOLERANCE	SEE ABOVE	APPROVED

PART NUMBER	SEE ABOVE	DRAWING NUMBER	MIDP-2B
SIZE	A4	UNIT	mm
SCALE	4:1	REV	B