



(5.00 mm) .1969" PITCH • 30 A CABLE ASSEMBLY/COMPONENTS

| MPSS | NO. OF POSITIONS | WIRE GAUGE | PLATING OPTION | ASSEMBLED LENGTH | END 1 OPTION | END 2 OPTION |
|------|------------------|------------|----------------|------------------|--------------|--------------|
|------|------------------|------------|----------------|------------------|--------------|--------------|

-02, -03,
-04, -06, -08

-14
-16

-L
= 10 μ" (0.25 μm)
Gold on contact

-T
= Matte Tin

"XX.XX"
= Wire length in inches (83.00 mm)
03.25" min.

-SR
= Single End

-DR
= Double End

(Available with -DR only)

-NUS
= Notch up, straight

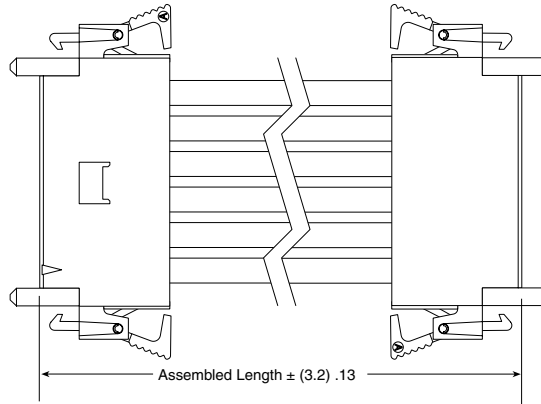
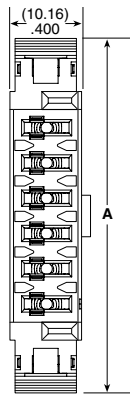
-NDS
= Notch down, straight

POWER STRIP™ 30

MPSS
Board Mates:
MPT

SPECIFICATIONS

Insulator Material:
Nylon 6/6
Contact Material:
Copper Alloy
Plating:
Au or Sn over
50 μ" (1.27 μm) Ni
Latch:
Nylon 6/6
Operating Temp Range:
-30 °C to +105 °C
Voltage Rating:
600 VAC/848 VDC
Wire:
14 or 16 AWG



| NO. OF POSITIONS | A |
|------------------|---------------|
| -02 | (30.07) 1.184 |
| -03 | (35.07) 1.381 |
| -04 | (40.08) 1.578 |
| -06 | (50.09) 1.972 |
| -08 | (60.10) 2.366 |

| MPSS/MPT-V | |
|---------------|--------------------------|
| WIRE GAUGE | CURRENT RATING (PER PIN) |
| 14 AWG | 19.7 A |
| 16 AWG | 15.9 A |
| 1 PIN POWERED | |

| IMS5 | POSITIONS PER ROW | 02 | SERIES | WIRE GAUGE | 01 | PLATING OPTION |
|------|-------------------|----|--------|------------|----|----------------|
|------|-------------------|----|--------|------------|----|----------------|

-02, -03, -04, -06, -08

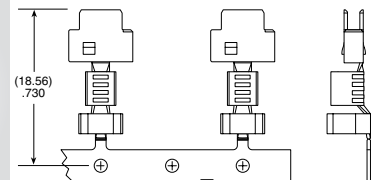
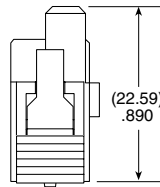
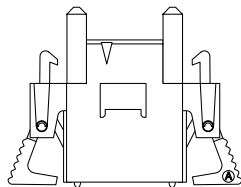
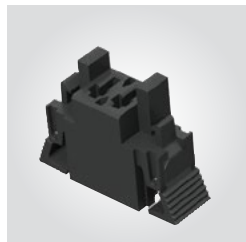
CC46L
= Contact, Loose

-1416
= 14 to 16 AWG

-L
= 10 μ" (0.25 μm)
Gold on contact

CC46R
= Contact, Full Reel

-T
= Matte Tin



TOOLING

Hand Tool: CAT-HT-246-1416-14 (14-16 AWG)

Mini Applicator: CAT-MC-246-1416-XX-02 (14-16 AWG)

Extraction Tool: CAT-EX-MPSS-01

Note:
Some lengths, styles and options are non-standard, non-returnable