

USB3-B-S-F-TH



USB3-A-S-S-TH



USB3-A, USB3-B SERIES

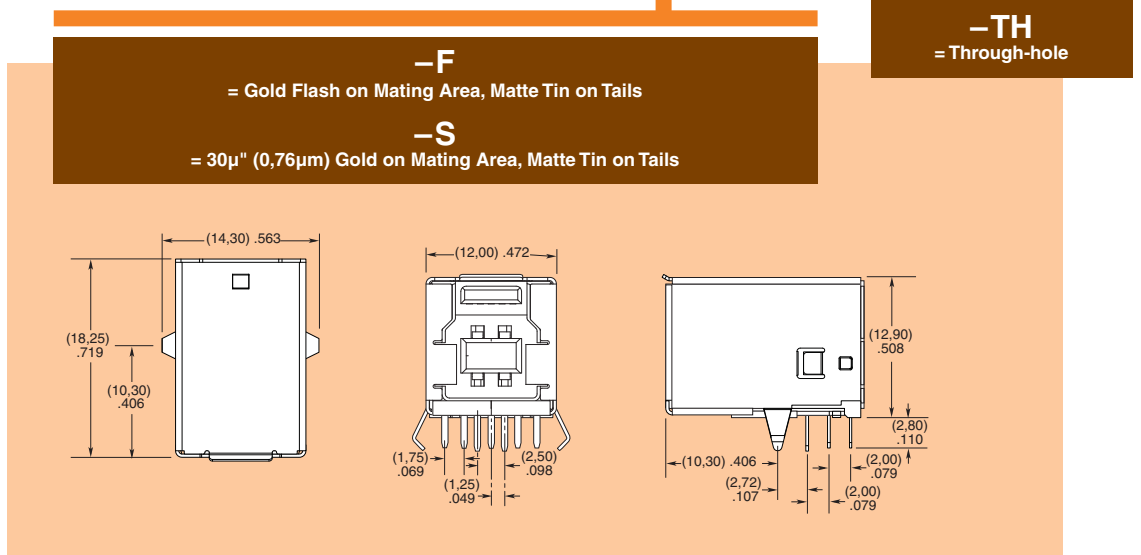
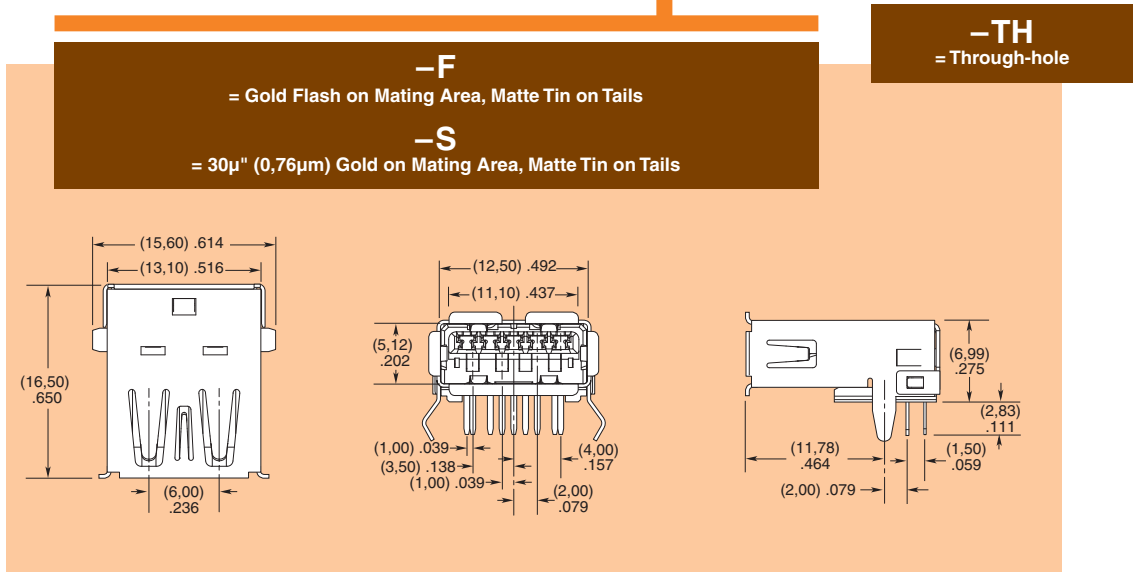
USB 3.0 INTERFACES

USB3-A Mates with:
USBC3-AM

USB3-B Mates with:
USBC3-BM

SPECIFICATIONS

Insulator Material:
Nylon 6T Blue
Contact Material:
Phosphor Copper
Plating:
Au or Sn over 50µ" (1,27µm) Ni
Shield Plating:
50µ" (1,27µm) Ni
Front Shield:
Phosphor Copper
Back Shield:
Brass
Operating Temp Range:
-50°C to +85°C
Current Rating:
1.8 A per power (VBUS) contact and ground contact, 0.25A per other contact
Voltage Rating:
100 VAC
Contact Resistance:
30 mΩ max power and ground, 50 mΩ max for other contact
Minimum Cycles:
5000
RoHS Compliant:
Yes



Due to technical progress, all designs, specifications and components are subject to change without notice.