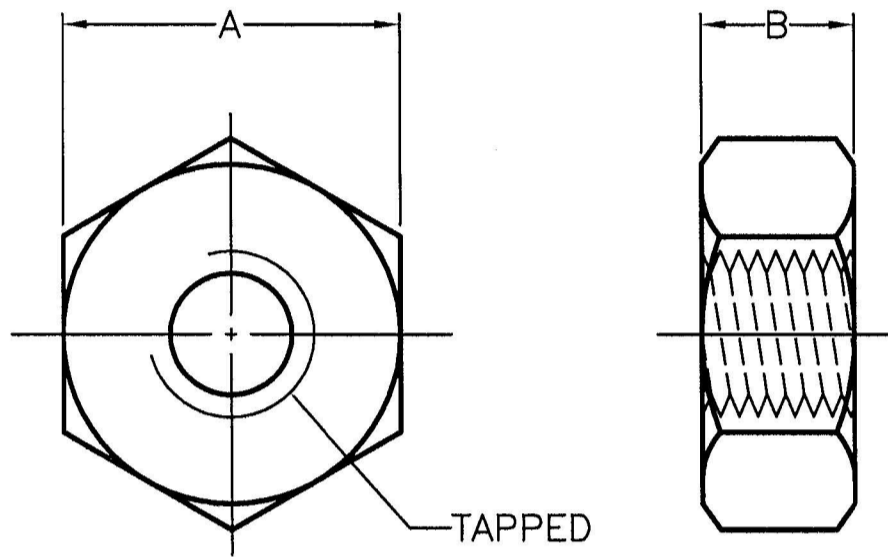


成型尺寸	公差
5mm以下	±0.2
5~20mm	±0.3
20~40mm	±0.4
40~60mm	±0.5
60~100mm	±0.8
100mm以上	±1.0



REVISIONS			
REV	DESCRIPTION	DATE	BY



PART NO.	A	B	TAPPED
M-2.6 N	5.0	2.0	M2.6X0.45

NOTE:MADE OF EQUIVALENT MATERIAL.

				TITLE	NUT	SPEC. DWG.
				MATERIAL	NYLON 66 UL94V-2	DATE
PART NUMBER				FINISH	DRAWN	JASON
DRAWING NUMBER				COLOR	CHECK	<i>Will</i>
SIZE	SCALE	UNIT	REV	UNLESS OTHERWISE SPECIFIED TOLERANCE	APPROVED	<i>Kang</i>
A4	NONE	mm	A	SEE ABOVE		