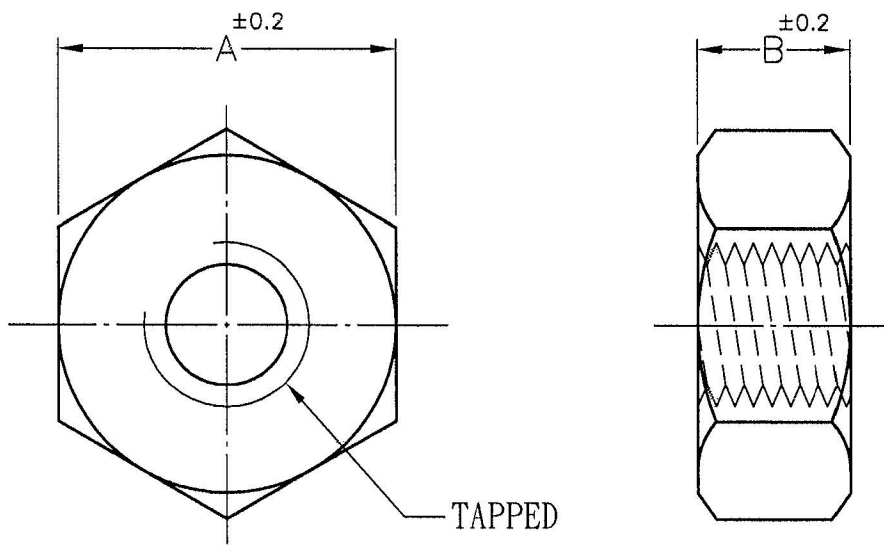




REVISIONS			
REV	DESCRIPTION	DATE	BY



PART NO.	A	B	TAPPED
M-2.6PC	5.0	2.0	M2.6x0.45P

NOTE:MADE OF EQUIVALENT MATERIAL.

				TITLE	NUT	SPEC. DWG.	
				MATERIAL	PC UL94V-2	DATE	1997.07.03
PART NUMBER M-2.6PC DRAWING NUMBER M-H				FINISH		DRAWN	JASON
				COLOR	NATURAL	CHECK	Will
SIZE	A4	SCALE	NONE	UNIT	mm	REV	A
UNLESS OTHERWISE SPECIFIED TOLERANCE				SEE ABOVE	APPROVED	<i>Kang</i>	