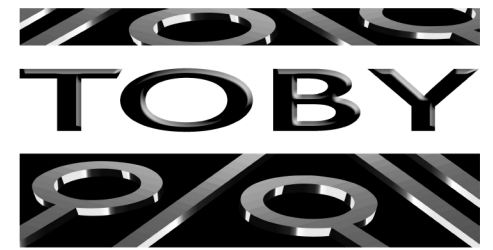


## Power supply connectors



Power supply chassis socket, straight version, for front  
side mounting

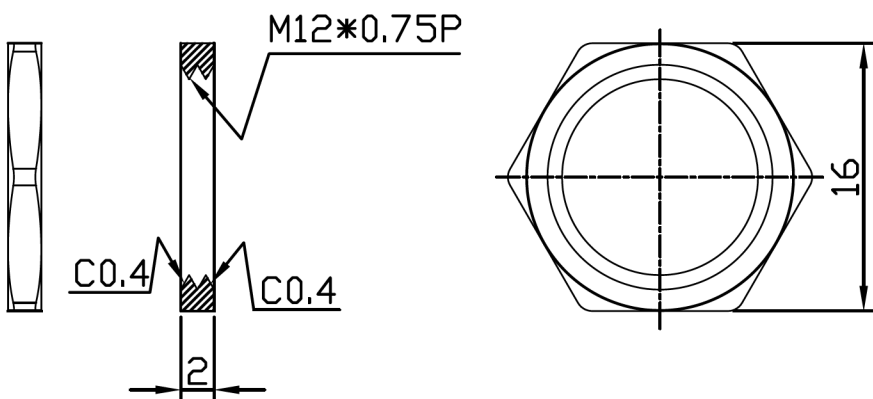
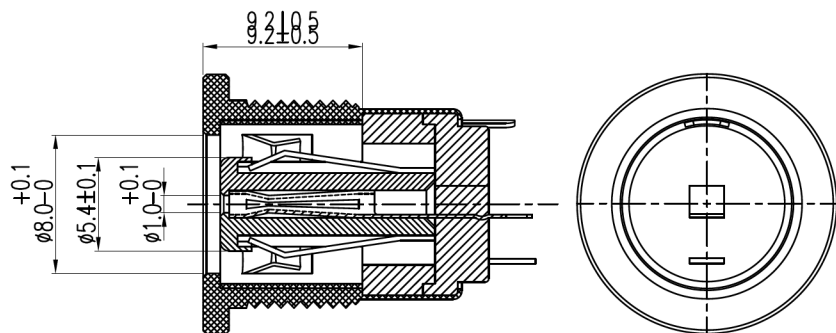
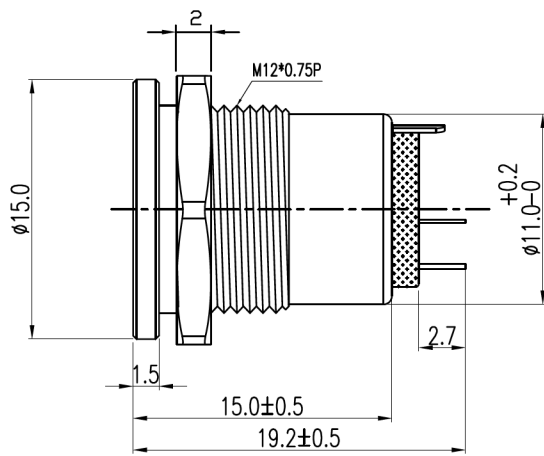
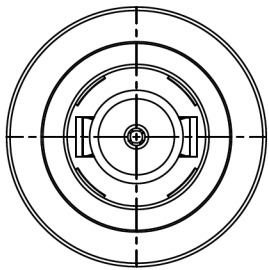
3 pole



www.toby.co.uk

16

1614 21



**Environmental conditions**

Temperature range -40 °C/+85 °C

**Materials**

Insulating body PBT GF, V-0 according to UL94  
 Contact CuSn, nickel-plated  
 Housing CuZn, nickel-plated  
 Hexagonal nut CuZn, nickel-plated

**Mechanical data**

Diameter opening 8.0 mm  
 Diameter insulation 5.4 mm  
 Diameter central hole 1.0 mm  
 Mating cycles 5000  
 Insertion force 2.9–29.4 N  
 Withdrawal force 2.9–29.4 N

**Electrical data (at T<sub>amb</sub> 20 °C)**

Contact resistance ≤ 30 mΩ  
 Rated current 10 A  
 Rated voltage 42 V DC  
 Rated impulse voltage 500 V/60 s  
 Insulation resistance ≥ 100 MΩ

**Associated products**

Counterparts  
 ↗ 1636 07

16

1614 21



[www.toby.co.uk](http://www.toby.co.uk)

| Designation | Pole Number | PU (Pieces) | MDQ (Pieces) |
|-------------|-------------|-------------|--------------|
| 1614 21     | 3           | 200         | 200          |

**Packaging:**

in bulk, in a cardboard box or a plastic bag