

REV.	DESCRIPTION	DRAWN	CHECKED	APPROVED
A	NEW RELEASE	LJH 09/15/05'		LJC 09/15/05'
M	DRAWING UPDATE	JLZ 12/17/18'		

Dept	Qty
DC	1
ED	1
IE	1
ISO	1
PD	1
R&D	1
SD	1
QA	1
QC	1
QE	1

NOTES:

SPECIFICATIONS:

- CONTACT RESISTANCE: 20mΩ MAX.
- INSULATION RESISTANCE: 1000MΩ MIN.
- DIELECTRIC WITHSTANDING VOLTAGE: 600V AC(RMS) FOR 1 MINUTE.
- CURRENT RATING:3A.
- VOLTAGE RATING:250V AC RMS.
- TEMPERATURE: -40°C~+105°C.

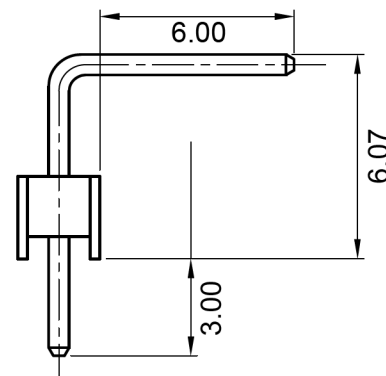
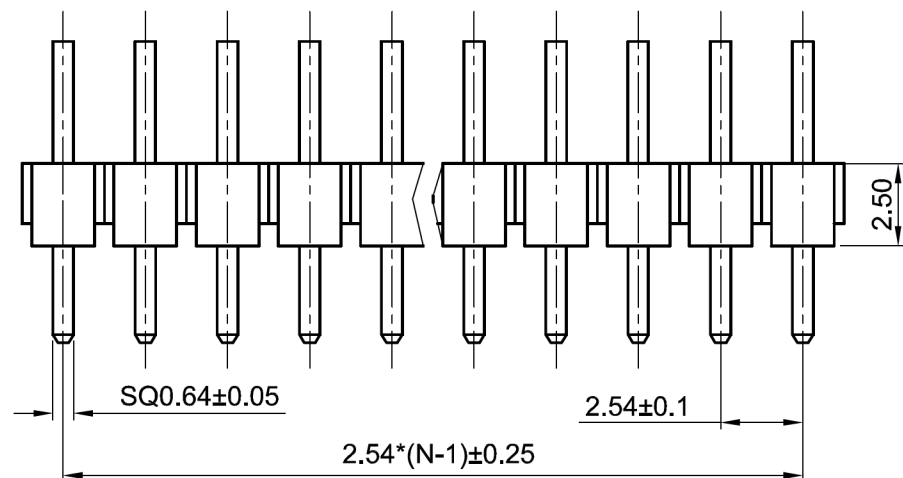
MATERIALS:

- CONTACT MATERIAL: COPPER ALLOY.
- CONTACT PLATING: GOLD PLATING OVER NICKEL.
- INSULATOR MATERIALS: PBT,BLACK,UL94-V0.

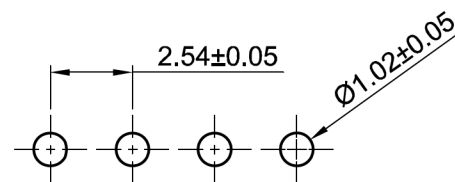
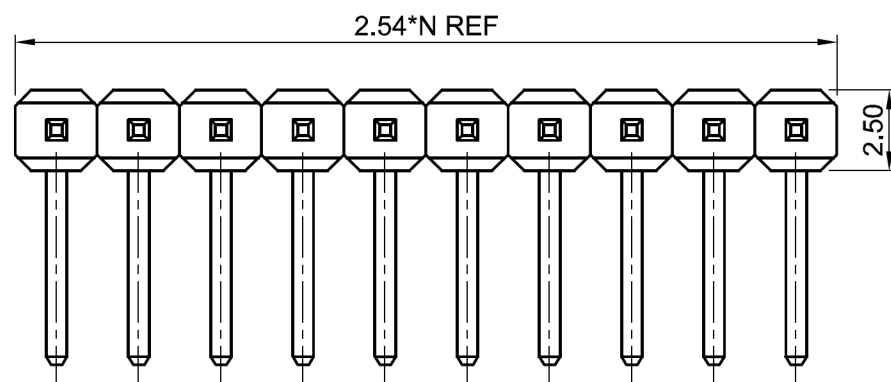
ORDERING INFORMATION:

THS-xx-R-RA6

xx = Number of Positions 01-40



N: NUMBER OF CONTACTS



RECOMMEND P.C.BOARD LAYOUT



GENERAL TOLERANCE		ANGLE TOLERANCE		PROJECTION		TITLE	2.54mm PIN HEADER R/A TYPE SINGLE ROW 15.50MM PIN LENGTH	
X.	±0.60	X.	±5°	UNITS	mm			
.X	±0.38	.X	±3°	SHEET SIZE	A4	SERIES	THSRA6 SERIES	
.XX	±0.25	.XX	±2°			Toby Electronics Ltd W: www.toby.co.uk E: sales@toby.co.uk T: +44 (0)1295271777		
DRAWING TYPE		CUSTOMER						
SCALE		1:1	SHEET	1 OF 1		THE VITAL COMPONENT		
DRAWING NO.		THS-xx-R-RA6 U Type						