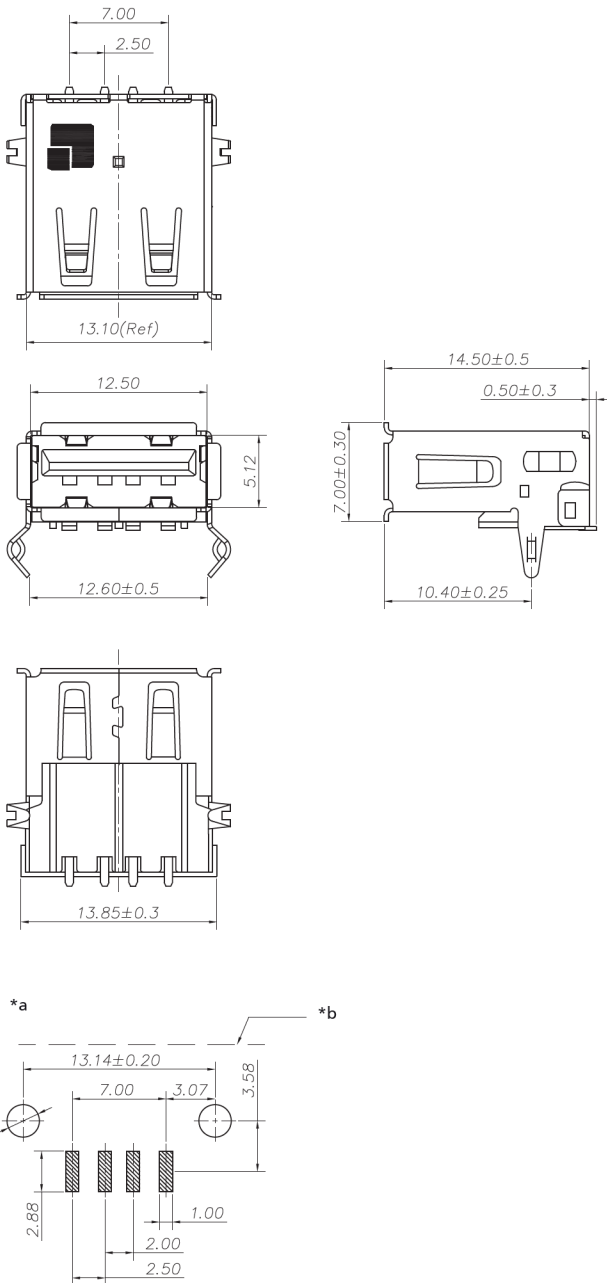


2410 14



- \*a printed circuit board layout, components side view
- \*b printed circuit board edge

#### Environmental conditions

Temperature range -40 °C/+85 °C

#### Materials

Insulating body LCP GF, V-0 according to UL94  
 Contact spring CuZn, pre-nickel and gold-plated  
 Housing steel, pre-copper and nickel-plated

#### Mechanical data

Mating cycles 1500  
 Insertion force ≤ 35 N  
 Withdrawal force ≥ 10 N

#### Electrical data (at T<sub>amb</sub> 20 °C)

Contact resistance ≤ 30 mΩ  
 Rated current 1 A  
 Rated voltage 30 V AC  
 Insulation resistance ≥ 1 GΩ

#### Associated products

Counterparts  
 ☞ 2410 07      ☞ 2410 08      ☞ 2431  
 ☞ 2480      ☞ 2482

#### Accessories

☞ 2412 01