
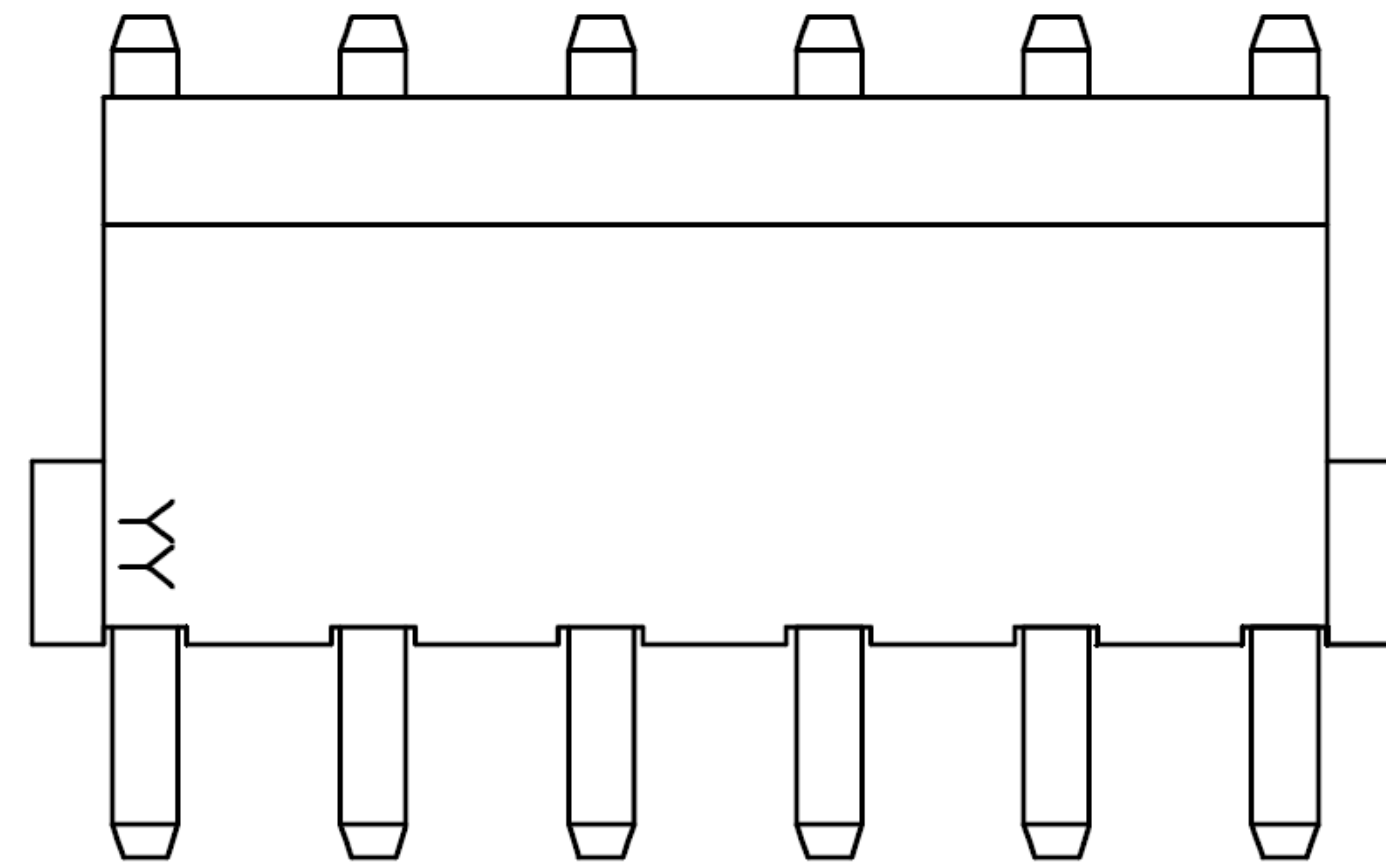
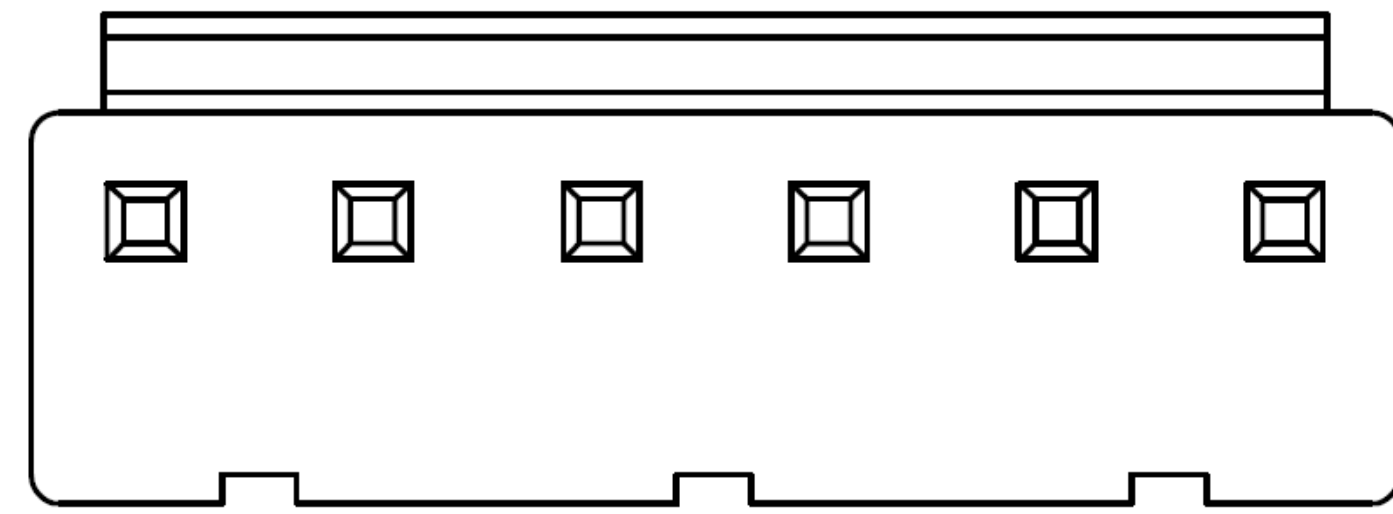


C  US E182481

REV	DESCRIPTION	DATE
A1	ECN-201210240002	2012.12.05



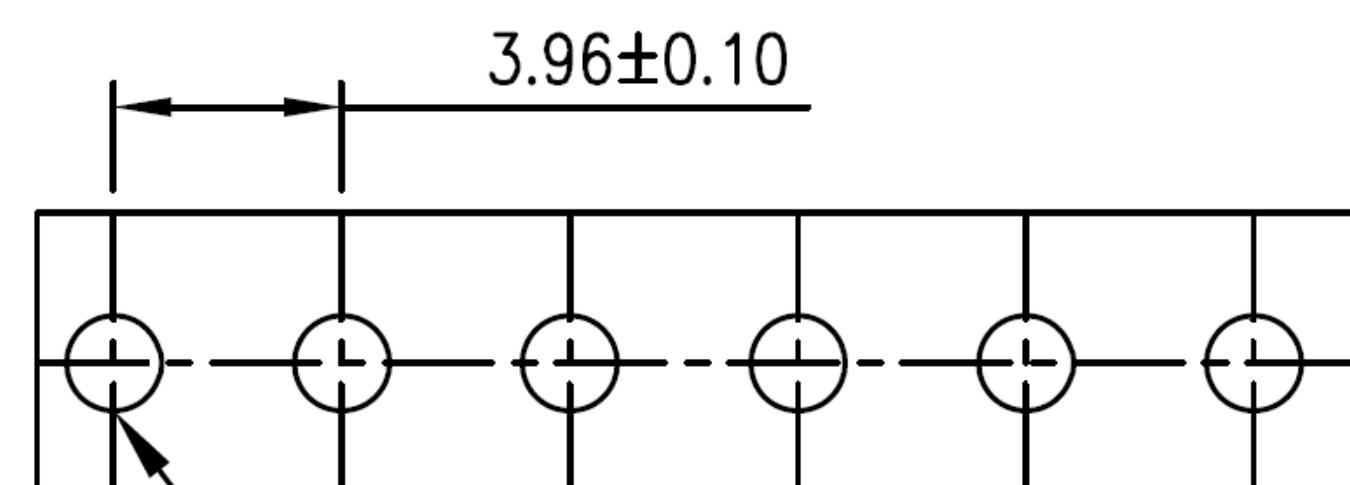
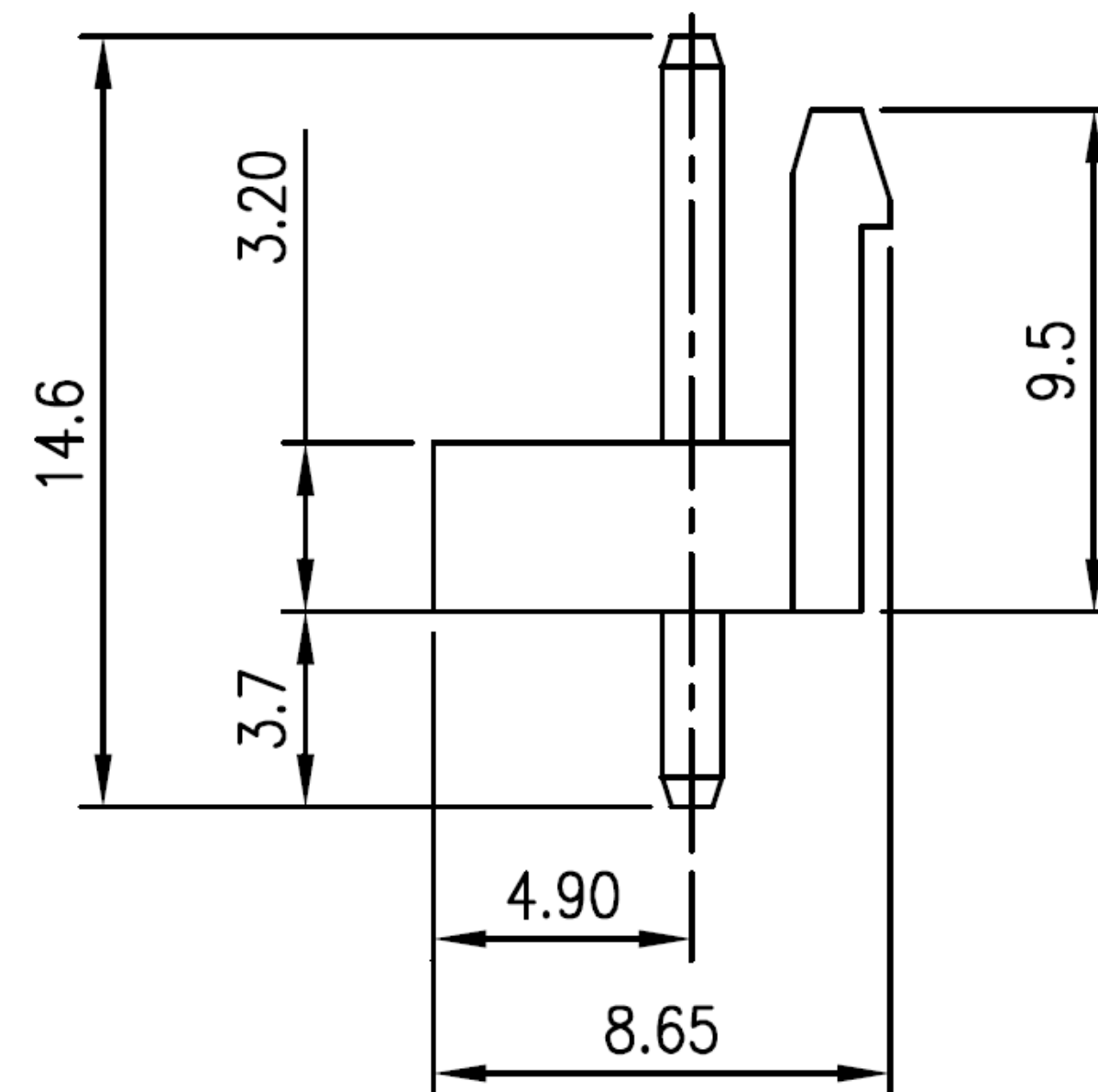
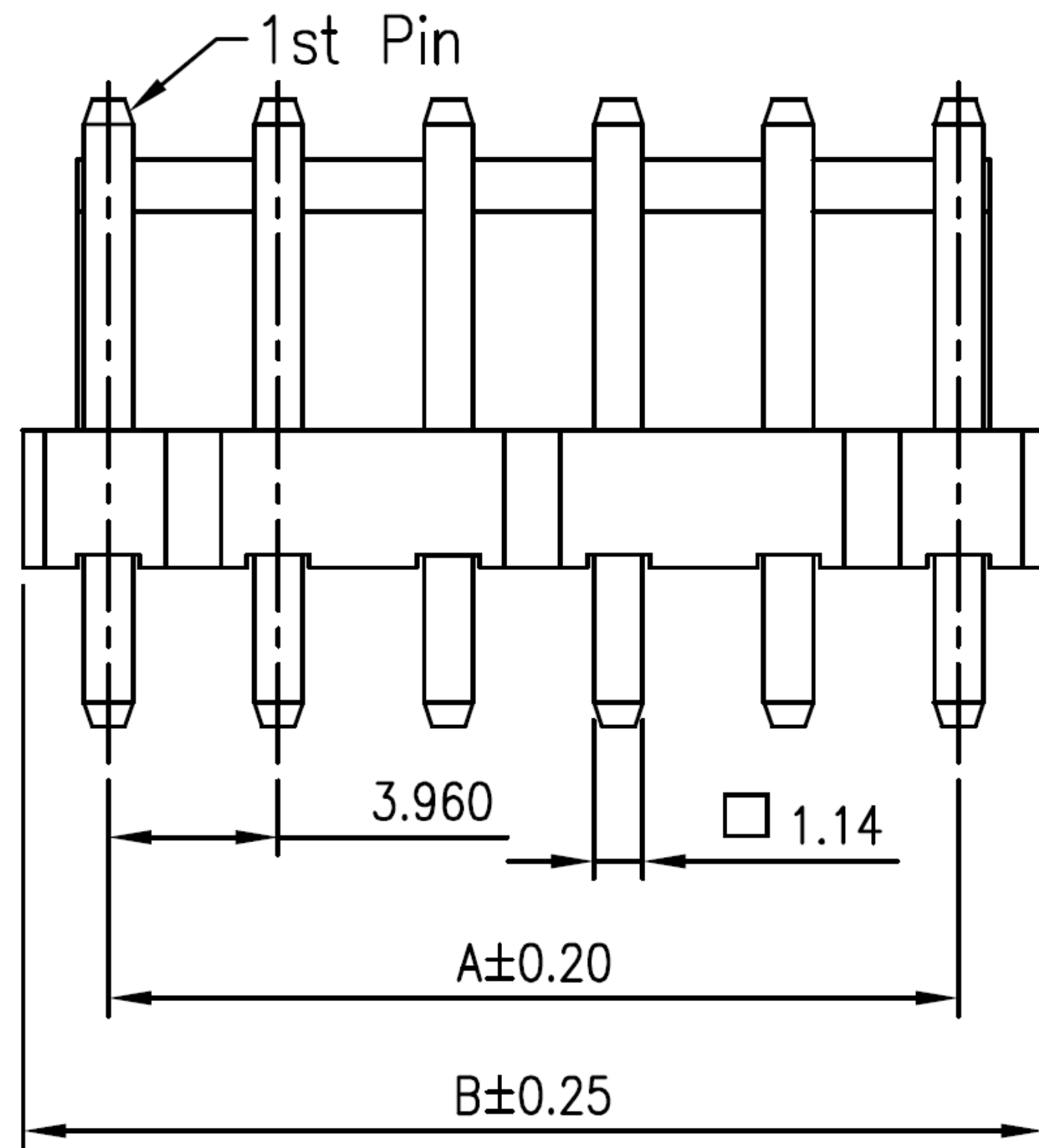
**NOTES**

Available in 02 through 15 Circuits  
 Housing Material: Nylon 66 UL94-V0  
 Mates with YY-2800-H Series Housing  
 1.14mm(.045") Square Pin  
 Pin Material: Brass/Tin-Plated or Gold-Plated

**ORDERING INFORMATION**

VH396-xx-S-010

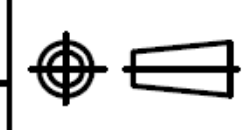
xx = No. of positions 02 ~ 12



P.C.B Hole dia  $\phi 1.65\text{mm} \pm 0.10$   
 P.C.B Thickness 0.80~1.60mm

PCB LAYOUT

Circuits	Dimension mm		Circuits	Dimension mm	
	A	B		A	B
2	3.96	7.92	9	31.68	35.64
3	7.92	11.88	10	35.64	39.60
4	11.88	15.84	11	39.60	43.56
5	15.84	19.80	12	43.56	47.52
6	19.80	23.76	13	47.52	51.48
7	23.76	27.72	14	51.45	55.44
8	27.72	31.68	15	55.44	59.40

TOLERANCE		www.toby.co.uk   sales@toby.co.uk			
X.	--	TITLE 3.96mm(.156") Pitch Wire to Board Header			
X.X	$\pm 0.25$				
X.XX	$\pm 0.15$				
X.XXX	$\pm 0.08$				
ANGULAR	--	APPROVALS			
DRAWN	Frank 05-December-2012	VIEW	SCALE	PART NO.	REV.
CHECKED	Denise 05-December-2012		3:1	VH396-xx-S-010	A1
APPROVED	Jessica 05-December-2012	UNIT	SIZE	DWG NO.	SHEET
		MM	A4	Vertical VH396	1 OF 1