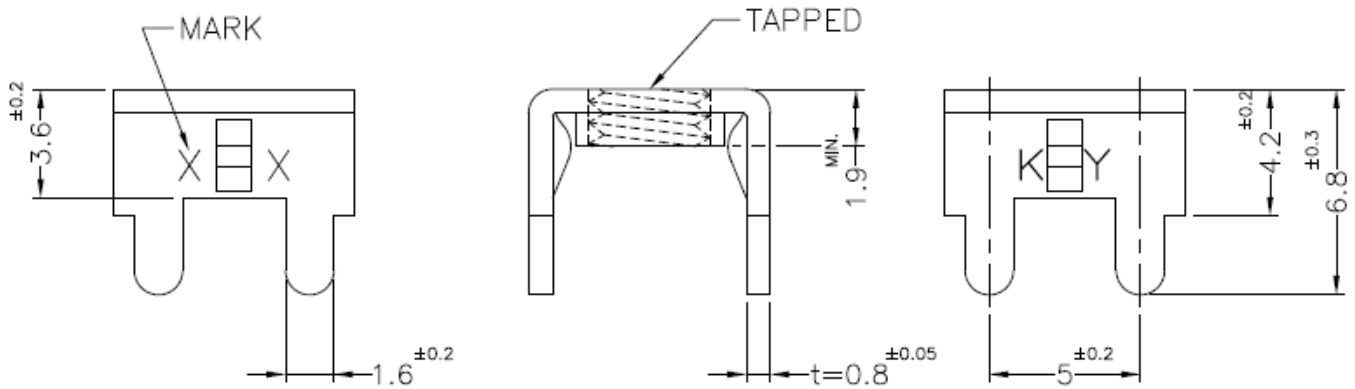


MOUNTING HOLE




PART NO.	TAPPED	MARK
PCB-9-1	M3X0.5P	M3
PCB-9-1(M4)	M4X0.7P	M4
PCB-9-1(632)	#6-32	632

NOTE:

1. FINISH: TIN PLATED. IF PARTS ARE NOT USED UP PLEASE STORE IN A SEAL BAG.
2. RATED CURRENT: 15A.

Toby Electronics E: sales@toby.co.uk
Beaumont Road W: www.toby.co.uk
Banbury, Oxon T: +44(0)1295 271777
OX16 1TU

	DATE	2001.03.23	TITLE	P.C.B TERMINAL	DWG. NO.	PCB-9-1-XX	PART NO.	SEE TABLE ABOVE	
	DRAWN	JASON	MATERIAL	BRASS	SIZE	A4	SPEC. DWG.	REV	A
	CHECKED		COLOR		FINISH	TIN PLATED			
	APPROVED		UNLESS OTHERWISE SPECIFIED TOLERANCE: SEE ABOVE		SCALE: 4:1	UNIT	mm	SHEET 1 OF 1	