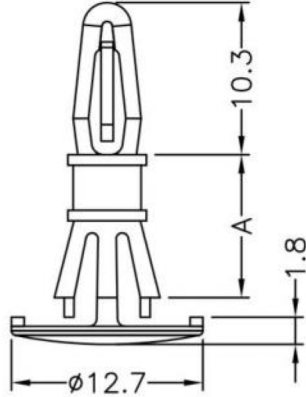
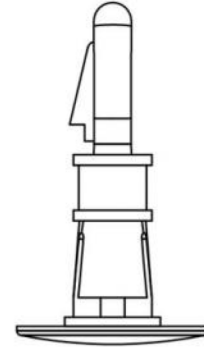


MOUNTING HOLE $\phi 4.0$
THICKNESS 1.6



MOUNTING HOLE $\phi 5.4$
THICKNESS 1.5~1.6



A
6.4

All measurement does not include gate which raises under 0.3mm.



PART NUMBER		RCWA-6.4		SPEC. DWG.	
TITLE					
SPACER SUPPORT					
MATERIAL			COLOR		
NYLON 66(UL) 94V-0			NATURAL		
SIZE	SCALE	UNIT	CHECK		
A4	2:1	mm	Z.C		