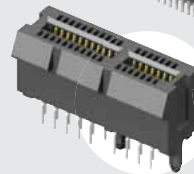


PCIE-064-02-F-D-RA



PCIE-036-02-F-D-TH

(1.00 mm) .0394"

# PCI EXPRESS® CARD SOCKETS

## SPECIFICATIONS

For complete specifications and recommended PCB layouts see [www.samtec.com?PCIE](http://www.samtec.com?PCIE)

### Insulator Material:

-TH=Black Nylon  
-EMS2 & -RA=LCP

### Contact:

Phosphor Bronze  
Plating: Au or Sn over 50 μ" (1.27 μm) Ni

### Current Rating:

2.2 A per pin  
(2 adjacent pins powered)

### Operating Temp:

-55 °C to +125 °C

### Card Insertion Depth:

(7.65 mm) .301" nominal

### RoHS Compliant:

Yes

### Lead-Free Solderable:

-RA & EMS2=Yes

-TH=Wave only

## RECOGNITIONS

For complete scope of recognitions see [www.samtec.com/quality](http://www.samtec.com/quality)



**Card Mates:**  
(1.60 mm) .062" card

**Cable Mates:**  
PCIEC



Polarized  
Supports one, four, eight and sixteen PCI Express® links

Accepts 1.60 mm (.062") card

Choice of card-edge mount or PCB mount

Alignment pins

PCIE	Rated @ 3dB Insertion Loss*
11.1 mm Stack Height	7.0 GHz / 14 Gbps
Differential Pair Signaling	

\*Performance data includes effects of a non-optimized PCB. Data based on simulations using Final InCh® design.  
Complete test data available at [www.samtec.com?PCIE](http://www.samtec.com?PCIE) or contact [sig@samtec.com](mailto:sig@samtec.com)

Four rows on 2 mm pitch

**ALSO AVAILABLE**  
(MOQ Required)

• Other platings  
Contact Samtec.

PCIE

NO. OF POSITIONS

02

PLATING OPTION

D

TAIL OPTION

-036, -064, -098, -164

-F

= Gold flash on contact,  
Tin on tail

-EMS2

= Edge Mount

-TH

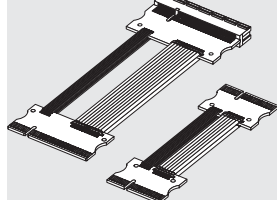
= Through-hole

-RA

= Right Angle

## OTHER SOLUTIONS

PCI Express® Jumpers & Extenders call for PCIEC Series



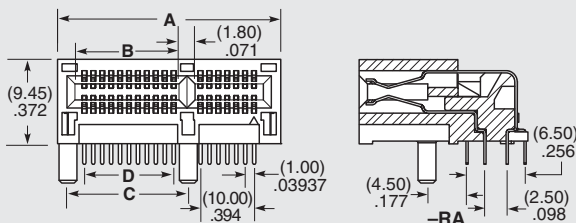
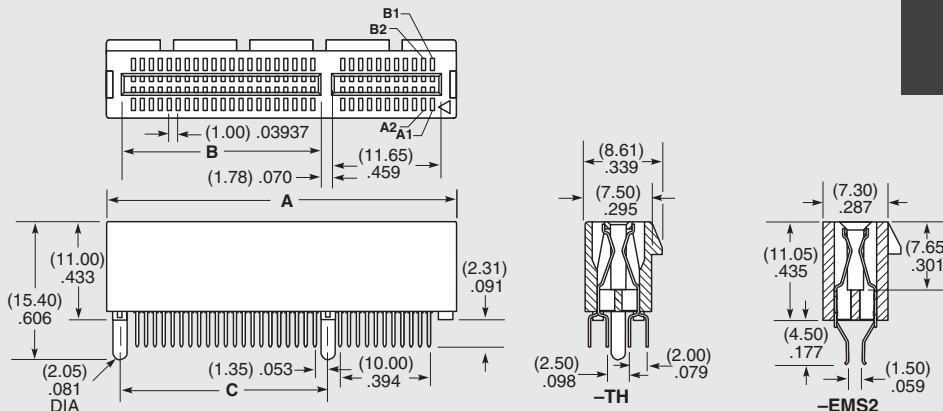
- Loop back Extender (From one PCIe® slot to another PCIe® slot)
- Ser-Des Physical Extender (From one PCIe® slot to another PCIe® Ser-Des)
- Physical Extender for easy troubleshooting of PCIe® card debug and analysis (PCIe® slot to Emulator or Analyzer)

Contact Samtec.

PCI Express® is a registered trademark of PCI-SIG®.

**Note:** While optimized for 50Ω applications, this connector with alternative signal/ground patterns may also perform well in certain 75Ω applications. Contact Samtec for further information.

**Note:** Some lengths, styles and options are non-standard, non-returnable.



POSITIONS	A	B	C	D
-036 (X1)	(25.00) .984	(7.65) .301	(9.15) .360	(6.00) .236
-064 (X4)	(39.00) 1.535	(21.65) .852	(23.15) .911	(20.00) .787
-098 (X8)	(56.00) 2.205	(38.65) 1.522	(40.15) 1.581	(37.00) 1.457
-164 (X16)	(89.00) 3.504	(71.65) 2.821	(73.15) 2.880	(70.00) 2.756