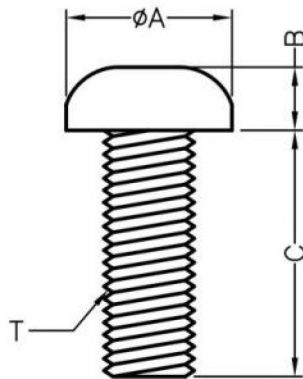


T	THREAD	A	B	C	T
		3.3	1.4	3.0	M2X0.4P

MATERIAL		COLOR
2	PC(UL) 94V-0	NATURAL

PART NUMBER		M2-3	SPEC. DWG.	
TITLE				
SCREW				
MATERIAL			COLOR	
SEE ABOVE			SEE ABOVE	
SIZE	SCALE	UNIT	CHECK	
A4	2:1	mm	Z.C	



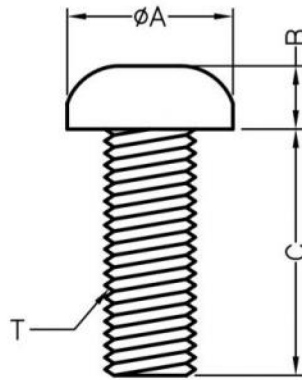
A	B	C	T
3.3	1.4	4.0	M2X0.4P

T	THREAD
---	--------

MATERIAL		COLOR
2	PC(UL) 94V-2	NATURAL



PART NUMBER		M2-4	SPEC. DWG.	
TITLE		SCREW		
MATERIAL		SEE ABOVE	COLOR	
			SEE ABOVE	
SIZE	A4	SCALE	2:1	UNIT
			mm	CHECK
				Z.C



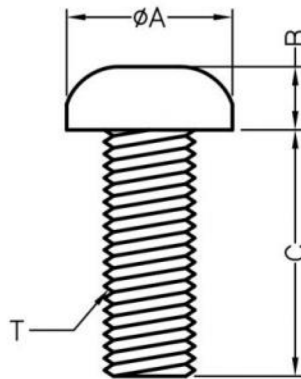
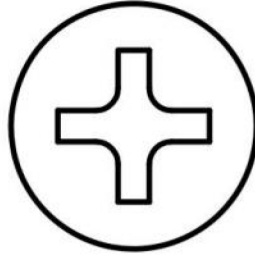
A	B	C	T
3.3	1.4	5.0	M2X0.4P

T	THREAD
---	--------

MATERIAL		COLOR
2	PC(UL) 94V-2	NATURAL



PART NUMBER		M2-5	SPEC. DWG.	
TITLE				
SCREW				
MATERIAL			COLOR	
SEE ABOVE			SEE ABOVE	
SIZE	SCALE	UNIT	CHECK	
A4	2:1	mm	Z.C	



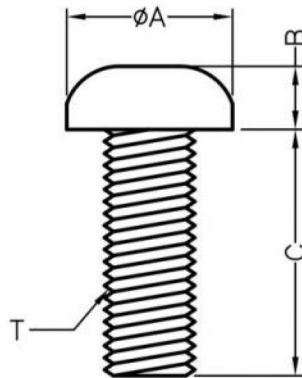
A	B	C	T
3.3	1.4	6.5	M2X0.4P

T	THREAD
---	--------

MATERIAL		COLOR
2	PC(UL) 94V-2	NATURAL



PART NUMBER		M2-6.5	SPEC. DWG.	
TITLE				
SCREW				
MATERIAL			COLOR	
SEE ABOVE			SEE ABOVE	
SIZE	SCALE	UNIT	CHECK	
A4	2:1	mm	Z.C	



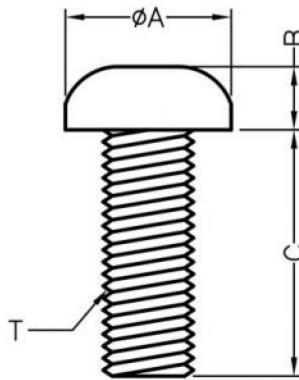
A	B	C	T
3.3	1.4	6.0	M2X0.4P

T	THREAD
---	--------

MATERIAL		COLOR
2	PC(UL) 94V-2	NATURAL



PART NUMBER		M2-6	SPEC. DWG.	
TITLE				
SCREW				
MATERIAL			COLOR	
SEE ABOVE			SEE ABOVE	
SIZE	SCALE	UNIT	CHECK	
A4	2:1	mm	Z.C	

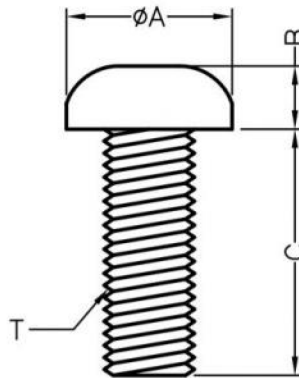
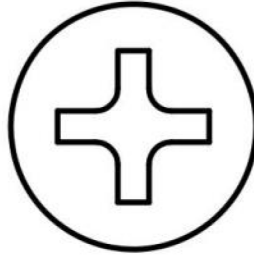


A	B	C	T
3.3	1.4	8.0	M2X0.4P

T	THREAD
---	--------

MATERIAL		COLOR
2	PC(UL) 94V-2	NATURAL

PART NUMBER		M2-8	SPEC. DWG.	
TITLE				
SCREW				
MATERIAL			COLOR	
SEE ABOVE			SEE ABOVE	
SIZE	SCALE	UNIT	CHECK	
A4	2:1	mm	Z.C	



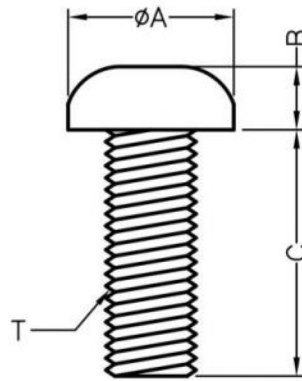
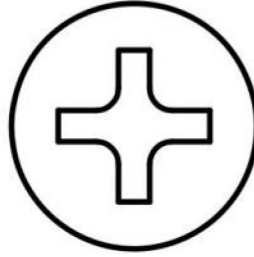
A	B	C	T
3.3	1.4	10.0	M2X0.4P

T	THREAD
---	--------

MATERIAL		COLOR
2	PC(UL) 94V-2	NATURAL



PART NUMBER		M2-10	SPEC. DWG.	
TITLE				
SCREW				
MATERIAL			COLOR	
SEE ABOVE			SEE ABOVE	
SIZE	SCALE	UNIT	CHECK	
A4	2:1	mm	Z.C	

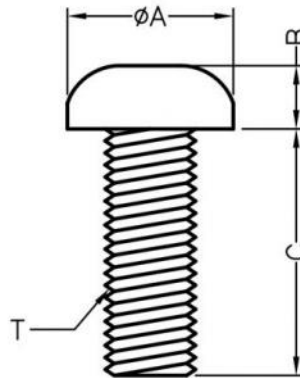
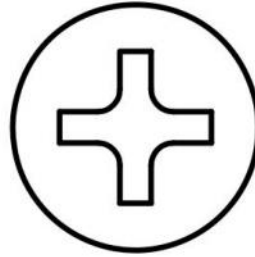


A	B	C	T
3.3	1.4	12.0	M2X0.4P

T	THREAD
---	--------

MATERIAL		COLOR
2	PC(UL) 94V-2	NATURAL

PART NUMBER		M2-12	SPEC. DWG.	
TITLE				
SCREW				
MATERIAL			COLOR	
SEE ABOVE			SEE ABOVE	
SIZE	SCALE	UNIT	CHECK	
A4	2:1	mm	Z.C	

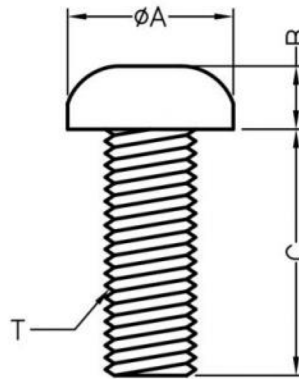
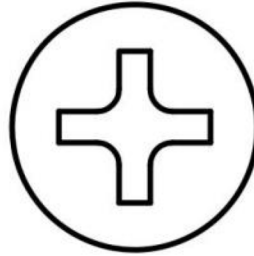


A	B	C	T
3.3	1.4	15.0	M2X0.4P

T	THREAD
---	--------

MATERIAL		COLOR
2	PC(UL) 94V-2	NATURAL

PART NUMBER		M2-15	SPEC. DWG.		
TITLE		SCREW			
MATERIAL		SEE ABOVE	COLOR	SEE ABOVE	
SIZE	A4	SCALE	2:1	UNIT	mm
CHECK		Z.C			



A	B	C	T
4.3	1.5	4.0	M2.5X0.45P

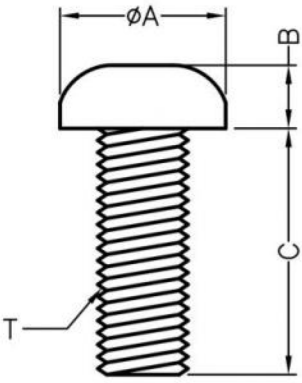
T	THREAD
---	--------

MATERIAL		COLOR
2	PC(UL) 94V-2	NATURAL



PART NUMBER		M2.5-4	SPEC. DWG.	
TITLE		SCREW		
MATERIAL		SEE ABOVE	COLOR SEE ABOVE	
SIZE	SCALE	UNIT	CHECK	
A4	2:1	mm	Z.C	

⚠ This dwg is for reference only, Actual dwg should be based on formal engineering dwg issued

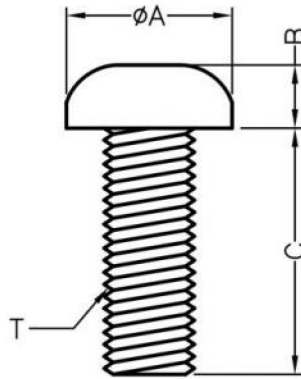
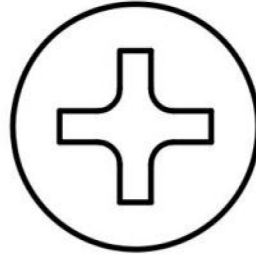


T	THREAD	A	B	C	T
		4.3	1.5	5.0	M2.5X0.45P

	MATERIAL	COLOR
2	PC(UL) 94V-2	NATURAL



PART NUMBER		M2.5-5	SPEC. DWG.	
TITLE				
SCREW				
MATERIAL			COLOR	
SEE ABOVE			SEE ABOVE	
SIZE	SCALE	UNIT	CHECK	
A4	2:1	mm	Z.C	

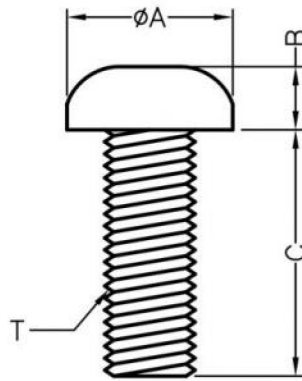
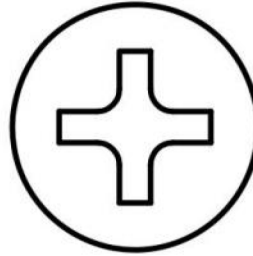


T	THREAD	A	B	C	T
		4.3	1.5	6.0	M2.5X0.45P

MATERIAL		COLOR
1	NYLON 66(UL) 94V-0	NATURAL



PART NUMBER		M2.5-6	SPEC. DWG.	
TITLE				
SCREW				
MATERIAL			COLOR	
SEE ABOVE			SEE ABOVE	
SIZE	SCALE	UNIT	CHECK	
A4	2:1	mm	Z.C	



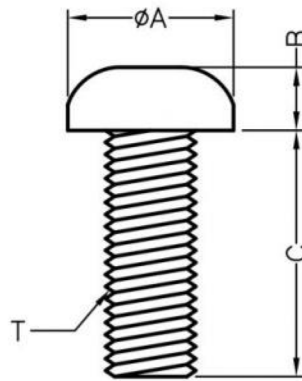
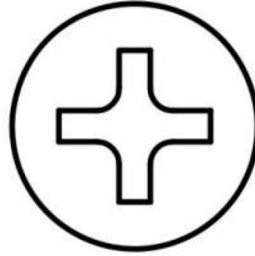
T	THREAD
---	--------

A	B	C	T
4.3	1.5	8.0	M2.5X0.45P

MATERIAL		COLOR
2	PC(UL) 94V-2	NATURAL



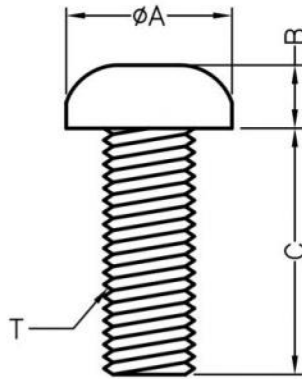
PART NUMBER		M2.5-8	SPEC. DWG.	
TITLE				
SCREW				
MATERIAL			COLOR	
SEE ABOVE			SEE ABOVE	
SIZE	SCALE	UNIT	CHECK	
A4	2:1	mm	Z.C	



A	B	C	T
4.3	1.5	10.0	M2.5X0.45P

T	THREAD	MATERIAL	COLOR
		PC(UL) 94V-2	NATURAL

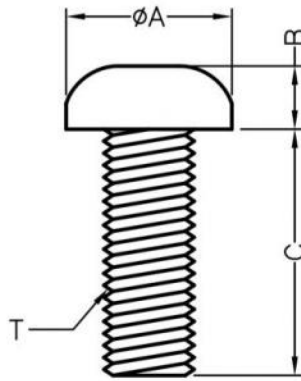
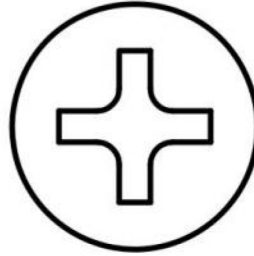
PART NUMBER		M2.5-10	SPEC. DWG.	
TITLE				
SCREW				
MATERIAL			COLOR	
SEE ABOVE			SEE ABOVE	
SIZE	SCALE	UNIT	CHECK	
A4	2:1	mm	Z.C	



T	THREAD	A	B	C	T
		6.3	1.5	13.0	M2.5X0.45P



PART NUMBER		M2.5L-13	SPEC. DWG.	
TITLE		SCREW		
MATERIAL		NYLON 66(UL) 94V-0	COLOR	
			NATURAL	
SIZE	A4	SCALE	2:1	UNIT
			mm	CHECK
				Z.C



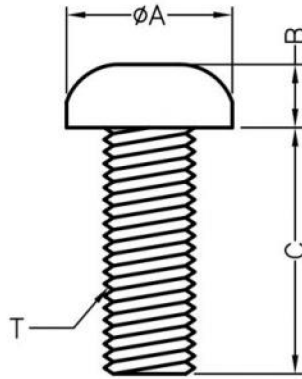
T	THREAD
---	--------

A	B	C	T
4.3	1.5	4.0	M2.6X0.45P

MATERIAL		COLOR
1		
2	PC(UL) 94V-2	NATURAL

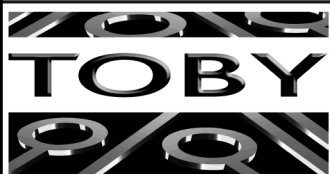


PART NUMBER		M2.6-4	SPEC. DWG.	
TITLE				
SCREW				
MATERIAL			COLOR	
SEE ABOVE			SEE ABOVE	
SIZE	SCALE	UNIT	CHECK	
A4	2:1	mm	Z.C	

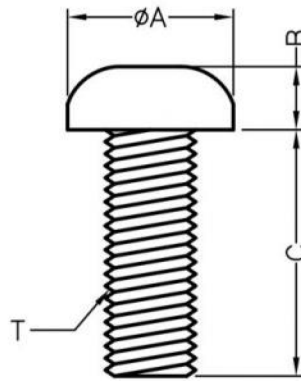
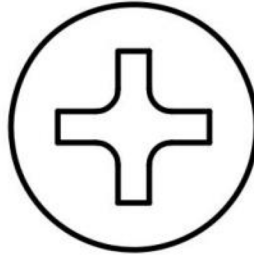


A	B	C	T
3.3	1.4	6.5	M2X0.4P

T	THREAD	MATERIAL	COLOR
2	PC(UL) 94V-2		NATURAL



PART NUMBER		M2-6.5	SPEC. DWG.	
TITLE				
SCREW				
MATERIAL			COLOR	
SEE ABOVE			SEE ABOVE	
SIZE	SCALE	UNIT	CHECK	
A4	2:1	mm	Z.C	

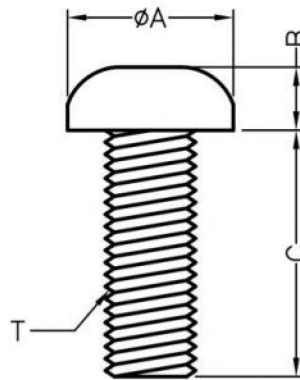
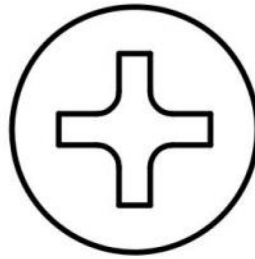


	A	B	C	T
	4.3	1.5	6.0	M2.6X0.45P

T	THREAD
---	--------

MATERIAL		COLOR
2	PC(UL) 94V-2	NATURAL

PART NUMBER		M2.6-6	SPEC. DWG.	
TITLE				
SCREW				
MATERIAL			COLOR	
SEE ABOVE			SEE ABOVE	
SIZE	SCALE	UNIT	CHECK	
A4	2:1	mm	Z.C	



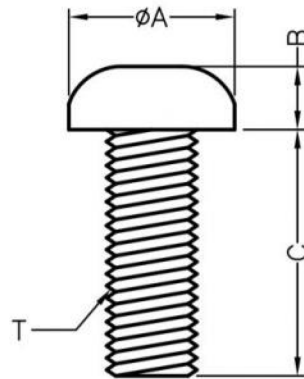
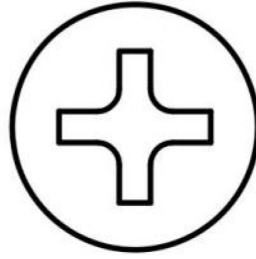
A	B	C	T
4.3	1.5	8.0	M2.6X0.45P

T	THREAD
---	--------

	MATERIAL	COLOR
1		
2	PC(UL) 94V-2	NATURAL

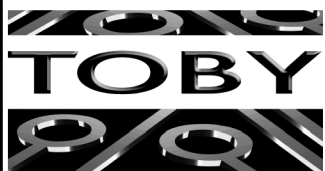


PART NUMBER		M2.6-8	SPEC. DWG.	
TITLE				
SCREW				
MATERIAL			COLOR	
SEE ABOVE			SEE ABOVE	
SIZE	SCALE	UNIT	CHECK	
A4	2:1	mm	Z.C	



T	THREAD	A	B	C	T
		4.3	1.5	10.0	M2.6X0.45P

MATERIAL		COLOR
2	PC(UL) 94V-2	NATURAL



PART NUMBER		M2.6-10	SPEC. DWG.	
TITLE		SCREW		
MATERIAL		SEE ABOVE	COLOR	
			SEE ABOVE	
SIZE	SCALE	UNIT	CHECK	
A4	2:1	mm	Z.C	