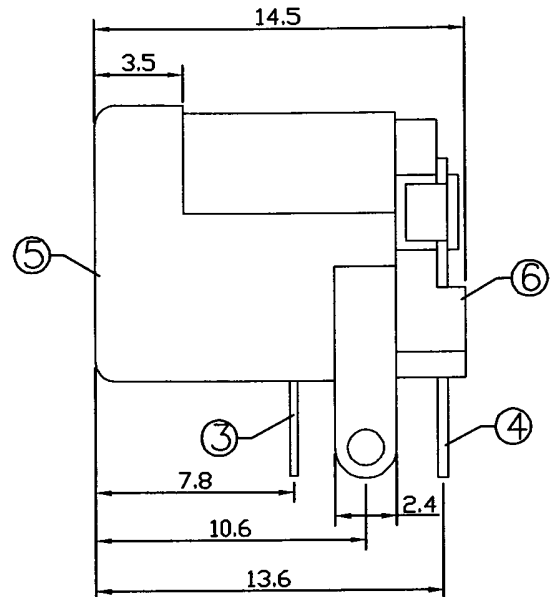
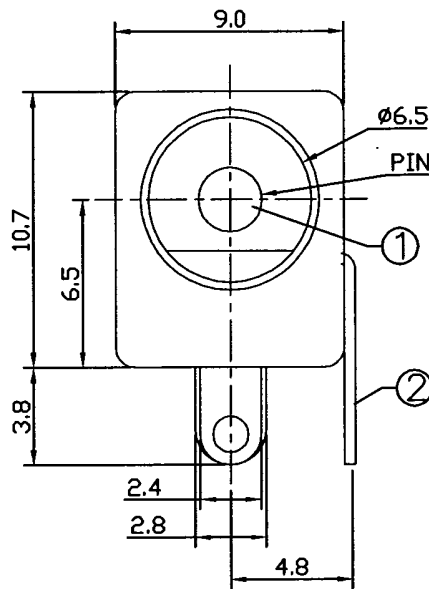
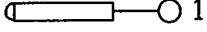


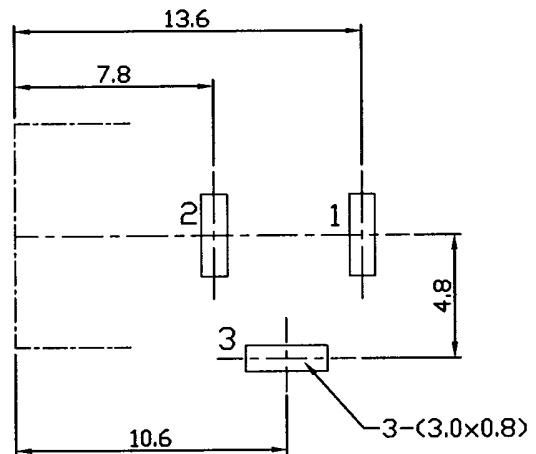


DC Power Jacks - DC-001-x-xxxMM-R Series

RA PCB mount type - RoHS Compliant (Suffix -R) 2 pin diameters available (A=2.10mm B=2.50mm)



PIN	SCHEMATIC
Ø2.0	 1
Ø2.5	 3
	 2



T:1.6 Dimensions of PC board holes

Tolerance : ±0.05(Printed-top view)

Ordering Information:

DC-001-A-2.1mm-R

1

Option 1

Schematic Type

A = 2.10mm (DC-001-2.1mm-R)

B = 2.50mm (DC-001-2.5mm-R)

Specification:

Housing (5) & Cover (6)

Rear Contact (4)

Front Spring Contact (3)

Side Contact (2)

Pin Mating Contact (1)

Rating:

DWV:

Insulation Resistance:

Contact Resistance:

Operating Temperature:

Solderability:

Life test:

Insertion/Withdrawal:

Material:PBT 4815 UL94V-0 Black

Material:C2680 (t=0.4mm) Brass Sn plating

Material:C5191 (t=0.3mm) Brass Sn plating

Material:C2680 (t=0.4mm) Brass Sn plating

Material:H59 Copper Alloy Ni plating

DC24V at 3A

500V AC for 1 minute

100MΩ min. @ 500V DC

30mΩ or less

-25°C to +85°C

+230°C for 3 seconds max.

5000 cycles at 10~30 cycles/min.

3.0KGSmax. / 0.3KGS Min (per contact)