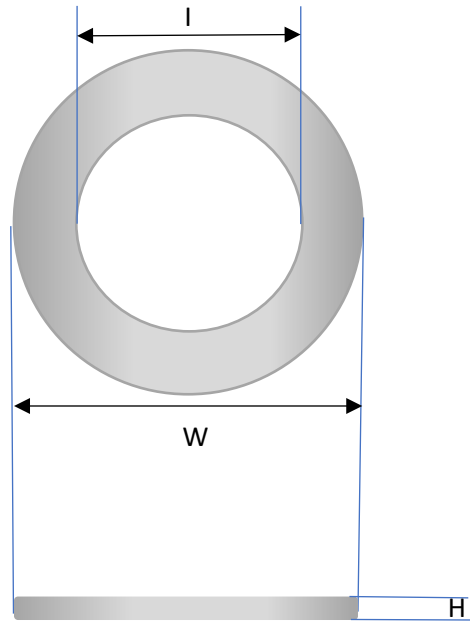


Steel Flat Washers

1879-Mx Series

M2.5, M3 and M4 sizes available



Ordering Information 1879-Mx Series

Part Code: 1879-Mx

x = Thread

2.5 = M2.5

3 = M3

4 = M4

Pack = 1000pcs

MOQ = 1000pcs

Multiple = 1000pcs

Thread Mx	I(mm)	W(mm)	H(mm)
2.5			
3	3.25	6.90	0.60
4	4.35	8.80	0.90

All measurements in mm. Tol: ±0.02



THE VITAL COMPONENT