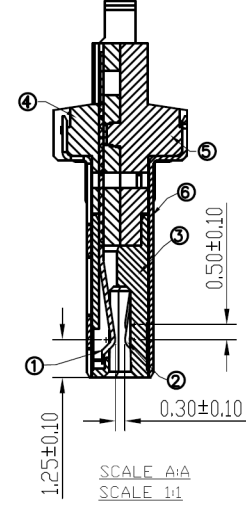
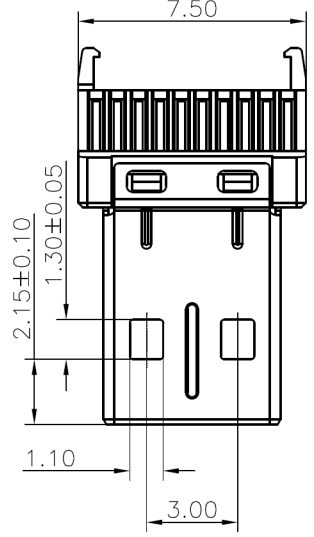
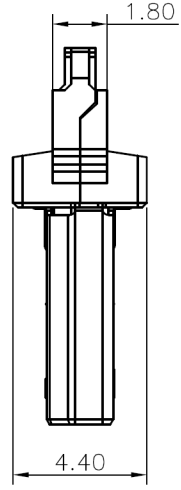
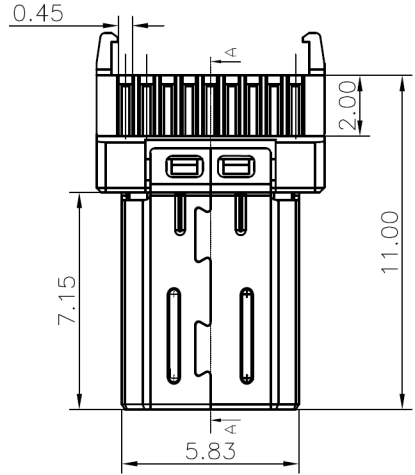
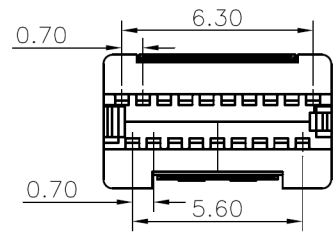


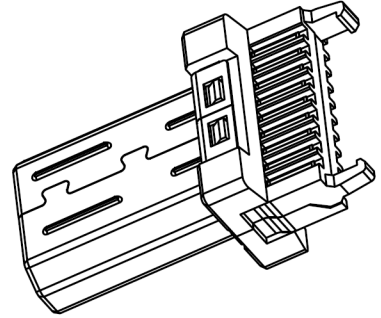
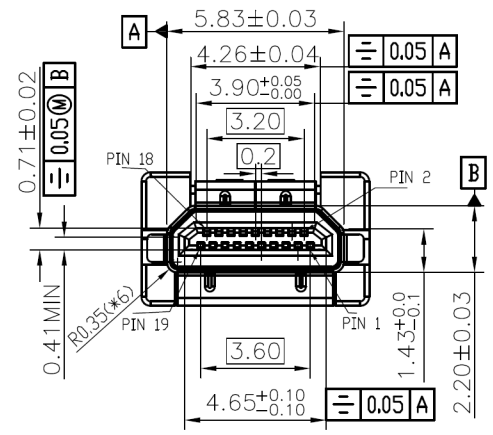
RoHS compliant

REV.	ZONE	LTR	DESCRIPTION	DATE	REVISER	APPD.
0.1	△	/	NEW DESIGN.	10/10'12		



NOTES:
 1. MATERIAL SPECIFICATION:
 1) HOUSING MATERIAL:Black LCP ROHS.
 2) SHELL MATERIAL:ALLOY IRON T:0.20mm PLATING NICKEL.
 3) TERMINAL: COPPER ALLOY T:0.20mm PLATING:CONTACT AREA G/F PLATED OVER Ni, SOLDED AREA TIN PLATED OVER Ni

SPECIFICATIONS
 1. MECHANICAL :
 1.1 INSERTION FORCE :44.1 N MAX
 1.2 WITHDRAWAL FORCE :3 N MIN~25 N MAX
 2. ELECTRICAL :
 2.1 CONTACT CURRENT RATING: 0.3A MIN.
 2.2 VOLTAGE RATING :40V AC (rms)
 2.3 WITHSTANDING VOLTAGE:
 250Volts AC BETWEEN ADIACENT TERMINAL(UNMATE)
 150Volts AC BETWEEN ADIACENT TERMINAL(MATE)
 2.4 INSULATION RESISTANCE:
 100Mohm MIN.(UNMATED);10Mohm MIN.(MATED)
 2.5 CONTACT RESISTANCE: 30 MILLIOHMS MAX.
 3. ENVIRONMENTAL :
 3.1 OPERATING TEMPERATURE:-25°C TO +85°C



This is Not an HDMI.Org Approved Part



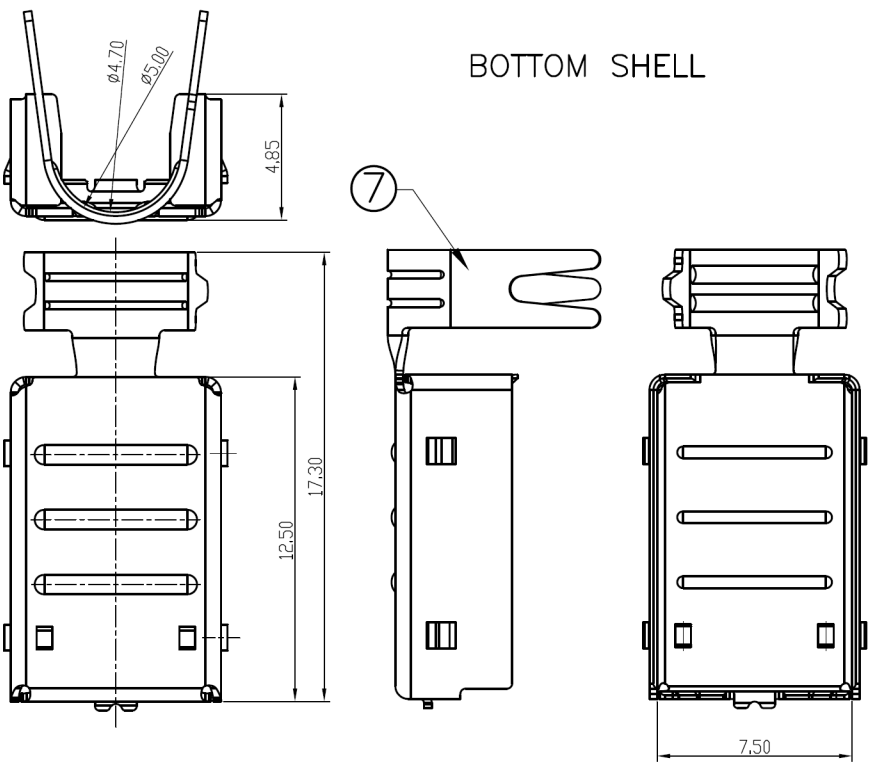
ITEM	PART NAME	Q'TY/EA	MATERIALS	NOTE
⑨	CLIP	1	THERMOPLASTIC	UL94V-0
⑧	TOP SHELL	1	SPCC	PLATED NICKEL
⑦	BOTTOM SHELL	1	SPCC	PLATED NICKEL
⑥	SHELL	1	ALLOY IRON	
⑤	BOTTOM COVER	1	THERMOPLASTIC	UL94V-0
④	TOP COVER	1	THERMOPLASTIC	UL94V-0
③	HOUSING	1	THERMOPLASTIC	UL94V-0
②	10P CONTACT	1	COPPER ALLOY	
①	9P CONTACT	1	COPPER ALLOY	

MATERIAL:	TOLERANCE UNSPECIFIED:
FINISH:	DRAWN:
	DESIGNER:
	CHECKED:
	APPROVED:

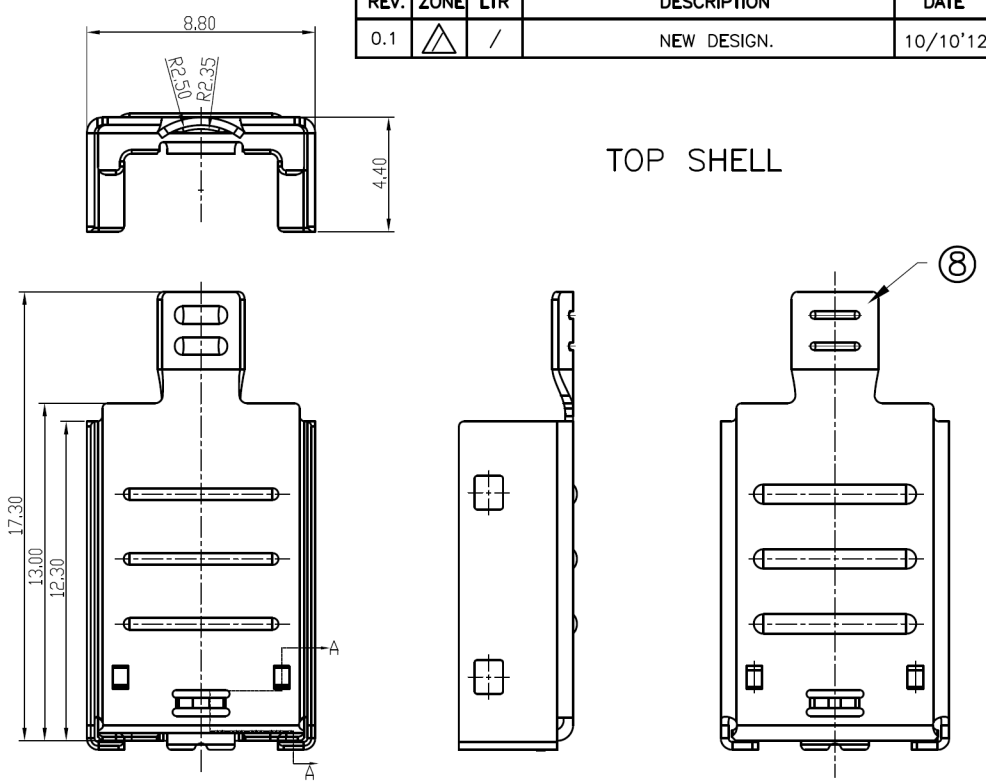
Part Code: HD-PE-DSF12-KIT	
SCALE: 1:1	UNIT: mm
NAME: HDMI-Type, Micro-D SOLDER CONNECTOR	SHEET: 1/2
DRAWING NO.:	REV.: 0.1

REV.	ZONE	LTR	DESCRIPTION	DATE	REVISER	APPD.
0.1	△	/	NEW DESIGN.	10/10'12		

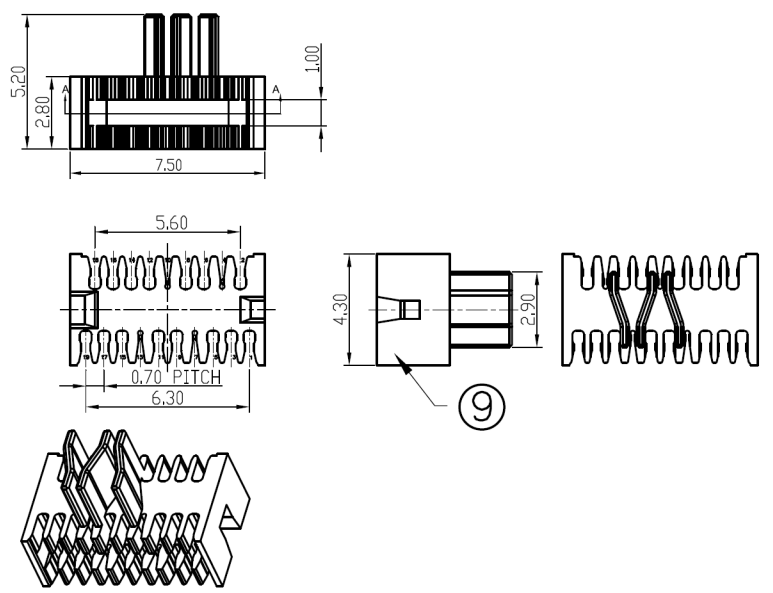
BOTTOM SHELL



TOP SHELL



CLIP(34AWG)



RoHS compliant

This is Not an HDMI.Org Approved Part



MATERIAL: X	TOLERANCE UNSPECIFIED:	Part Code: HD-PE-DSF12-KIT	
	.0 0 0 ± 0.15	SCALE: 1:1	UNIT: mm
FINISH: X	.0 0 ± 0.20	NAME: HDMI-Type, Micro-D SOLDER CONNECTOR	SHEET: 2 / 2
	.0 ± 0.30		
	ANGLE ± 1°	DRAWING NO.:	REV.: 0.1
	DRAWN:		
DESIGNER:			
CHECKED:			
APPROVED:			