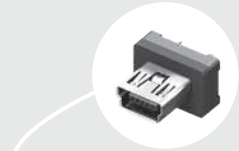




MUSBS-05-S-B-TH-TR



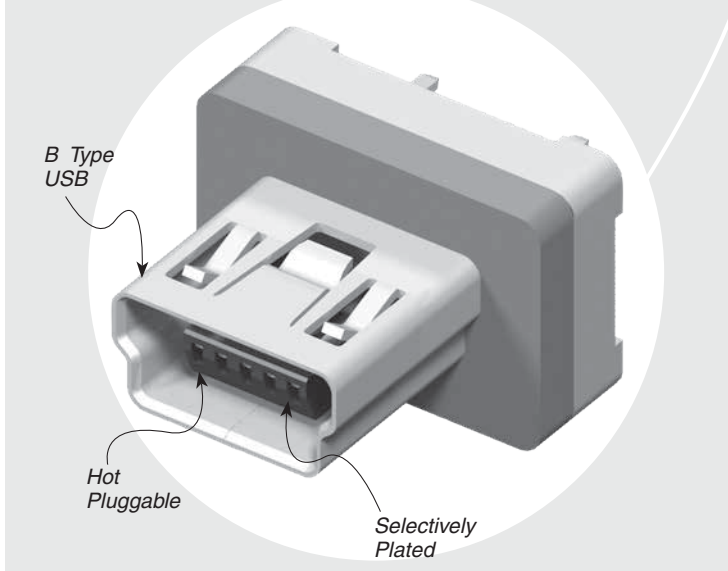
MUSBS-05-S-B-TH-TR

MUSBS SERIES

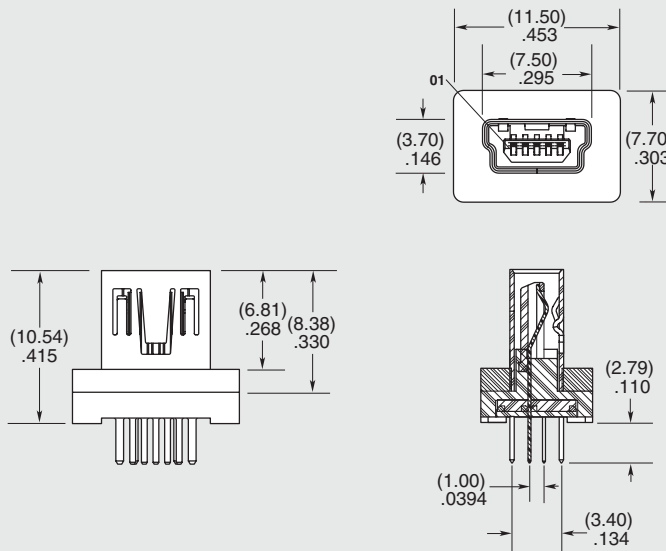
IP68 SEALED MINI USB PORT

SPECIFICATIONS

Insulator Material:
Black High Temperature Thermoplastic
Contact Material:
Phosphor Bronze
Shell Material:
Phosphor Bronze
Plating:
Gold on Mating Area, Nickel on Shell, Tin on Tails
Operating Temp Range:
-50 °C to +85 °C
Current Rating:
3.1 A per pin
(1 pin powered per row)
Voltage Rating:
30 VRMS
Minimum Cycles:
5000
RoHS Compliant:
Yes
Lead-Free Solderable:
Yes



MUSBS	NO. OF CONTACTS	PLATING	TYPE	TH	TR
MUSBS = Sealed Mini USB	-05	-S = 30 μ" (0.76 μm) Gold on Mating Area, Tin on Tails	-B = B Type		-TR = Tape & Reel Packaging



Due to technical progress, all designs, specifications and components are subject to change without notice.