

### Materials and Finish

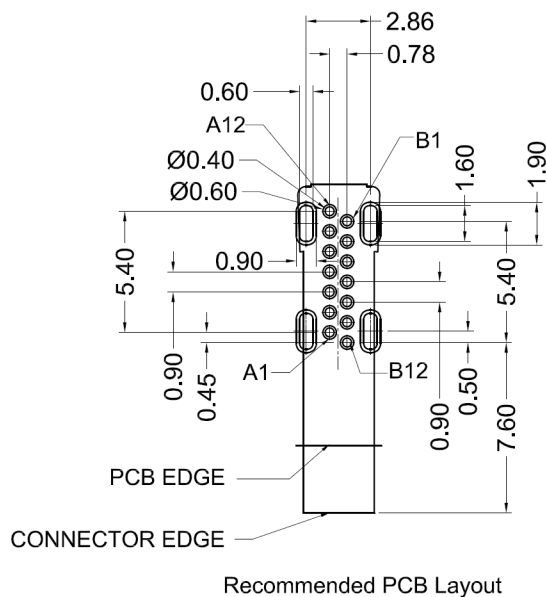
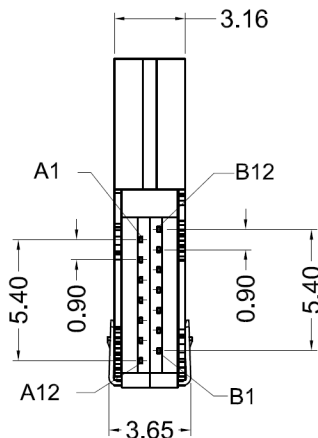
Insulator: High Temp.  
 UL94V-0 rated  
 Color- Black  
 Contact Material:  
 Copper Alloy  
 Plating:  
 Gold flash plated on both  
 contact area and soldertails  
 with nickel under plated  
 Shield: Stainless Steel,  
 Nickel plated

### Electrical Specifications

Current Rating:  
 3A Max.  
 Contact Resistance:  
 40 Milliohms Max.  
 Insulation Resistance:  
 100 Megohms Min.  
 Dielectric withstanding Voltage:  
 100V AC RMS for 1 Minute

### Mechanical Specifications

Insertion Force:  
 5N - 20N  
 Extraction Force:  
 8N - 20N  
 Durability:  
 10000 Cycles  
 Operating Temperature:  
 -30°C to 85°C



A1	GND	B12	GND
A4	Vbus	B9	Vbus
A5	CC1	B7	Dn2
A6	Dp1	B6	Dp2
A7	Dn1	B5	CC2
A9	Vbus	B4	Vbus
A12	GND	B1	GND
PIN	SIGNAL NAME	PIN	SIGNAL NAME



THE VITAL COMPONENT

**RoHS COMPLIANT**

Tolerances
X.X ± 0.35
X.XX ± 0.25
Unless Stated
Otherwise

REV.	DATE	DESCRIPTION	REV. BY	CHK. BY	DRAWN BY	DATE
A0.1	04/29/19	New Drawing	H. MA	D. Shehan	H. MA	04/29/19
A0.2	04/29/19	Removed T&R from PN	D. Shehan	C. Furumasa		
A1	07/23/19	Release Drawing	C. Kelleher	D. Shehan		

**KUSBX-SL-CS1N14-B**

Upright USB Type C, 14pins

**RoHS Compliant**

