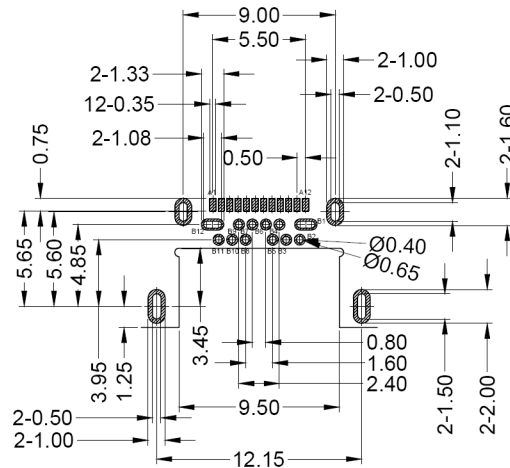
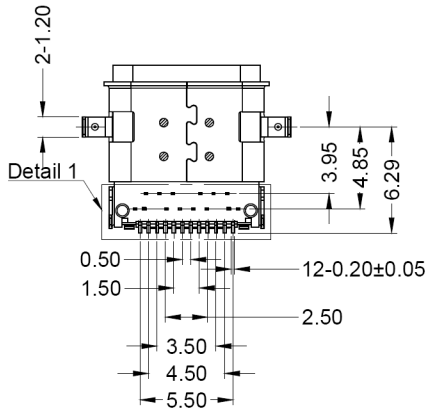


Pin	Name	Pin	Name
A1	GND	B12	GND
A2	SSTXp1	B11	SSTXp1
A3	SSTXn1	B10	SSTXn1
A4	VBUS	B9	VBUS
A5	CC1	B8	SUB2
A6	Dp1	B7	Dn2
A7	Dn1	B6	Dp2
A8	SVU1	B5	CC2
A9	VBUS	B4	VBUS
A10	SSRXn2	B3	SSTXn2
A11	SSRXp2	B2	SSTXp2
A12	GND	B1	GND



Recommended PCB Layout  
Suggested PCB Thickness: 0.60 mm  
(Top View)

### Materials and Finish

Housing: High Temp Thermoplastic  
UL 94V-0 Rated, Black Color  
Shield: Stainless Steel, Nickel Plated  
Contact Material:  
Copper Alloy  
Contact plating:  
15u" Gold Plated on Contact Area,  
Tin Plated on Solder Tails,  
All over Nickel Underplate

### Electrical Characteristics

Rated Current:  
5.0A Inclusive (1.25A Ea.) For Pins  
A4, A9, B4, and B9 (VBUS)  
1.25A For pin B5 (VCONN)  
6.25A Inclusive For Pins  
A1, A12, B1, and B12 (GND)  
0.25A For All Other Pins  
Rated Voltage: 30V  
Insulation Resistance:  
100 Megohms Min. at 250V DC  
Contact Resistance:  
40 milliohms Max.  
Dielectric Withstanding Voltage:  
100V AC RMS for 1 Minute

### Mechanical Characteristics

Insertion Force: 5N - 20N  
Withdrawal Force: 8N - 20N  
Durability: 10000 Mating Cycles Min.  
Operating Temperature:  
-40°C to +80°C



Tolerances
X.X ± 0.25
X.XX ± 0.15
Unless Stated
Otherwise

REV.	DATE	DESCRIPTION	REV. BY	CHK. BY	DRAWN BY	DATE
A0.1	05/17/19	New Drawing	G. Serrato	D. Shehan	G. Serrato	05/17/19
A0.2	05/20/19	Add Part Number	G. Serrato	D. Shehan		
A1	09/27/19	Release Drawing	C. Kelleher	D. Shehan		

KUSB67X-MM-CS1-B15TR

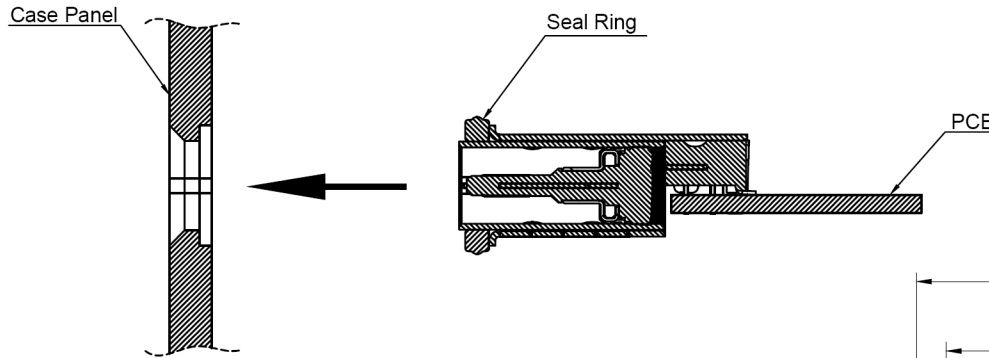
UNITS  
mm

Sheet 1 of 2

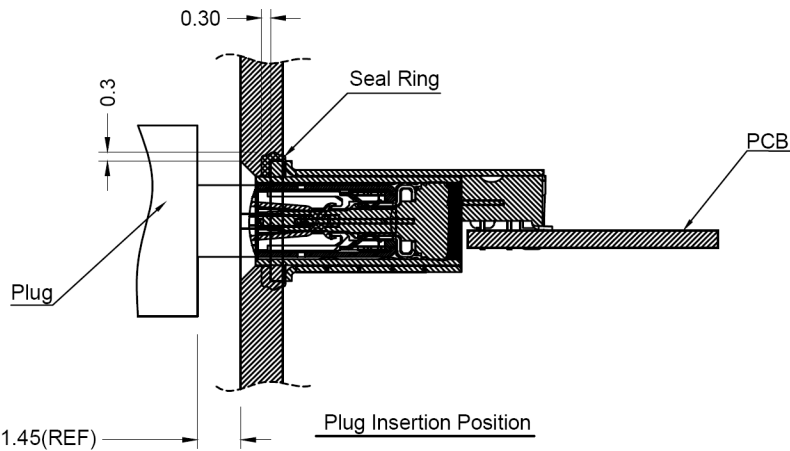
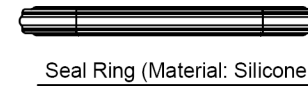
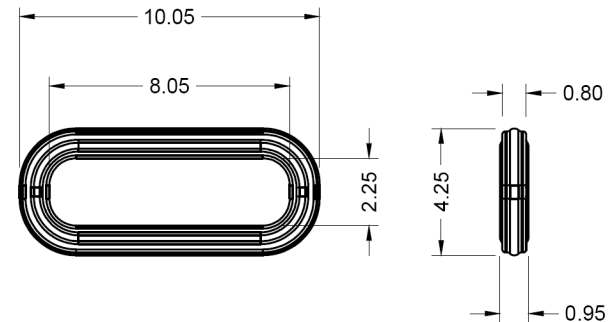
USB 3.2 Gen 2 Type-C Socket,  
IP67, Mid Mount, Black, 15u", T/R



# Suggested Mounting Information



Suggested shrinkage value is 40% ~ 50% diameter of the seal ring.



**RoHS COMPLIANT**

Tolerances
X.X ± 0.25
X.XX ± 0.15
Unless Stated
Otherwise

DRAWN BY	DATE
G. Serrato	05/17/19
	UNITS
	mm

**KUSB67X-MM-CS1-B15TR**

USB 3.2 Gen 2 Type-C Socket,  
IP67, Mid Mount, Black, 15u", T/R

