



(4.00 mm) .1575"

**IJ5C SERIES**

# 50 Ω HIGH ISOLATION RF CABLE ASSEMBLY

## SPECIFICATIONS

**Insulator Material:** Black LCP  
**Contact Material:** Copper Alloy  
**Pin Material:** Copper Alloy  
**Dielectric Material:** Black LCP  
**Plating:** Au over 50 μ" (1.27 μm) Ni  
**Operating Temp Range:** -40 °C to +90 °C  
**RoHS Compliant:** Yes

**Cable (-1):**  
**Conductor Size:** 26 AWG, (0.48 mm) .019" dia.  
**Conductor Material:** Silver Plated Copper  
**Insulator Diameter:** (1.27 mm) .050"  
**Insulator Material:** Foamed FEP  
**Shield Material:** Silver Plated Copper  
**Jacket Material:** FEP  
**Jacket Diameter:** (1.80 mm) .071"  
**Bend Radius:** 3.175 mm  
**Impedance:** 50 Ω  
**Current Rating:** 2.5 A RoHS Compliant: Yes

**Cable (-2):**  
**Conductor Size:** 26 AWG, (0.51 mm) .020" dia.  
**Conductor Material:** Silver and Copper Plated Steel Wire  
**Insulator Diameter:** (1.52 mm) .060"  
**Insulator Material:** PTFE  
**Shield Material:** Silver Plated Copper Wire  
**Jacket Material:** FEP  
**Jacket Diameter:** (2.54 mm) .100"  
**Bend Radius:** 12.7 mm  
**Impedance:** 50 Ω  
**Current Rating:** 5 A DC  
**RoHS Compliant:** Yes

Mates with:  
IP5

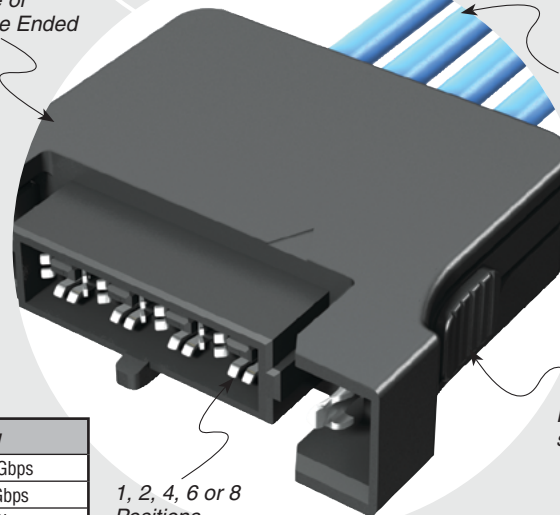
**EDGE RATE**<sup>®</sup>  
CONTACT



- Edge Rate<sup>®</sup> Contacts
- Positive Latching

Single or Double Ended

High-performance 26 AWG coax cable



Positive latching system

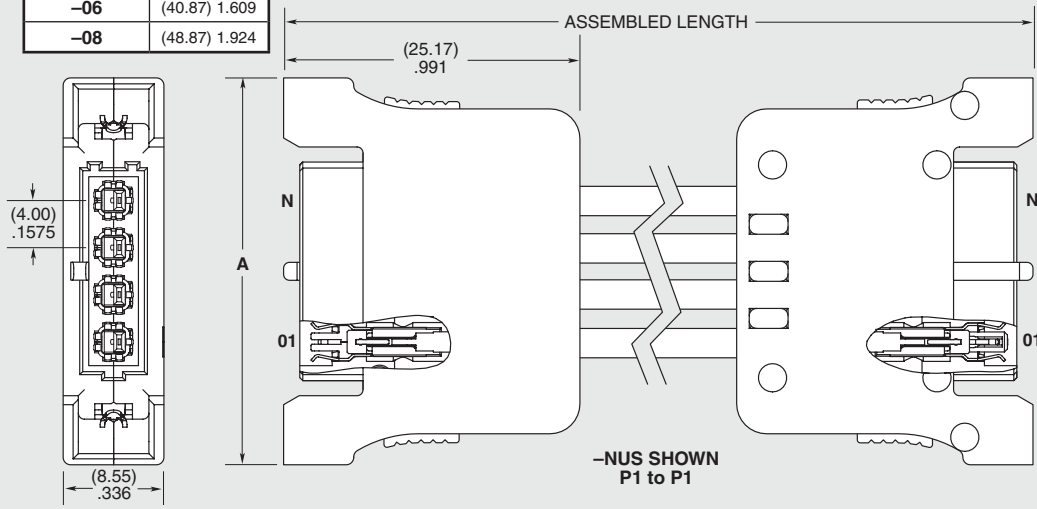
1, 2, 4, 6 or 8 Positions

1 Meter Cable Assembly	Frequency
Insertion Loss = 3 dB	9.5 GHz / 19.0 Gbps
Return Loss = 15 dB	2.2 GHz / 4.4 Gbps
Isolation = 60 dB	3.1 GHz / 6.2 Gbps

Performance and complete test data available at [www.samtec.com?IJ5C](http://www.samtec.com?IJ5C) or contact [sig@samtec.com](mailto:sig@samtec.com)

IJ5C	NO. OF POSITIONS	ASSEMBLED LENGTH	PLATING OPTION	END OPTION	END 2 OPTION	CABLE TYPE
	-01, -02, -04, -06, -08	- "XXXX" = Assembled Length in millimeters -0100 to -1000 (100 mm) 3.94" minimum	-S = 30 μ" (0.76 μm) Gold on contact	-S = Single Ended -D = Double Ended	-NUS = Notch up, straight P1 to P1 -NDS = Notch down, straight P1 to PN	-1 = CTB-2650F-01 cable -2 = RG 316 cable

NO. OF POSITIONS	A
-01	(20.87) .822
-02	(24.87) .979
-04	(32.87) 1.294
-06	(40.87) 1.609
-08	(48.87) 1.924



## RECOGNITIONS

For complete scope of recognitions see [www.samtec.com/quality](http://www.samtec.com/quality)



**Note:** This Series is non-standard, non-returnable.