



**POWER[™]
STRIP/30**



MPCC-2-16-2-L-44-04.00-D-NUS

(5.00 mm) .197" (PWR) (2.00 mm) .079" (SIG)

MPCC SERIES

POWERSTRIP[™]/30 CABLE ASSEMBLY

SPECIFICATIONS

For complete specifications see www.samtec.com?MPCC

Insulator Material:
Black LCP
Contact Material:
Signal: BeCu
Power: Copper Alloy

Plating:
Sn or Au over
50 μ" (1.27 μm) Ni

Current Rating:
Signal Pin (24 AWG):
3.4 A per pin
(4 adjacent pins powered)
Power Pin (14 AWG):
23.2 A per pin
(1 pin powered)

Operating Temp Range:
-10 °C to +105 °C

Voltage Rating:
300 VAC

RoHS Compliant:
Yes
Lead-Free Solderable:
Yes

Mates with:
MPTC

Single or
Double Ended

16 or 24
Signal pins

Dual leaf blade
contacts

Positive
latching
system

RECOGNITIONS

For complete scope of recognitions see www.samtec.com/quality



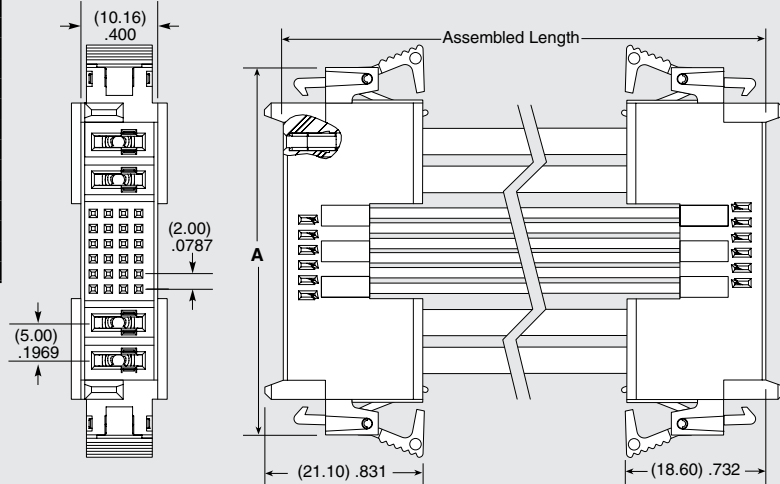
COMPONENTS

- For body, see www.samtec.com?IMSC5
- For contacts, see www.samtec.com?CC81L
www.samtec.com?CC81R
www.samtec.com?CC46L
www.samtec.com?CC46R

MPCC	2	SIG PINS	2	PLATING OPTION	LEAD STYLE	LENGTH	END 1 OPTION	END 2 OPTION
	-16 = Total Signal Pins		-24 = Total Signal Pins	-L = 10 μ" (0.25 μm) Gold on contact, Tin on tail (Power & Signal)	Specify LEAD STYLE from chart	"XX.XX" = Assembled Length in Inches (101.60 mm) 04.00" min.	-S = Single End -D = Double End	(Available with -D only) -NUS = Notch up, straight (Pin A1 to Pin AX)
				-T = Tin on contacts and tail (Power), Gold on contact, Tin on tail (Signal)				

LEAD STYLE	PWR/SIG	AWG
-44	PWR	14
	SIG	24
-46	PWR	14
	SIG	26
-48	PWR	14
	SIG	28
-40	PWR	14
	SIG	30
-64	PWR	16
	SIG	24
-66	PWR	16
	SIG	26
-68	PWR	16
	SIG	28
-60	PWR	16
	SIG	30

SIGNAL PINS	A
16	(44.55) 1.754
24	(48.55) 1.911



Note:
Some sizes, styles and options are non-standard, non-returnable.