

PESS-08-12-L-06.00-SR

PESS-04-10-L-06.00-SR

**PESS SERIES**

**(6.35 mm) .250"**

# POWERSTRIP™/40 CABLE ASSEMBLY

## SPECIFICATIONS

For complete specifications see [www.samtec.com?PESS](http://www.samtec.com?PESS)

**Insulator Material:**

Nylon Black

**Contact Material:**

Copper Alloy

**Plating:**

Sn or Au over 50 μm (1.27 μm) Ni

**Latch:**

Nylon Black

**Operating Temp Range:**

-30 °C to +105 °C

**Voltage Rating:**

600 VAC

846 VDC

**Wire:**

10 or 12 AWG

**RoHS Compliant:**

Yes

Mates with:

PET

PESS/PET	
WIRE GAUGE	CURRENT RATING (PER PIN)
10 AWG	34.5 A
12 AWG	29.7 A
1 PIN POWERED	

Dual leaf blade contacts

10 or 12 AWG discrete wire cable

Positive latching system



(6.35 mm) .250" pitch

## RECOGNITIONS

For complete scope of recognitions see [www.samtec.com/quality](http://www.samtec.com/quality)



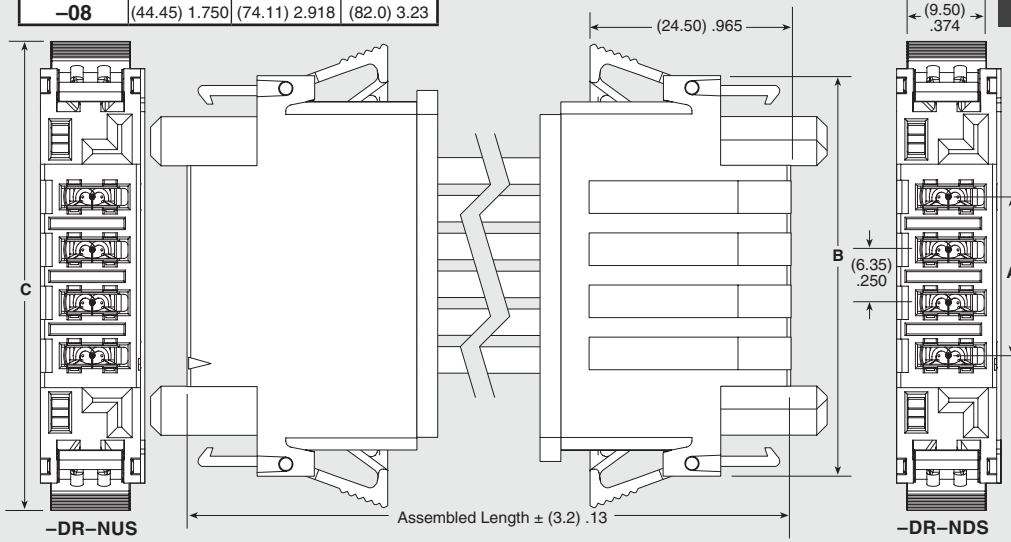
FILE NO. E111594

## COMPONENTS

- For body, see [www.samtec.com?IPS6](http://www.samtec.com?IPS6)
- For contacts, see [www.samtec.com?CC10L](http://www.samtec.com?CC10L) [www.samtec.com?CC10R](http://www.samtec.com?CC10R)

PESS	NO. OF POSITIONS	WIRE GAUGE	PLATING OPTION	ASSEMBLED LENGTH	END 1 OPTION	END 2 OPTION
-02, -04, -06, -08		-10 -12	-L = 10 μm (0.25 μm) Gold on contact, Matte Tin on tail  -T = Matte Tin	-“XX.XX” = Wire Length in inches (152.4 mm) 06.00" min.	-SR = Single End  -DR = Double End	(Available with -DR only)  -NUS = Notch up, straight  -NDS = Notch down, straight

NO. OF POSITIONS	A	B	C
-02	(6.35) .250	(36.01) 1.418	(43.9) 1.73
-04	(19.05) .750	(48.71) 1.918	(56.6) 2.23
-06	(31.75) 1.250	(61.41) 2.418	(69.3) 2.73
-08	(44.45) 1.750	(74.11) 2.918	(82.0) 3.23



## ALSO AVAILABLE (MOQ Required)

- Other platings

**Note:** Some sizes, styles and options are non-standard, non-returnable.