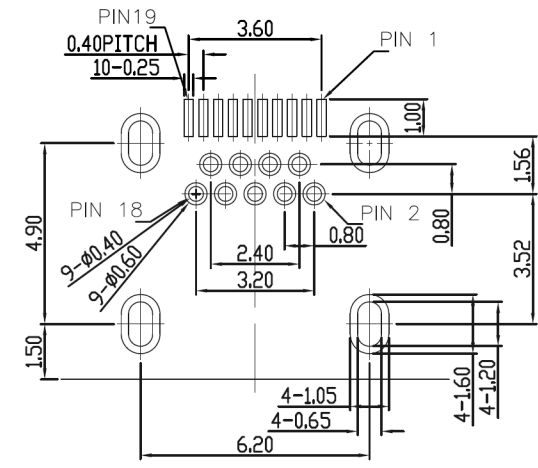
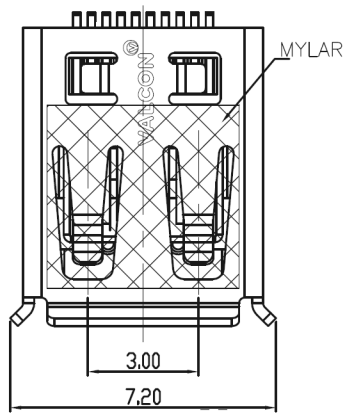
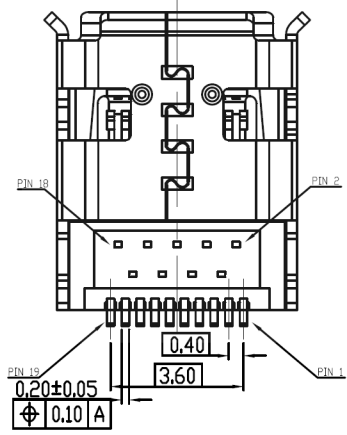
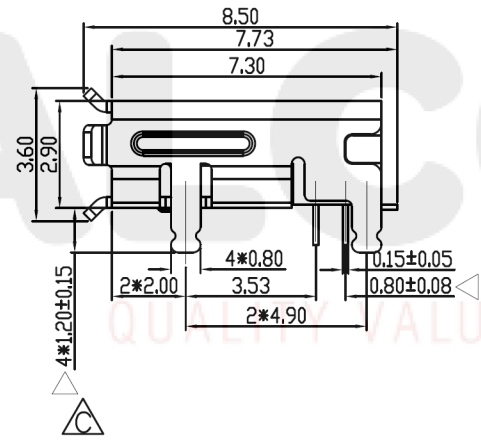
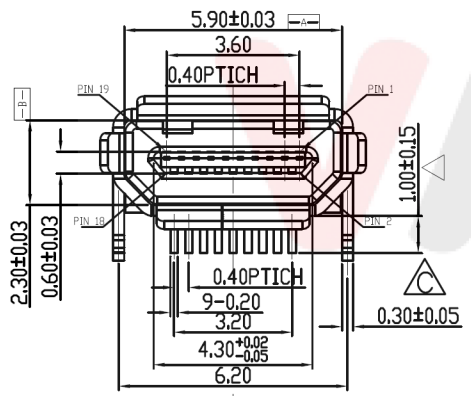


REV.	REVISOR NOTE	DATE
A	NEW DESIGN	2018-12-20
B	Change the color of insulator white to black	2019-01-23
C	Change Length of pins from 0.8mm to 1.0mm Change shell lug from 0.8mm to 1.2mm	2019-04-05



RECOMMENDED PCB LAYOUT THICKNESS = 0.8 mm  
TOLERANCE = ±0.05 (TOP VIEW)

- NOTES:
- MATERIAL:
    - SHELL: SUS304-1/2H T=0.3mm
    - HOUSING: LCP E130i+30%GF BLACK UL94V-0
    - TERMINAL: C5191R-H T=0.15mm
  - PLATING:
    - TERMINAL: GOLD PLATED OVER NICKEL ON CONTACT AREA
    - SHELL: NICKEL PLATED
- TERMINAL PLATING:  
CONTACT AREA: GOLD FLASH  
SOLDER AREA: MATTE TIN 100u"



SCALE	UNIT	DRAWN BY	DATE	TITLE:	
$\frac{\text{---}}{\text{---}}$	MM			Type D Micro HDMI Style PCB Socket	
$\text{---}$	SIZE	CHECKED BY	DATE	Hybrid Through Hole and SMT PCB Mount	
	A4			DRAWING NO.	
GENERAL TOLERANCES (UNLESS SPECIFIED)				PART NO.	
X.	± 0.30	X'	± 1'	HD-RA-DSF12-TR	
.X	± 0.20	.X'	± 0.5'	CUSTOMER DRAWING	
.XX	± 0.10			SHEET 1	
.XXX	± 0.05	APPROVED BY	DATE	REV. C	