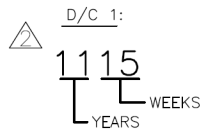
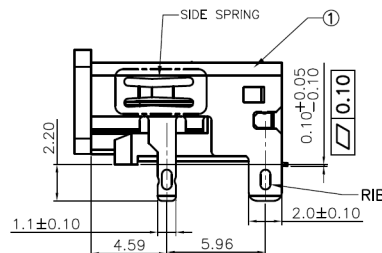
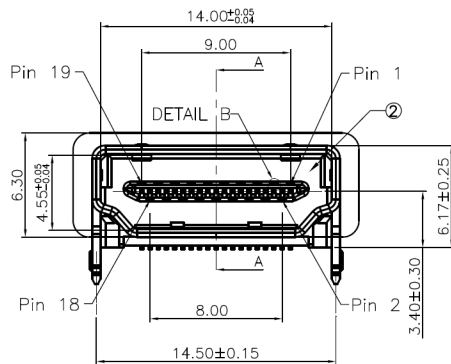
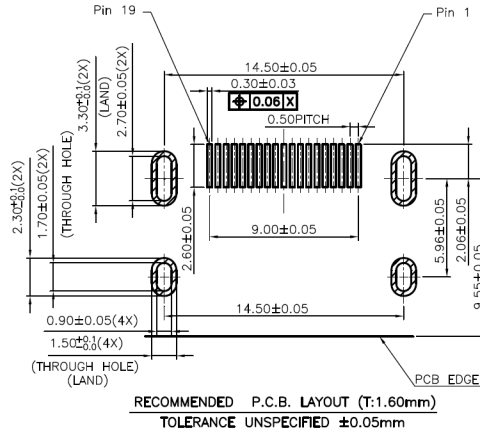
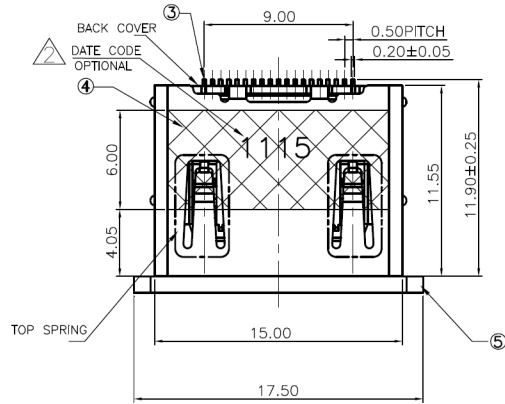


RoHS compliant

REV.	ZONE	LTR	DESCRIPTION	DATE	REVISER	APPD.
2.0	/	△2.0	ADD NEW SPEC	2017.12.21		
3.0	/	△3.0	ADD NEW SPEC	2018.09.07		
3.1	/	△3.1	ADD NEW SPEC	2019.04.16		



SPECIFICATIONS:

- MECHANICAL:**
 - 1.1 INSERTION FORCE: 44.1N MAX.
 - 1.2 WITHDRAWAL FORCE: 9.8N MIN.
- ELECTRICAL:**
 - 2.1 CONTACT CURRENT RATING: 0.5A MIN.
 - 2.2 VOLTAGE RATING: 40V AC(RMS)
 - 2.3 WITHSTANDING VOLTAGE:
 - 500 VOLTS AC BETWEEN ADJACENT TERMINAL(UNMATED)
 - 300 VOLTS AC BETWEEN ADJACENT TERMINAL(MATE)
 - 2.4 INSULATION RESISTANCE:
 - 100 MOHM MIN.(UNMATED); 10 MOHM MIN.(MATED)
 - 2.5 CONTACT RESISTANCE: 30 MILLIOHMS MAX.
- ENVIRONMENTAL:**
 - 3.1 OPERATING TEMPERATURE: -25°C TO +85°C

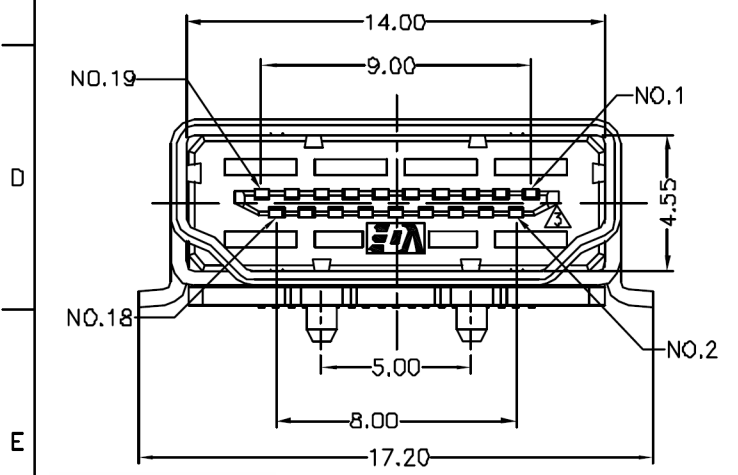
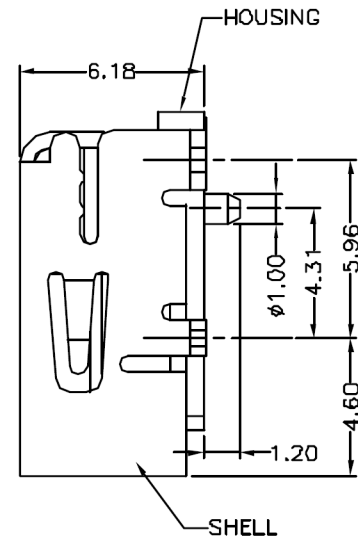
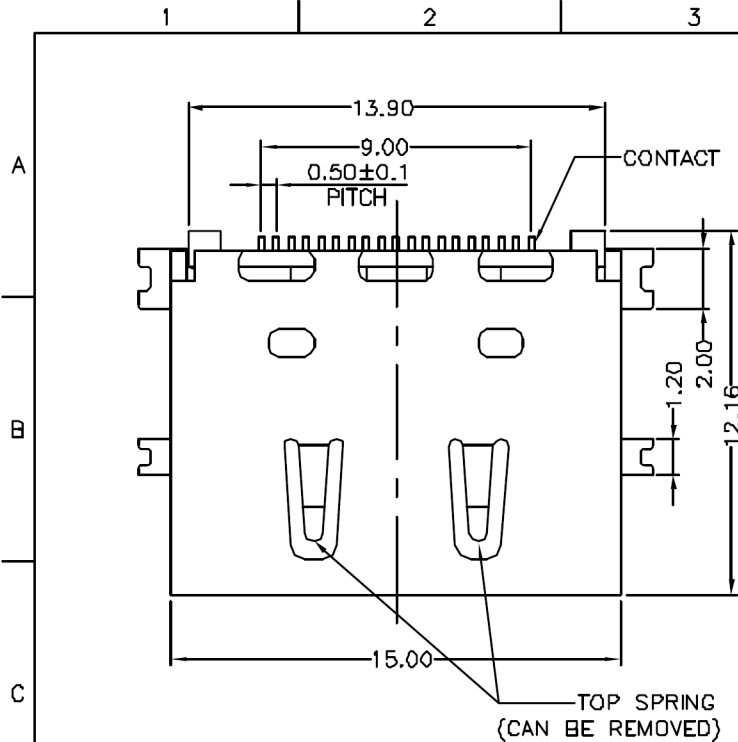
ITEM	PART NAME	Q'TY	MATERIAL	FINISH/COLOUR	NOTE
⑤	COVER	1	LCP+30%GF	BLACK	UL94 V-0
④	MYLAR(OPTION)	1	PI	YELLOW	
③	CONTACT	19	BRASS	SEE ORDERING INFORMATION	
②	HOUSING	1	LCP+30%GF	BLACK	UL94 V-0
①	SHELL	19	BRASS/SPCC	SEE ORDERING INFORMATION	

FWR02-01 REV:1.0

P/N **51U019S-331NA**

NAME: CUSTOMER DRAWING		UNIT: mm	SCALE: 1:1		
GENERAL TOLERANCE (UNLESS SPECIFIED) .0 0 0 ± 0.15 .0 0 ± 0.20 .0 ± 0.25 ANGLE ± 1°	DESIGNER:			TITLE: HDMI A TYPE FEMALE I/M WITHOUT FLANGE CONNECTOR	
	CHECKED:			PART NO.: SEE PART NO	SHEET: 1/1
	APPROVED:			DRAWING NO.: R-S151U-346	REV.: 3.1
SIZE: A4	the vital component				

REV	ZONE	LTR	DESCRIPTION	DATE	REVISER	APPD



ORDERING INFORMATION

51 U 019 S - 3 3 5 N - A
 (1) (2) (3) (4) (5) (6) (7) (8) (9)

- SERIES NO.
51: HDMI CONNECTOR
- TAIL CONSTRUCTION TYPE
U: SMT TYPE
- NUMBER OF PIN
019: 19 POSITIONS
- CONTACT & CONNECTION TYPE
S: SOCKET
3: BLACK
- COLOR CODES
3: BLACK
- CONTACT PLATING:
3: 30u" GOLD OVER NICKEL
- SHELL CONSTRUCTION
5: WITHOUT FLANGE AND WITH TOP SPRING
SOLDER TAIL IS SMT TYP
- SHELL PLATING
N: NICKEL PLATED
- SUFFIX NO.1
A: WITH LOGO

REMARKS:

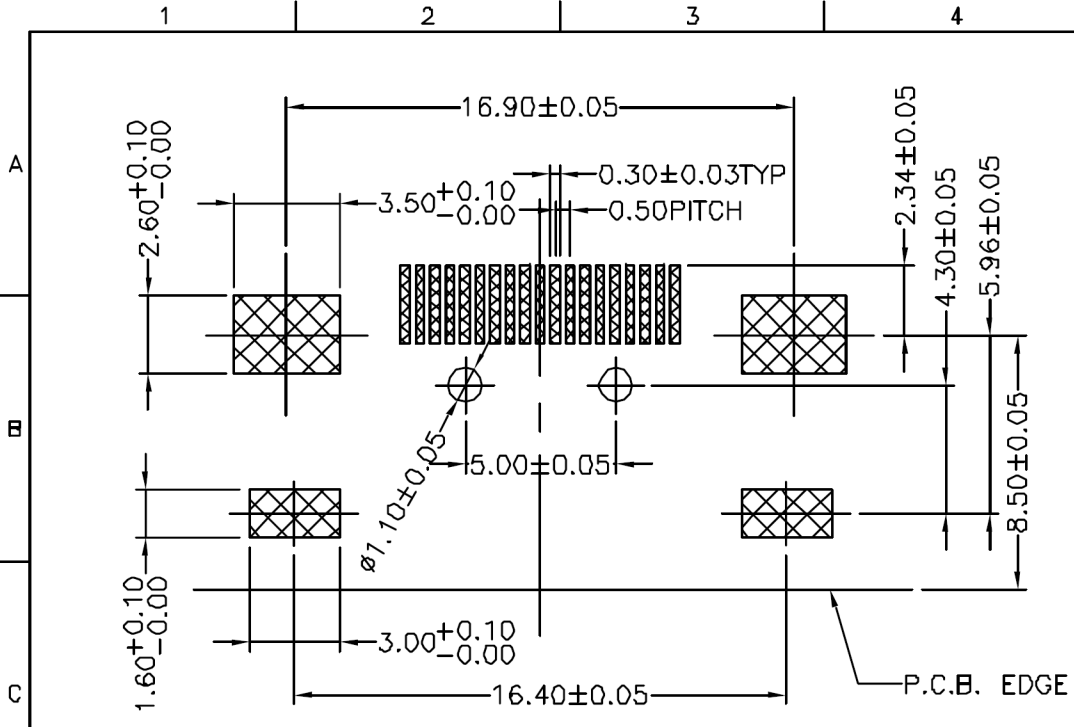
- MATERIAL:
1.1 HOUSING: HIGH TEMPERATURE THERMOPLASTIC
UL 94V-0 RATED
1.2 CONTACT: COPPER ALLOY
- PLATING:
2.1 CONTACT:
GOLD PLATED OVER NICKEL ON CONTACT AREA
AND 100u" MIN. TIN PLATED OVER NICKEL
ON SOLDER TAILS
2.2 SHELL:
TIN PLATED OVER NICKEL OR NICKEL PLATED

LEAD FREE

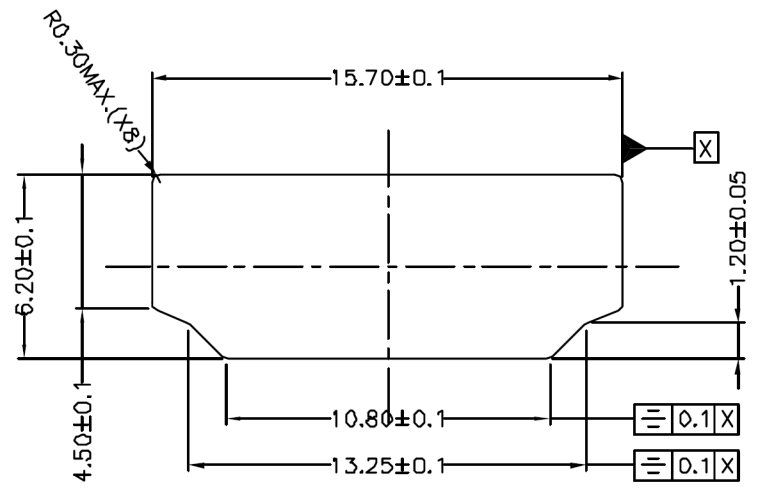


MATERIAL		TOLERANCE UNSPECIFIED		PART NO.	
/		±		the vital component	
		±0.20		SCALE 1:1 UNIT mm	
/		±0.25		DRAWN Winder D2/13.04	
		ANGLE ±1°		DESIGNER Winder 02/13.04	
FINISH		DRAWN		NAM	
/		CHECKED		HDMI RECEPTACLE SMT TYPE	
		APPROVED		WITHOUT FLANGE 19PIN	
		DRAWING NO. R-S151U-5		SHEET 1/2	
		REV 0.1		A4 RS151U51	

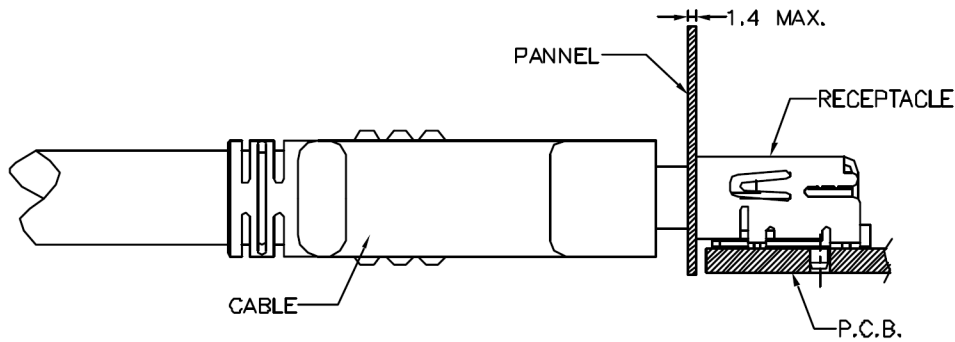
REV	ZONE	LTR	DESCRIPTION	DATE	REVISER	APPD



RECOMMENDED PCB LAYOUT (THICKNESS=1.6±0.15mm)



REFERENCE PANEL CUT OUT DIMENSION



REFERENCE MOUNT DIMENSION

LEAD FREE



MATERIAL		TOLERANCE UNSPECIFIED		PART NO.	
/		±		the vital component	
		±0.20		SCALE 1:1	
/		±0.25		UNIT mm	
		±		SHEET 2/2	
/		ANGLE ± 1°		NAME	
		DRAWN Winder 02/13.04		HDMI RECEPTACLE SMT TYPE	
/		DESIGNER Winder 02/13.04		WITHOUT FLANGE 19PIN	
		CHECKED		DRAWING NO. R-S151U-5	
/		APPROVED		REV 0.1	
		/		A4 RS151U52	