

**MODULAR JACKS AND PLUGS:  
G10X Series**

Dual Stack RJ45 Modular Jack with Gigabit magnetics

**Product Features**

Dual stacked RJ45 to reduce PCB footprint  
Includes magnetics to support 1000 Base-T applications  
Shielded for EMI suppression  
Snap in retention pegs

**Performance Specifications**

**Materials and Finish**

**Housing Material**

PBT Thermoplastic, UL 94V-0 Rated, Black Color

**Shield Material**

Brass, Nickel Plated

**Contact Material**

Phosphor Bronze

**Plating**

Nickel Underplating, 6µ" Gold Plate on Contact Area,  
Tin Plated on Solder Area

**Electrical Characteristics**

**Insulation Resistance**

500 Megohms Min.

**Contact Resistance**

20 milliohms Max.

**Dielectric Withstanding Voltage**

1500V AC for 1 Minute

**Mechanical Characteristics**

**Durability Rating**

750 Mating Cycles Min.

**Operating Temperature**

-40°C to +85°C

**Wave solder Temperature**

260°C for 5 sec.



Part Number

**G10X-288S7-QQ**

Part Number Builder

G10X	-	2	88	S7	QQ
Series		No. of Port	No. of Positions Contacts	Shield Option	Option

**Series**

G10X - Dual Stack RJ45 Modular Jack with Gigabit magnetics

**Number of Ports**

2 - 2 Port

**Number of Positions / Contacts**

88 - 8 Positions / 8 Contacts

**Shield Options**

S7 - Shielded

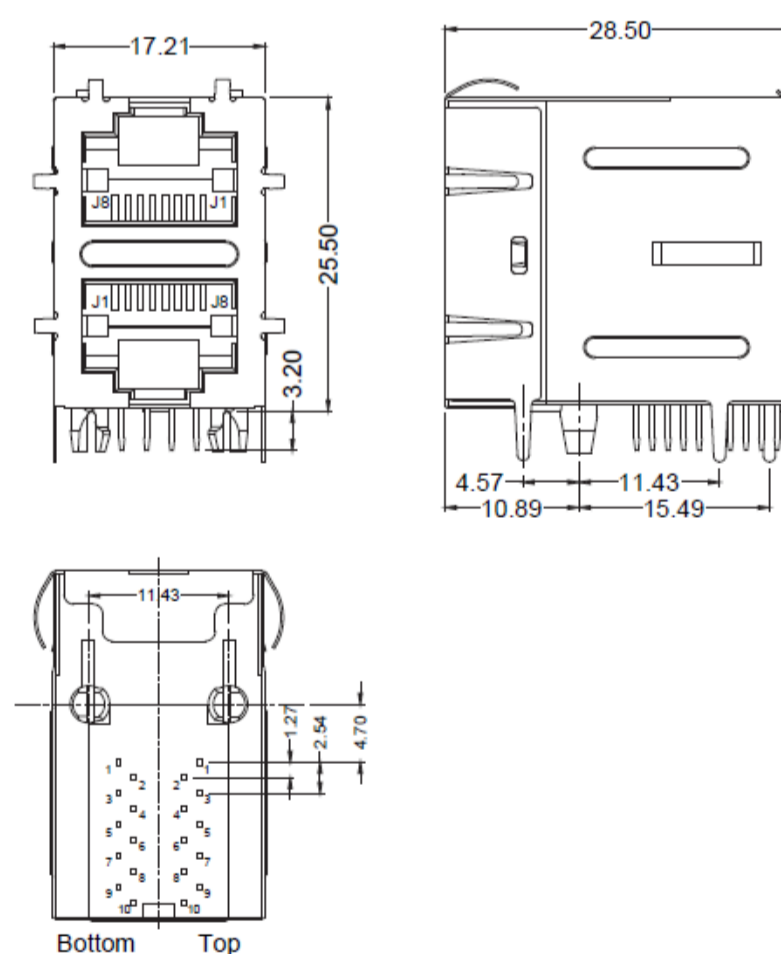
**Magnetics Package**

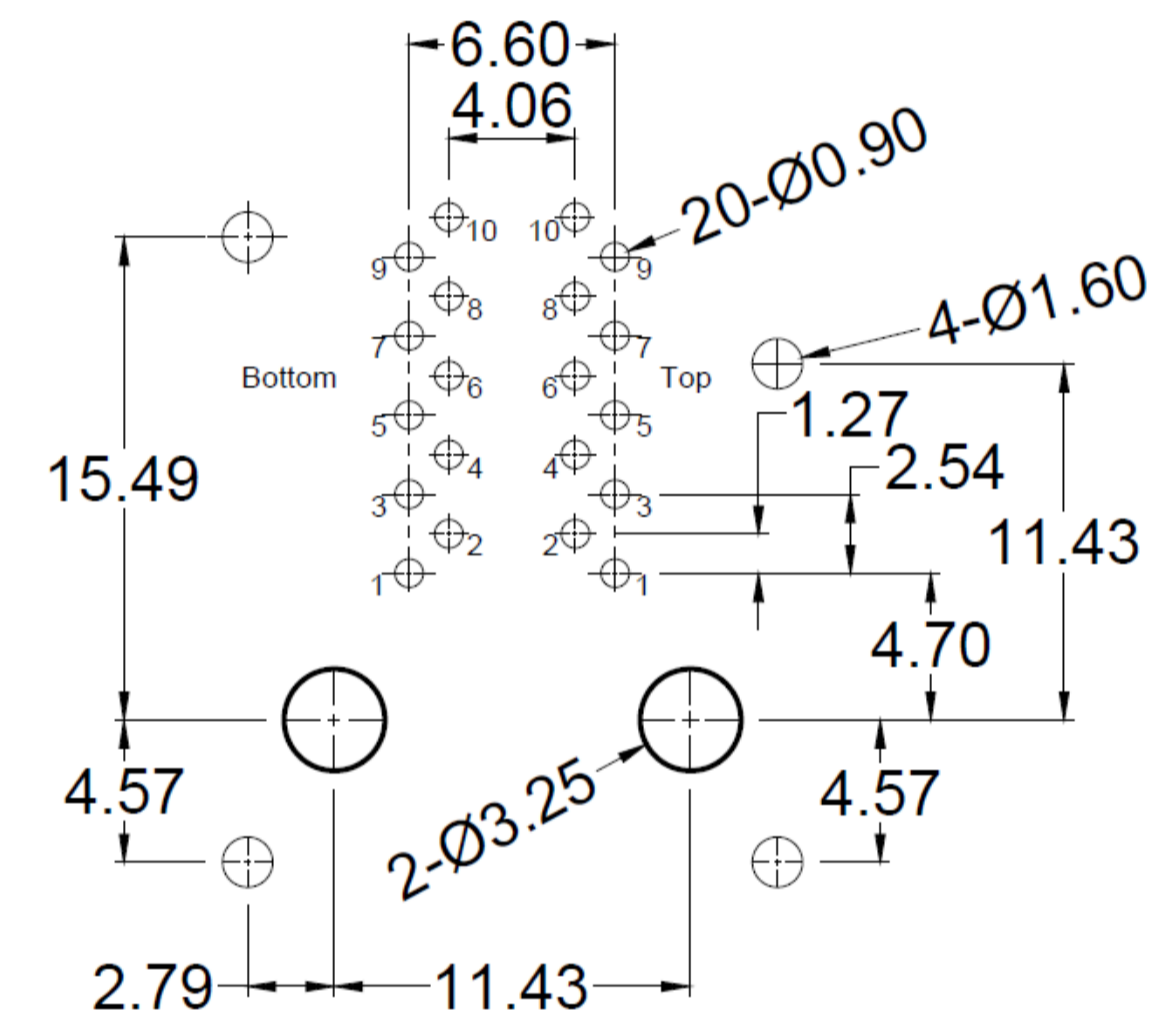
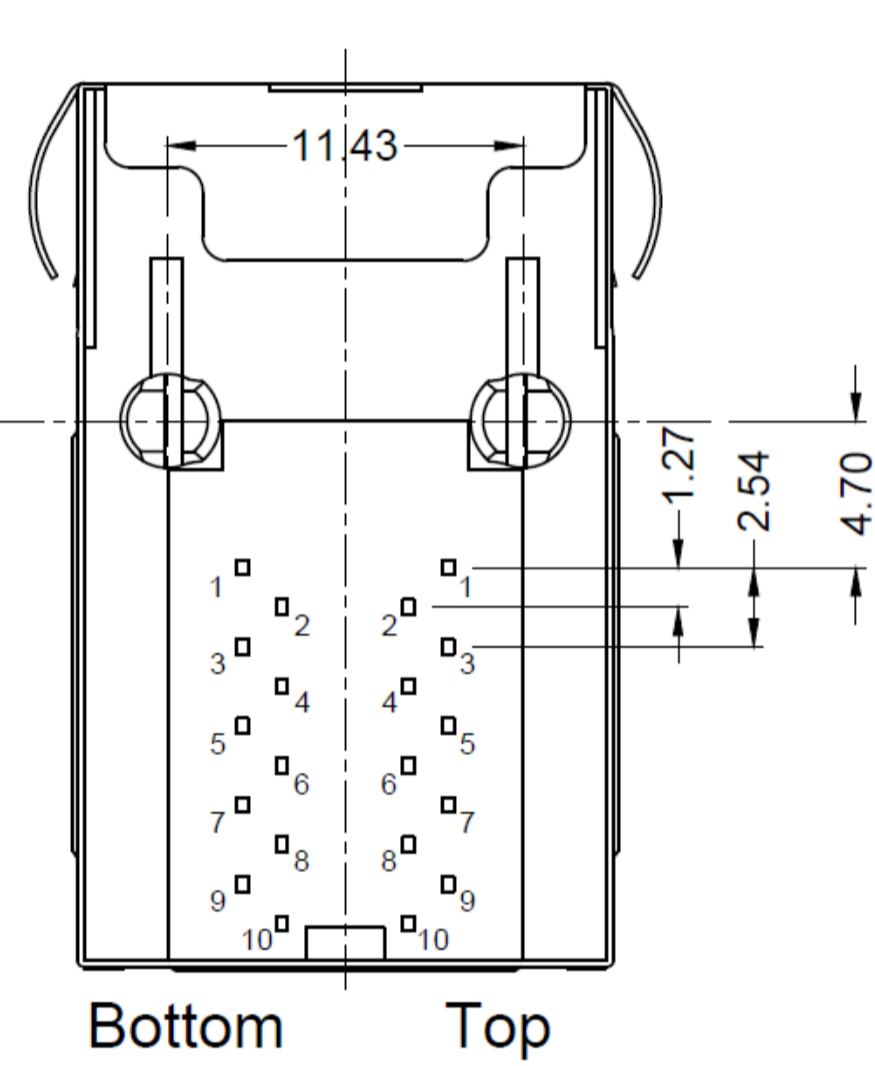
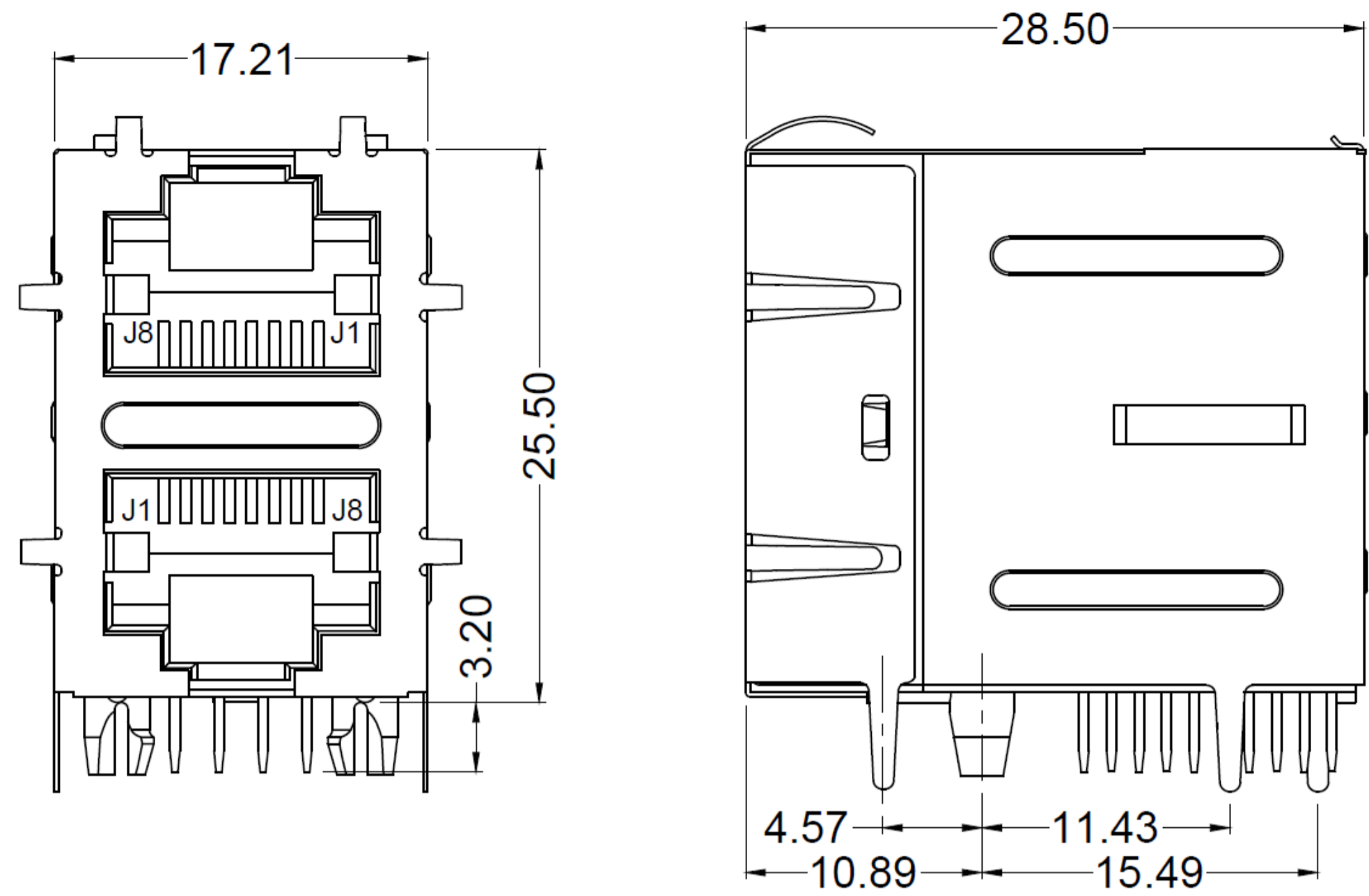
QQ - Gigabit

See Next Page for Schematics

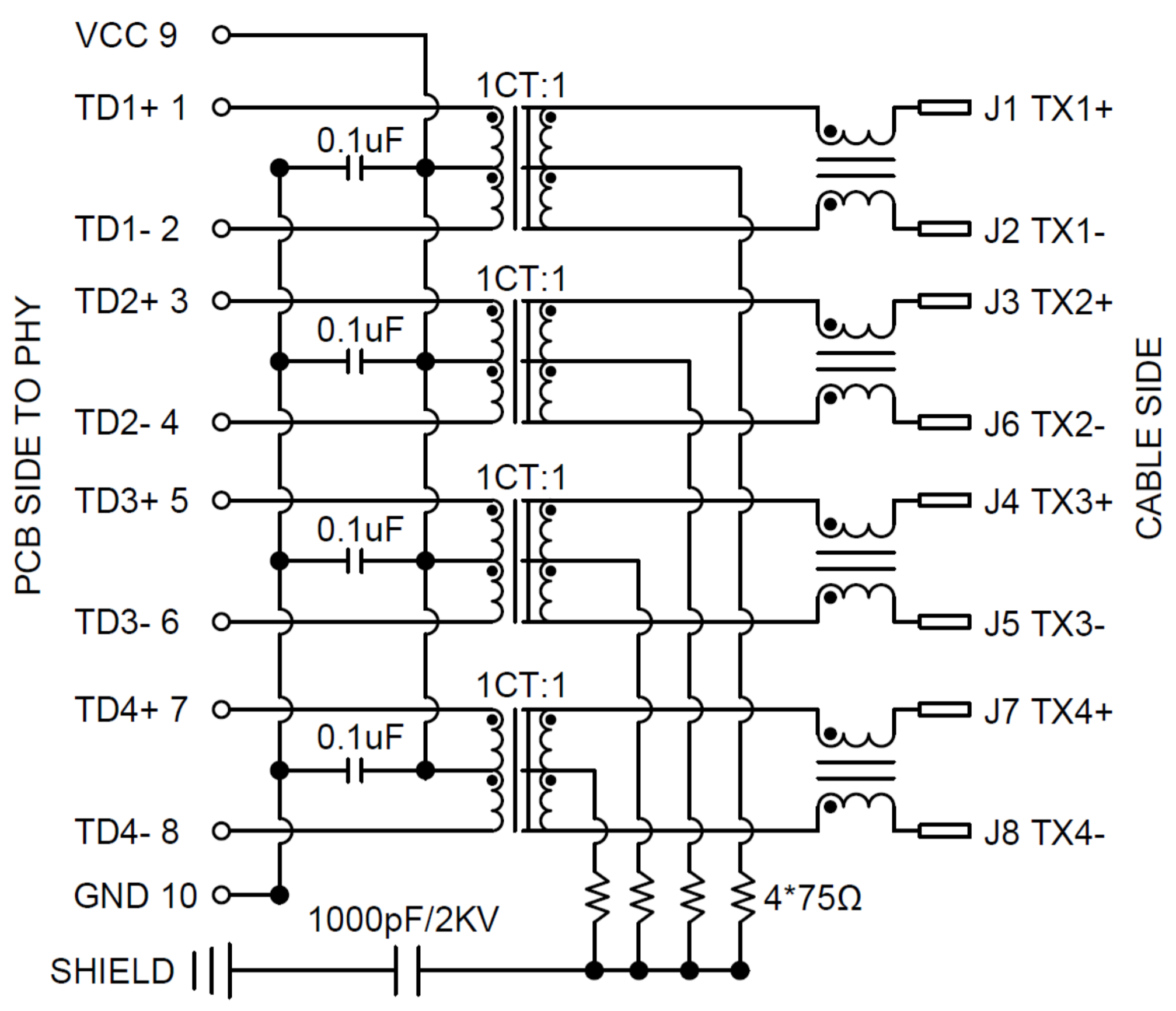
**G10X Series**

Dimensions in mm





Recommended PCB Layout  
(Top View)



**Materials and Finish**

Housing: PBT Thermoplastic  
UL 94V-0 Rated  
Color: Black

Shield: Brass, Nickel Plated

Contact Material:  
Phosphor Bronze

Plating:  
Nickel Underplating, 6µ" Gold Plate  
on Contact Area, Tin Plated  
on Solder Area

**Electrical Characteristics**

Insulation Resistance:  
500 Megohms Min.

Contact Resistance:  
20 milliohms Max.

Dielectric Withstanding Voltage:  
1500V AC for 1 Minute

**Mechanical Characteristics**

Durability Rating:  
750 Mating Cycles Min.

Operating Temperature:  
-40°C to +85°C

Wave solder Temp:  
260°C for 5 sec.

**Electrical Properties**

Insertion Loss (dB Typ)	Return Loss				Cross Talk			CMR (dB Min)	OCL (uH Min)
	at 100Ω	(dB Min)			(dB Min)				
1~100MHz	1~10MHz	10~30MHz	30~60MHz	60~80MHz	1~30MHz	30~60MHz	60~100MHz	1~100MHz	100KHz, 100 mV, 8mA DC
-1.0	-20	-16	-12	-10	-40	-35	-30	-35	350



**RoHS COMPLIANT**

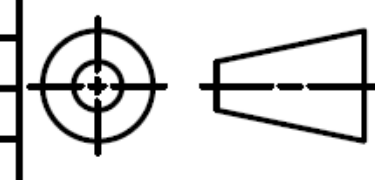
Tolerances
X.X ± 0.30
X.XX ± 0.25
Unless Stated Otherwise

REV.	DATE	DESCRIPTION	REV. BY	CHK. BY	DRAWN BY	DATE
A0	04/17/18	New Drawing	G. Serrato	C. Furumasu	G. Serrato	04/17/18
A0.1	05/29/18	Design Change	G. Serrato	D. Shehan	G. Serrato	04/17/18
A0.2	05/31/18	Updated Specs	D. Shehan			
A1	07/06/18	Release Drawing	D. Shehan	C. Kelleher		

**G10X-288S7-QQ**

Dual Stack RJ45, Gigabit Magnetics

[WWW.TOBY.CO.UK](http://WWW.TOBY.CO.UK)



UNITS  
mm