



Part Number

Part Number Builder

Series	No. of Positions/Contacts	Shield Option	Options	LED Color Option

MODULAR JACKS AND PLUGS:

G7LX-A Series

RJ45 Modular Jack with 10/100 magnetics and POE, LEDs

Product Features

- Includes magnetics to support 10/100 Base-T applications
- POE compatible
- LEDs for status indicators
- Shielded for EMI suppression
- Snap in retention pegs

Performance Specifications

Materials and Finish

Housing Material

PA66, UL 94V-0 Rated, Color: Black

Shield

Brass, Nickel Plated

Contact Material

Phosphor Bronze

Plating

Nickel Underplating, 6µ" Gold Plating on Contact Area,
Tin Plated on Solder Area

Electrical Characteristics

Insulation Resistance

750 Megohms Min.

Contact Resistance

20 milliohms Max.

Dielectric Withstanding Voltage

500V AC for 1 Minute

Mechanical Characteristics

Durability Rating

500 Mating Cycles Min.

Operating Temperature

-40°C to +85°C

Series

G7LX-A - RJ45 Modular Jack with 10/100 magnetics and POE, LEDs

Number of Positions / Contacts

88 - 8 Positions / 8 Contacts

Shield Options

S7 - Fully Shielded

Magnetics Package

BP - 10/100 with POE

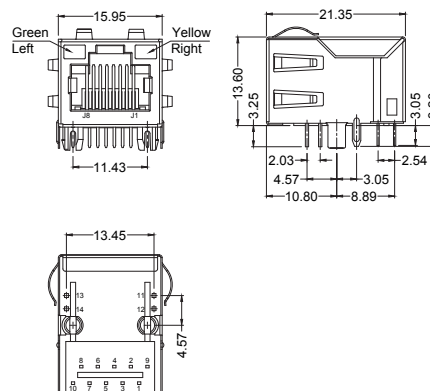
LED Color

G/Y - Green/Yellow

See Next Page for Schematics Options

G7LX Series

Dimensions in mm



Materials and Finish

Housing: PA66
UL 94V-0 Rated
Color: Black

Shield: Brass, Nickel Plated

Contact Material:
Phosphor Bronze

Plating:
Nickel Underplating, 6µ" Gold
Plating on Contact Area,
Tin Plated on Solder Area

Electrical Characteristics

Insulation Resistance:
750 Megohms Min.

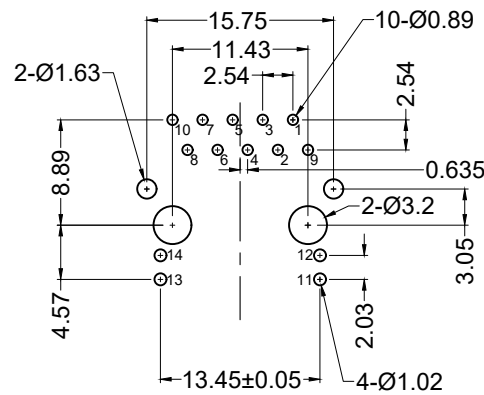
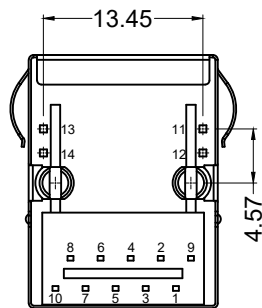
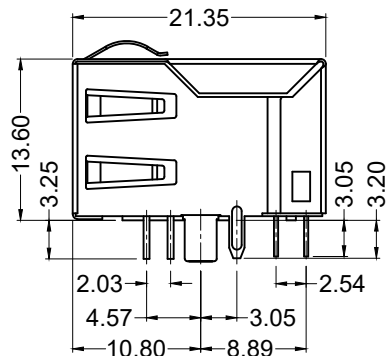
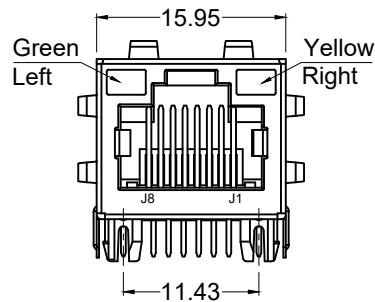
Contact Resistance:
20 milliohms Max.

Dielectric Withstanding Voltage:
500V AC for 1 Minute

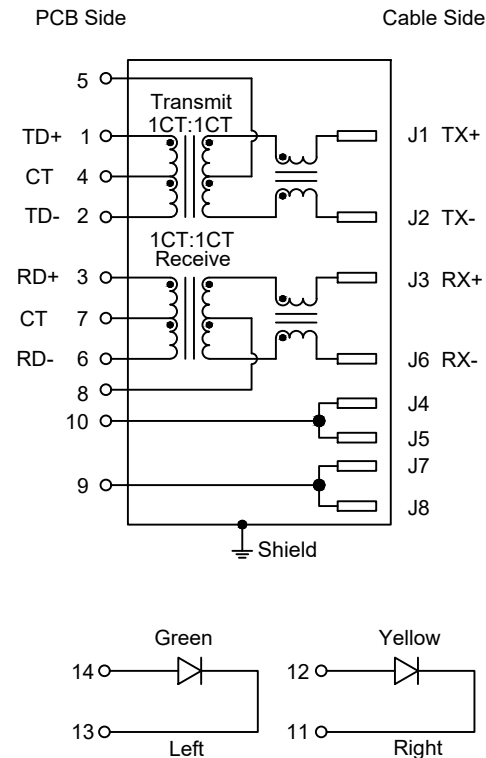
Mechanical Characteristics

Durability Rating:
500 Mating Cycles Min.

Operating Temperature:
-40°C to +85°C



Recommended PCB Layout
(Top View)



Insertion Loss (dB Typ)	Return Loss				Cross Talk			CMR (dB Min)	OCL (uH Min)
	at 100Ω	(dB Min)			(dB Min)				
1~100MHz	1~10MHz	10~30MHz	30~60MHz	60~80MHz	1~30MHz	30~60MHz	60~100MHz	1~100MHz	100KHz, 100 mV, 8mA DC
-1.0	-20	-16	-12	-10	-40	-35	-30	-35	350



RoHS COMPLIANT

Tolerances
X.X ± 0.35
X.XX ± 0.25
Unless Stated Otherwise

REV.	DATE	DESCRIPTION	REV. BY	CHK. BY	DRAWN BY	DATE
A0	05/09/18	New Drawing	G. Serrato	C. Furumasa	G. Serrato	05/09/18
A0.1	05/29/18	Design Change	G. Serrato	D. Shehan		
A0.2	05/31/18	Updated Specs	D. Shehan			
A1	07/13/18	Release Drawing	C. Kelleher	D. Shehan		

G7LX-A88S7-BP-G/Y

8P8C Mag Jack with POE

Green and Yellow LED

