



DC POWER CONNECTORS: KLDHCX Series

High Current PCB Mount DC Locking Type Power Jack

Product Features

- 2.0mm and 2.5mm.
- Built-In DC On/Off Switch
- To Be Used with Locking/Non-locking Tuning Fork Style Plug
- Laptop and Palm Computers, Portable Modems, Radar Detectors, and Other Portable Device Applications
- CSA/NRTL Certified File No. LR78160
- UL File No. E140125

Performance Specifications

Materials and Finish

- Plastic Housing:** PBT, UL94V-0 Rated, Black Color
- Center Pin:** Brass, Nickel Plated
- Contact #1:** Brass, Tin Plated
- Contact #2:** Phosphor Bronze, Tin Plated
- Contact #3:** Brass, Tin Plated

Electrical Characteristics

- Rated Current:** 5A
- Rated Voltage:** 24V RMS
- Insulation Resistance:** 50 Megohms Min. at 100 or 200V DC for 1 Minute
- Contact Resistance:** 30 milliohms Max.
- Dielectric Withstanding Voltage:** 250V AC Min. for 1 Minute

Mechanical Characteristics

- Durability Test:** 5000 Cycles
- Insertion Force:** 0.3kg Max.
- Extraction Force:** 0.3kg Min.



Generated Part Number

KLDHCX-0202-x-x-LT

Part Number Builder

KLDHCX-0202	A	P	LT
Series	Diameter	Lead Style	Type

Series

KLDHCX-0202 - High Current PCB Mount DC Power Jack

Diameter

- A - 2.0mm Center Pin Diameter
- B - 2.5mm Center Pin Diameter

Peg

- Blank - Without Peg
- P - With Peg

Type

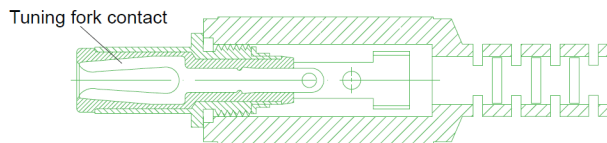
- LT - Locking Type

Contact Toby For Other Options

Recommended to be used with Kycon locking plug (tuning fork design):

KLDX-PA-0202-A-LT, KLDX-PA-0202-B-LT

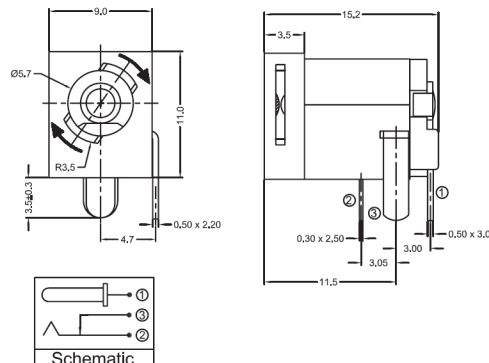
If used with non-locking plug, tuning fork design is required. See picture.

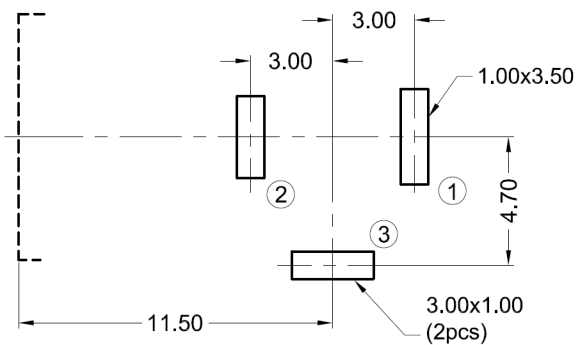
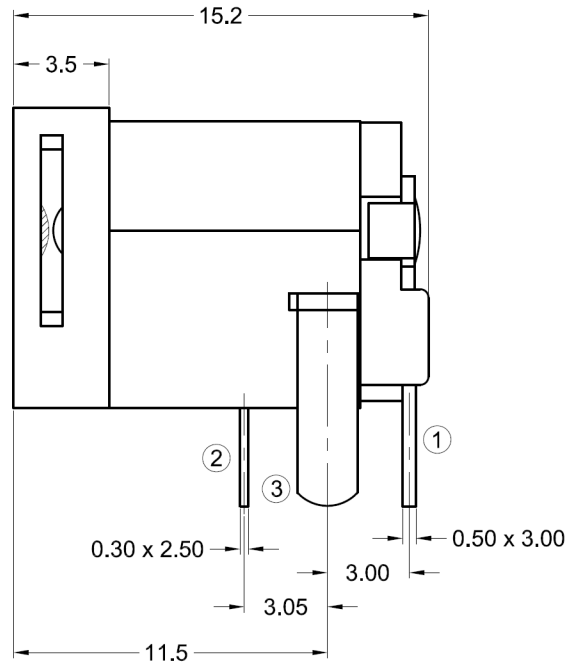
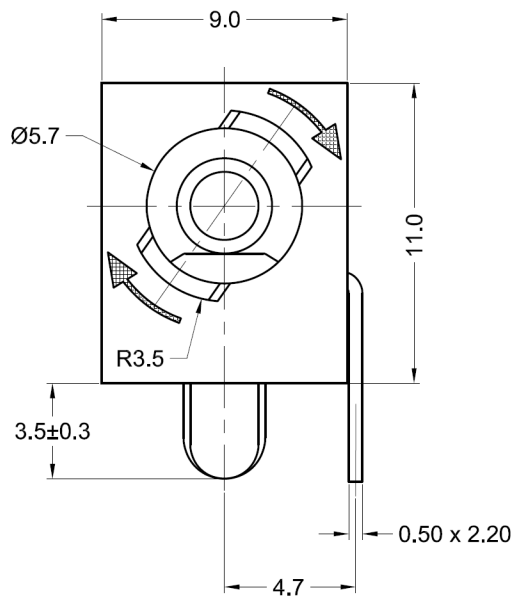


KLDHCX-0202 Series

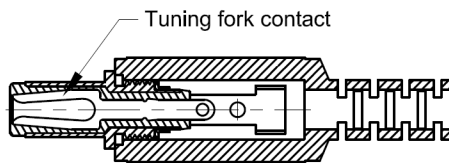
Dimensions in mm

KLDHCX-0202-x-LT





Recommended PCB Layout



Recommended to be used with Kycon locking plug (tuning fork design):
KLDX-PA-0202-A-LT, KLDX-PA-0202-B-LT

If used with non-locking plug, tuning fork design is required. See picture.

Material and Finish

Body: PBT Thermoplastic
UL94V-0, Color: Black
Center Pin: Brass, Nickel Plated
Contact #1: Brass, Tin Plated
Contact #2: Phosphor Bronze, Tin Plated
Contact #3: Brass, Tin Plated

Electrical Characteristics

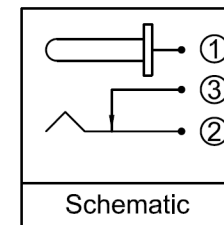
Rated Current: 5A
Rated Voltage: 24V DC
Insulation Resistance:
50 Megohms Min.
at 100 or 200V DC
for 1 minute

Contact Resistance: 30 milliohms Max.

Dielectric Withstanding Voltage:
250V AC Min.
for 1 minute

Mechanical Characteristics

Durability Test: 5000 cycles
Insertion Force: 3.0kg Max.
Extraction Force: 0.3kg Min.



Schematic

Part Number	Center Post Diameter
KLDHCX-0202-A-LT	Ø2.00
KLDHCX-0202-B-LT	Ø2.50



Tolerances
X.X ± 0.35
X.XX ± 0.25
Unless Stated Otherwise

REV.	DATE	DESCRIPTION	REV. BY	CHK. BY	DRAWN BY	DATE
A1	2/28/11	Release Drawing	P. DalCanto	N/A		
A2	12/12/11	ECO #11-080	S. Vien	H. MA	P. DalCanto	12/14/10
A3	03/23/12	ECO #12-013	S. Vien	H. MA		
A4	01/16/13	ECO #12-063	S. Vien	P. DalCanto		
A5	06/20/13	ECO #13-041	W. Cook	P. DalCanto		
A6	08/03/18	Address Update	G. Serrato	D. Shehan		

KLDHCX-0202-x-LT

Thru-hole, Locking DC Power Jack
High Current, RoHS Compliant

