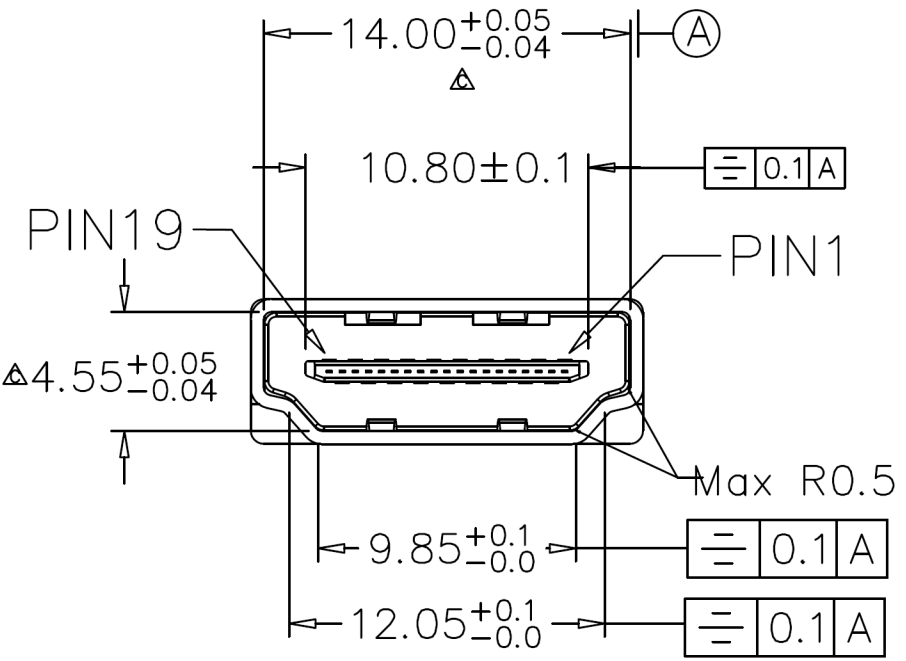
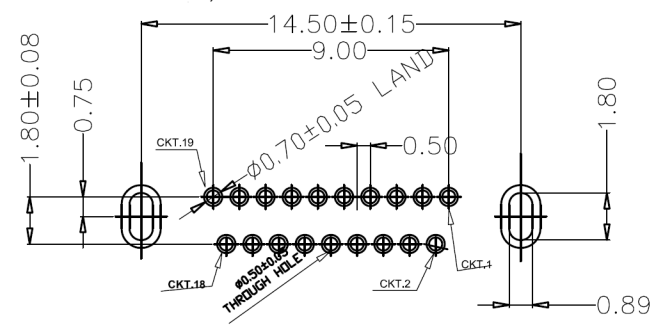
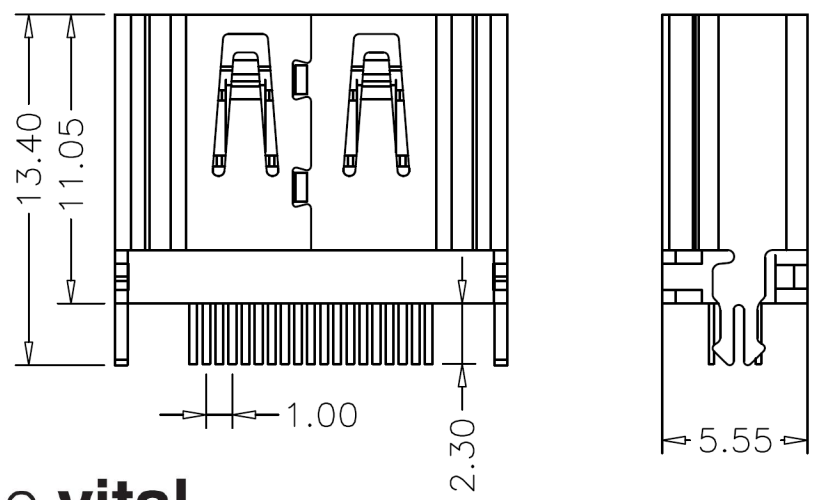


Rev	ECN NO.	B.Y.	Date



SPECIFICATION

- Electrical characteristics
 - Contact Current Rating: 0.5 A
 - Dielectric Withstanding Voltage: 300V AC
 - Insulation Resistance: a. Mate $100M\Omega$ MIN at 500V/DC
b. Unmate $10M\Omega$ MIN at 150V/DC
 - Contact Resistance: $30m\Omega$ MAX
 - Temperature Range: $-20^{\circ}C$ to $+85^{\circ}C$
- Mechanical
 - Mating Face: 44.1N MAX
 - Unmating Face: 9.8N MIN; 39.2N MAX
 - Durability: 10000 Cycles
- material:
 - HOUSING: THERMOPLASTICS HIGH TEMP LCP+GLASS
FIBER BLACK COLOR, UL94V-0
 - CONTACT: Copper Alloy, T=0.20MM
 - SHELL: Copper Alloy, T=0.50MM
- PLATING:
 - CONTACT: $1\sim 30\mu$ GOLD/TIN PLATING ON CONTACT AREA
 100μ MIN, TIN PLATING ON SOLDER TAILS
 50μ MIN, NICKEL UNDERPLATING OVER ALL
 - SHELL: 80μ Au, NICKEL UNDERPLATING OVER ALL



ceneal tolerance		angle tolerance		 VALCON TM <small>QUALITY VALUE COMPONENTS</small>					
.x	± 0.15	.x	$\pm 1.0^{\circ}$				dwg:	date:	ITEM:
.xx	± 0.10	.xx	$\pm 0.5^{\circ}$				13. 04. 01	13. 04. 01	HDMI-VTB-19S-GN5R1
.xxx	± 0.05	.xxx	$\pm 0.2^{\circ}$	MATL See Notes:		chk:	date:	dwg, no:	size:
SHEET: 1/1				appr:	date:	port, no:	rev:	A4	1.1
Unlt: mm									

the **vital**
component