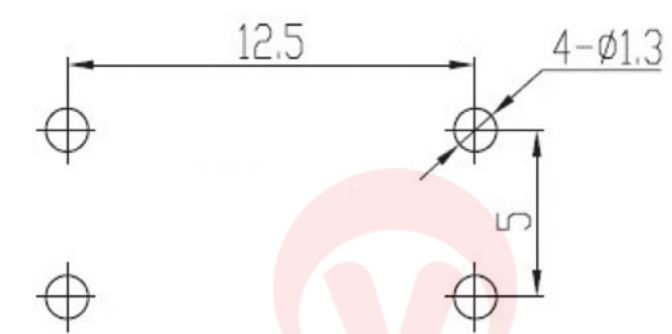
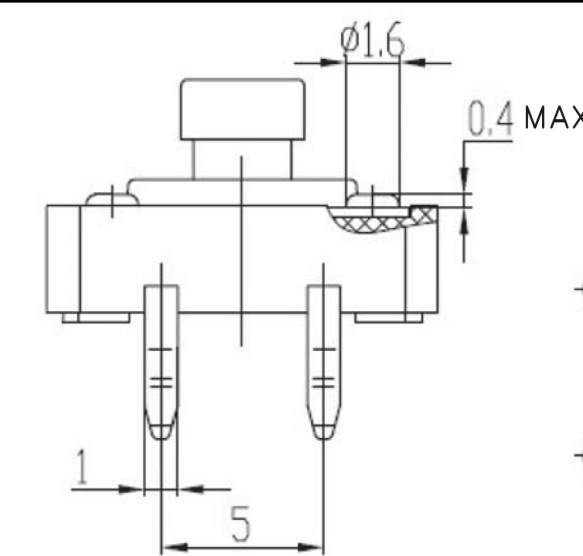
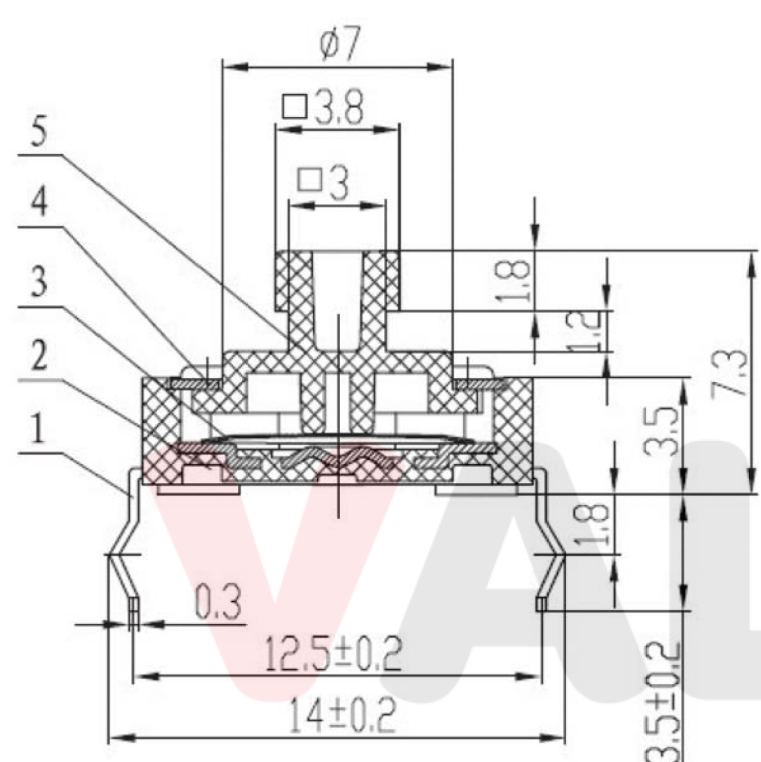


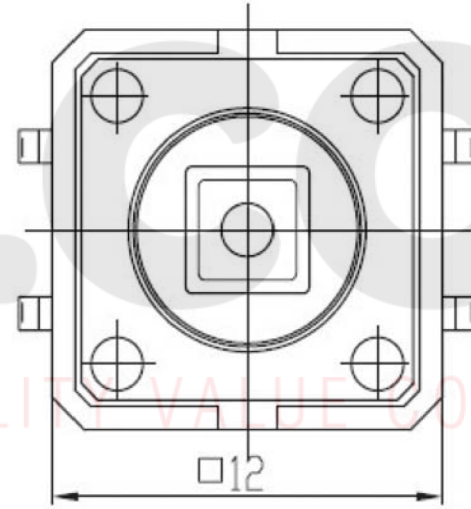
REV. 更改	DESCRIPTION 說明	ENG. 修改人	APPROVE 審核
------------	-------------------	-------------	---------------



P.C.B LAYOUT

- SPECIFICATIONS:
- 1.Rating: DC12V 50mA Max.
 - 2.Contact Resistance: $\leq 50m\Omega$ Max.
 - 3.Travel: $0.25 \pm 0.1mm$
 - 4.Operating Life: 100,000 cycles
 - 5.General Tolerance: $\pm 0.3mm$

Code "x"	Operating Force
None	$160 \pm 50gf$
R	$250 \pm 50gf$



NO.	NAME	MATERIAL	NATIONALITY	QTY.	FINISHING
1	TERMINAL	Brass	China	1	Silver plating
2	CASE	NY66	USA	1	Black
3	CONTACT	Phosphor bronze	Korea	1	Contact side silver plating
4	COVER	SPCC-SD	China	1	CuSn plating
5	STEM	NY66	USA	1	Black

ITEM NO. 料號	1263-x-67 -1263-x67
----------------	------------------------

UNLESS OTHERWISE SPECIFIED DIMENSIONS ARE IN MILLIMETERS ANGULAR TOLERANCE: $\pm 1.0^\circ$		USED 用途		APPD. 審核	Amy 2018/11/09
		FINISH 處理		CHKD. 校對	Polly 2018/11/09
DIMENSIONS		TOLERANCE		SCALE 比例	UNIT 單位
0.00 TO 30.00mm		$\pm 0.20mm$		/	mm
30.01 TO 80.00mm		$\pm 0.25mm$			
80.01 TO 150.00mm		$\pm 0.30mm$			
150.01 TO 300.00mm		$\pm 0.40mm$		DR. 製圖	Polly 2018/11/09
MATERIAL		TITLE 名稱			TACT SWITCH
		DWG NO. 圖號			SIZE 圖紙
		FILE NAME 檔案名稱			SHEET 張
					1/1
					REV. 更改
					1